

# ChargerAssembly

the future is in e-mobility

Electro-mobility is the most efficient way of decreasing usage of fossil fuels and reduce man-made CO2 emissions. Amphenol Tuchel Industrial is continuously working on the EV solution and supporting this process direct from Amphenol CZ production. HVCO(High Voltage Coupler Outlet) series is compliant with IEC 62196-1 and IEC 62196-3.

## mechanical characteristics

- mating cycles > 10 000 cycles unloaded
- insertion / withdrawal force <100N

## electrical characteristics

- rated current 80A, 200A, 250A,  
400A @ +40°C (continuous\*)  
500A @ +40°C (max. 15min \*)  
600A @ +40°C (until limit  
temperatures are reached \*\*)
- rated voltage 1000V DC
- insulation resistance > 100MΩ
- temperature sensor PT1000

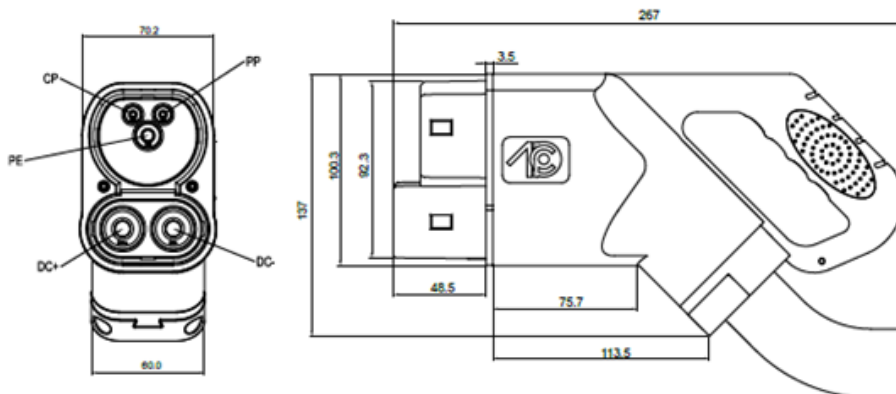


## environmental conditions

- protection degree IP44 (mated)
- operating temperature -30°C to +40°C  
max. 55°C (at current reduction)

## material

- shell nylon
- contact cooper alloy, silver plating
- inserts thermoplastic
- Insulator inflammability UL94V0

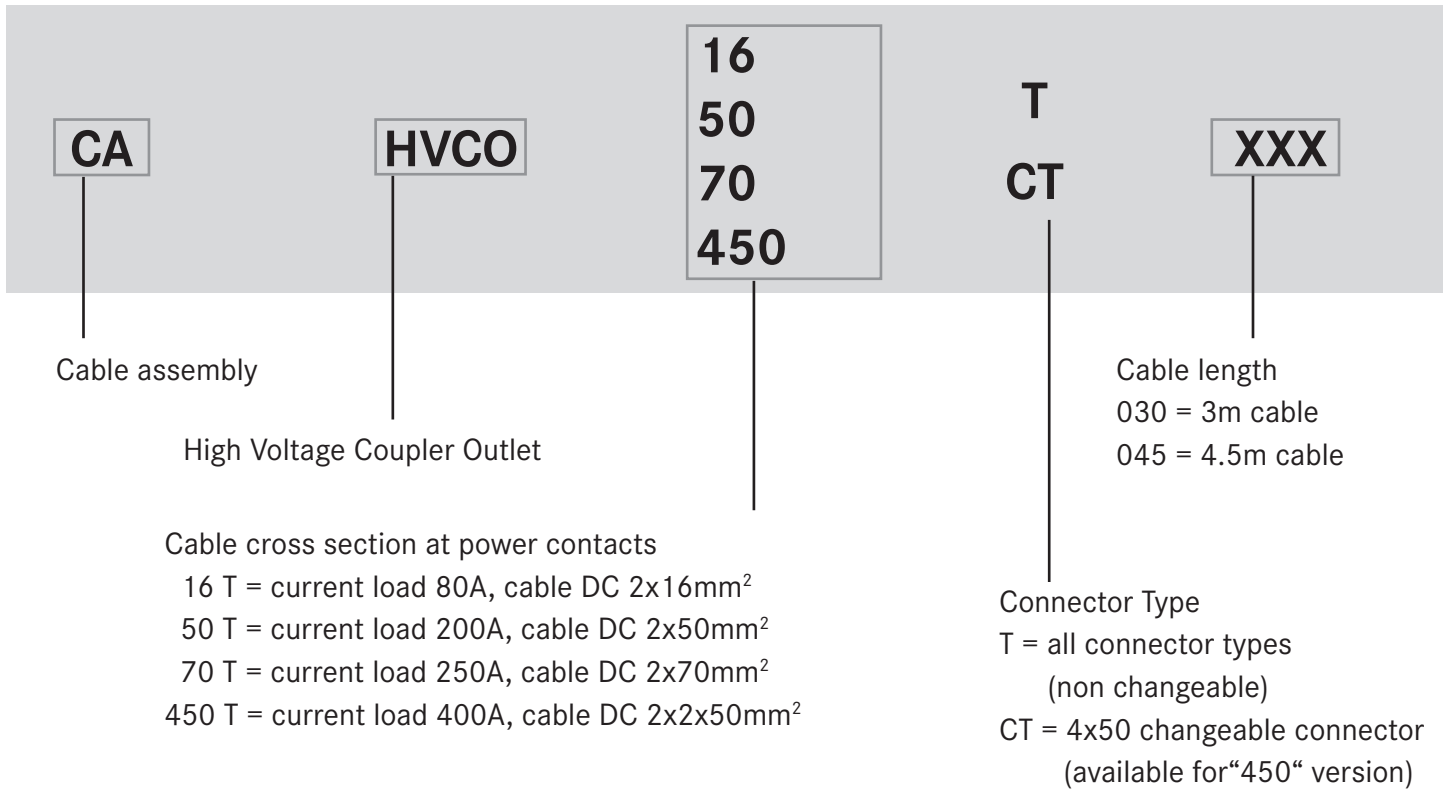


Functions
PE (Protective Ground/Earth)
CP (Control pilot)
PP (Proximity)
DC+ (High power d.c.)
DC- (High power d.c.)

\* Specified values based on temperature rise tests up to max. +90°C contact temperature and max 75°C cable temperature

\*\* Various factors such as environmental influences (e.g.solar radiation), charge capacity and state of the charger of the vehicle battery influence the time it takes for the specified maximum temperatures to be reached

## How to order



## Cable specification

operating temperature -40°C ...+90°C	bending radius 12,5 x D
<b>80A version</b>	
Ø D 18,6 mm	PE wire: 16mm <sup>2</sup> DC wires: 2*16mm <sup>2</sup>

operating temperature -40°C ...+90°C	bending radius 12,5 x D
<b>200A version</b>	
Ø D 29,7 mm	PE wire: 25mm <sup>2</sup> DC wires: 2*50mm <sup>2</sup>

operating temperature -40°C ...+80°C	bending radius 12,5 x D
<b>250A version</b>	
Ø D 31,8 mm	PE wire: 25mm <sup>2</sup> DC wires: 2*70mm <sup>2</sup>

operating temperature -40°C ...+90°C	bending radius 12,5 x D
<b>400A version</b>	
Ø D 36,4 mm	PE wire: 35mm <sup>2</sup> DC wires: 4*50mm <sup>2</sup>