

Excel|Mate Mono

High Voltage with Inter-Lock



CONTENT

ExcelMate Mono (HVBI)

PRODUCT INTRODUCTION.....	2
HOW TO ORDER: RECEPTACLE.....	3
ALTERNATE KEYING POSITIONS.....	4
RECEPTACLE	5
HOW TO ORDER: PLUG	6
PLUG.....	7

EX series

PRODUCT INTRODUCTION.....	8
RECEPTACLE (402).....	9
PLUGS (402).....	10
ALTERNATE KEYING POSITIONS (402).....	11
RECEPTACLE (403).....	12
PLUGS (403).....	13
ALTERNATE KEYING POSITIONS (403).....	14
HOW TO ORDER.....	15

HVG

PRODUCT INTRODUCTION.....	16
INSERT ARRANGEMENT.....	17
HOW TO ORDER: RECEPTACLE.....	18
HOW TO ORDER: PLUG.....	22
ALTERNATE KEYING POSITIONS.....	26
RECEPTACLE & PLUG.....	27

HVS

PRODUCT INTRODUCTION.....	30
RECEPTACLE & PLUG.....	31
CONTACT	32
TEMPERATURE RISE CURVE.....	33

ExcelMate Mono (HVBI)



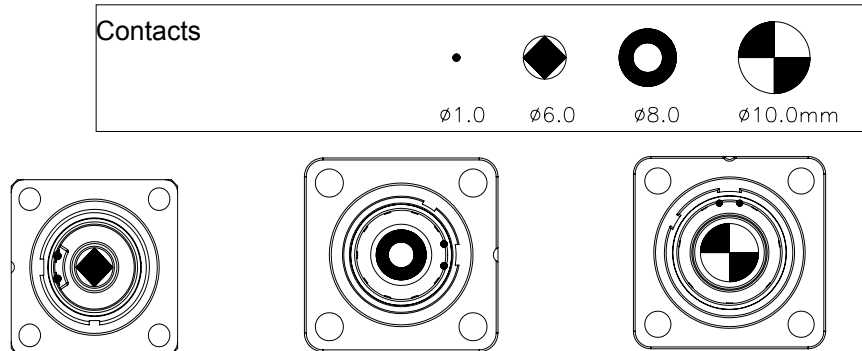
KEY FEATURES

- High voltage with interlock
- Easy to install in a limited space
- Push-pull locking system with audible "click"
- EMI shielding
- No tool required for unmating
- Touch-proof IP2X
- Sealing, IP67, IP6K9K (mated)
- RoHS compliant
- Multiple coding positions

MECHANICAL	
Durability	> 200 mating cycles
Wire range	16 to 70mm ²
Connection type	Crimping
ELECTRICAL	
Rated voltage	1000V DC
Rated current	250A Max @ Ambient temperature 70°C
Insulator resistance	> 2000MΩ
Dielectric withstand voltage	3000V AC
ENVIRONMENTAL	
Sealing	IP67, IP6K9K (mated)
Operating temperature	-40°C to 125°C
Inflammability	UL94V0
Salt spray	48h, 96h
MATERIAL	
Shell	Zinc alloy, zinc plating and anodic oxidation
Contacts	Copper alloy, silver plating
Insulator	Flame-retardant thermoplastic composition
Sealing	Rubber

INSERT ARRANGEMENT

From front face of receptacle

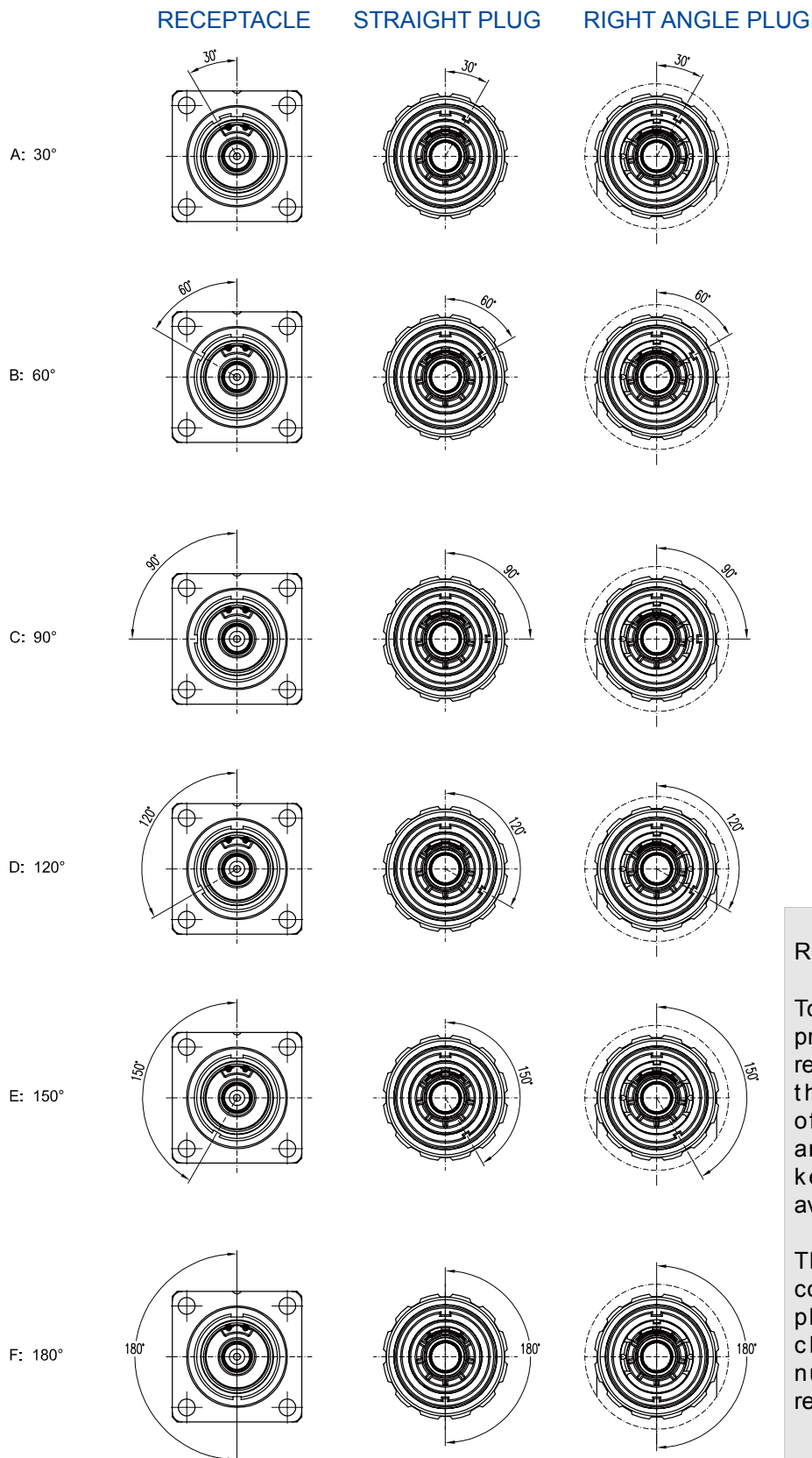


Insert arrangement	HVBI R6	HVBI R8	HVBI R10
Rated voltage	1000V DC	1000V DC	1000V DC
Rated current	120A +2 x 7.5A	180A +2 x 7.5A	250A +2 x 7.5A
Contact number	Power: 1 / Signal: 2	Power: 1 / Signal: 2	Power: 1 / Signal: 2
Withstanding voltage	3000V AC	3000V AC	3000V AC

HOW TO ORDER: RECEPTACLE

	HVBI	0	02R6	A	M	H	BBK
Shell type: 0: Receptacle							
Insert size: 02R6: 6mm Male contact (Rated current 120A) 03R8: 8mm Male contact (Rated current 180A) 05R10: 10mm Male contact (Rated current 250A)							
HVIL: A: With HVIL B: Without HVIL							
Insert type: M: Male contact							
Termination: H: Copper bar H6: M6 Thread (For contact insert R6, R8) H8: M8 Thread (For contact insert R10)							
Alternate keying positions & Color of locking nut: ARD: 30°, Red BBK: 60°, Black CYL: 90°, Yellow DGR: 120°, Green EBL: 150°, Blue FPU: 180°, Purple							

ALTERNATE KEYING POSITIONS

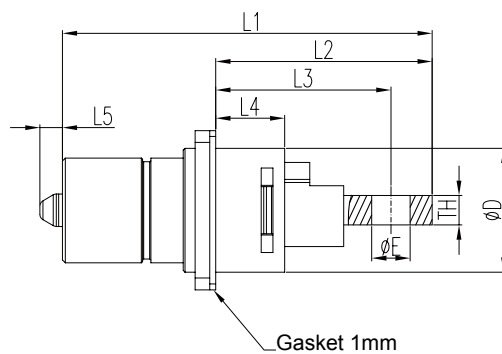
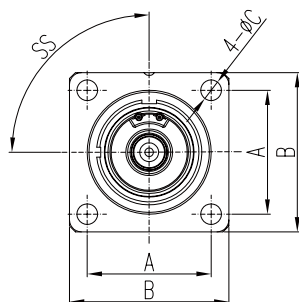


REMARK

To avoid cross-plugging problems in applications requiring the use of more than one connector of the same size and arrangement, alternate keying positions are available.

The shell key is rotated counter-clockwise. The plug would be rotated clockwise the same number of degrees in respect to the shell key.

RECEPTACLE WITH COPPER BAR

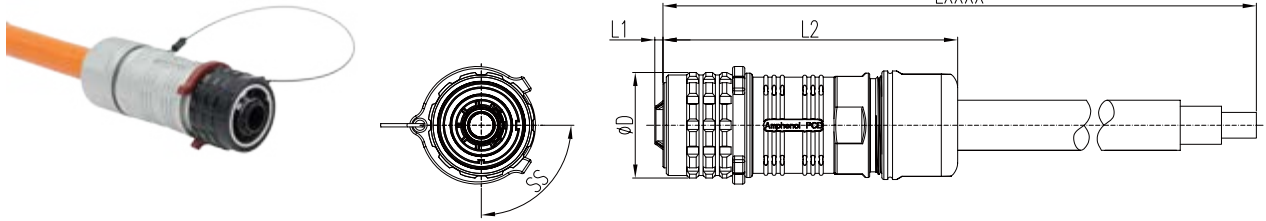


Part number	A	B	C	D	E	L1	L2	L3	L4	L5	TH
HVBI-0-02R6-XMHX-XX	21.0	27.0	3.5	21.0	6.5	62.7	37.7	30.7	12.7	3.8	5.0
HVBI-0-03R8-XMHX-XX	23.0	31.0	4.5	23.0	8.5	76.7	43.7	35.7	15.9	/	5.0
HVBI-0-05R10-XMHX-XX	24.6	33.0	4.5	26.0	10.5	85.9	52.6	40.6	18.4	0.8	6.0
HVBI-0-02R6-XMH6X-XX	21.0	27.0	3.5	21.0	M6	62.7	37.7	30.7	12.7	3.8	5.0
HVBI-0-03R8-XMH6X-XX	23.0	31.0	4.5	23.0	M6	76.7	43.7	35.7	15.9	/	5.0
HVBI-0-05R10-XMH8X-XX	24.6	33.0	4.5	26.0	M8	85.9	52.6	40.6	18.4	0.8	6.0

HOW TO ORDER: PLUG

	HVBI	9	02R6	A	F	C	ARD	FG	25	LXXXX
Shell type:										
7: Straight plug										
9: Right angle plug										
Insert size:										
02R6: 6mm Radsok (Rated current 120A)										
03R8: 8mm Radsok (Rated current 180A)										
05R10: 10mm Radsok (Rated current 250A)										
HVIL:										
A: With HVIL										
B: Without HVIL										
Insert type:										
F: Female contact										
Contact type:										
C: Crimp										
Alternate keying positions:										
ARD: 30°, Red										
BBK: 60°, Black										
CYL: 90°, Yellow										
DGR: 120°, Green										
EBL: 150°, Blue										
FPU: 180°, Purple										
FG: Shielded										
PC: Unshielded										
Cable section:										
16: 16mm ² cable										
25: 25mm ² cable										
35: 35mm ² cable										
50: 50mm ² cable										
70: 70mm ² cable										
Cable length:										
LXXXX: Cable length (Unit in mm)										

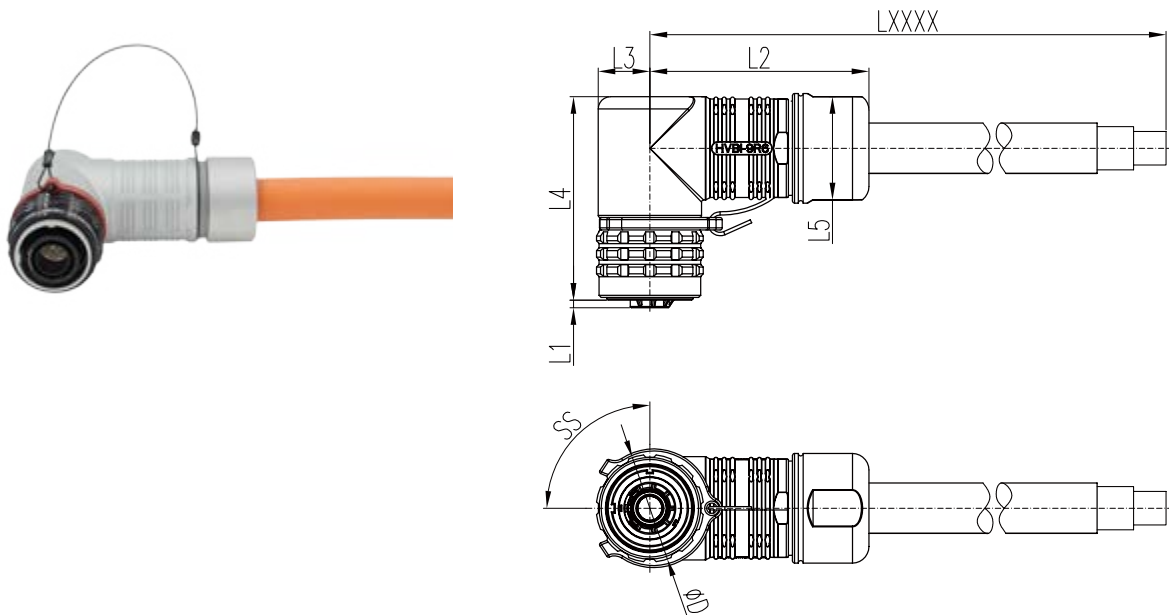
STRAIGHT PLUG



Part number	D	L1	L2	LXXXX	Cable section(mm ²)
HVBI-7-02R6-XFC-X-XX-FG / PC-XX....	26.0	2.0	70	Cable length (mm), custom orders are available	16mm ² to 25mm ²
HVBI-7-03R8-XFC-X-XX-FG / PC-XX....	27.5	2.0	82		35mm ² to 50mm ²
HVBI-7-05R10-XFC-X-XX-FG / PC-XX....	32.5	1.5	92		50mm ² to 70mm ²

Notes: FG: Shielded type PC: Unshielded type

RIGHT ANGLE PLUG



Part number	D	L1	L2	L3	L4	L5	LXXXX	Cable section (mm ²)
HVBI-9-02R6-XFC-X-XX-FG / PC-XX....	26.0	1.8	53.0	12.5	49.3	25.0	Cable length (mm), custom orders are available	16mm ² to 25mm ²
HVBI-9-03R8-XFC-X-XX-FG / PC-XX....	27.5	2.0	62.0	13.9	58.5	27.3		35mm ² to 50mm ²
HVBI-9-05R10-XFC-X-XX-FG / PC-XX....	32.5	1.5	69.5	16.0	64.0	31.5		50mm ² to 70mm ²

Notes: FG: Shielded type PC: Unshielded type

EX series

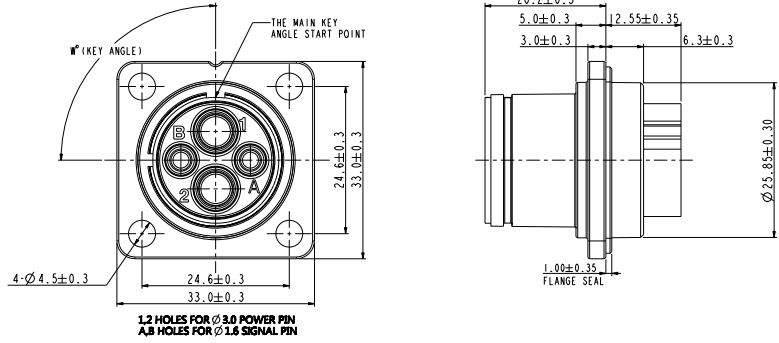


KEY FEATURES

- Easy to install in a limited space
- Push-pull locking system with audible "click"
- EMI shielding
- No tool required to unmate
- Sealing, IP68, IP6K9K (mated)
- Multiple coding positions
- RoHS compliant

APPLICATIONS	
EV air-conditioner	
DCDC	
PTC	
Power distribution boxes	
MECHANICAL	
Durability	50 mating cycles
Wire range	2.5 to 6mm ² (RA plug: 2.5 to 4mm ²)
Connection type	Crimping
ELECTRICAL	
Rated voltage	800V DC
Rated current	6.0mm ² cable shield: 40A Max @ Ambient temperature 70°C 4.0mm ² cable shield: 32A Max @ Ambient temperature 70°C 2.5mm ² cable shield: 23A Max @ Ambient temperature 70°C
Insulator resistance	> 2000MΩ
Dielectric withstand voltage	3000V AC
ENVIRONMENTAL	
Sealing	IP68, IP6K9K (mated)
Operating temperature	-40°C to 125°C
Inflammability	UL94V0
Salt spray	96h
MATERIAL	
Shell	Aluminum alloy with zinc, nickel plating and anodic oxidation
Contacts	Copper alloy, silver plating
Insulator	Flame-retardant thermoplastic composition
Sealing	Rubber

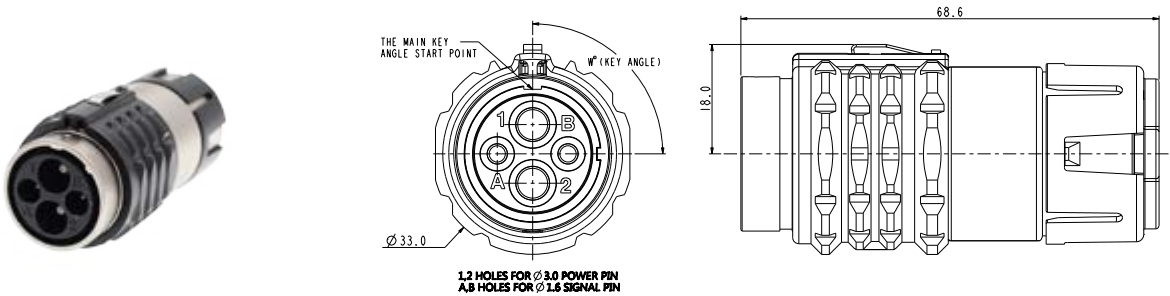
RECEPTACLE EX 402



All connectors do not include contacts. Please order them separately (ref: P/N below)

Socket contact (∅ 3.0): crimping	Socket signal contact (∅ 1.6)
P/N: EX30F4 (for 2.5 to 4 mm ²) P/N: EX30F6 (for 6 mm ²)	P/N: EX16F1

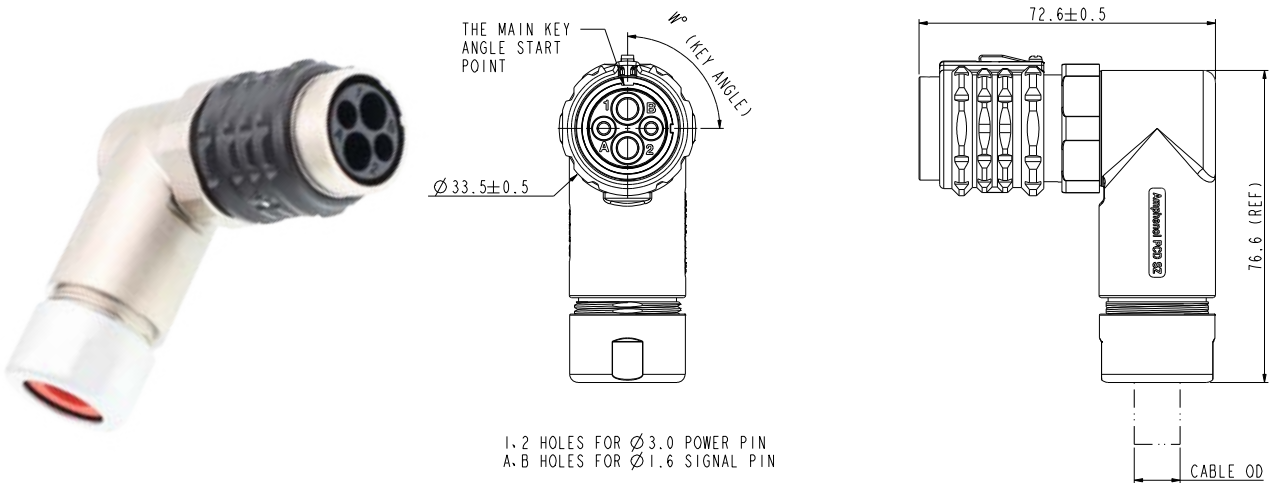
STRAIGHT PLUG EX 402



All connectors do not include contacts. Please order them separately (ref: P/N below)

Pin contact (Ø 3.0): crimping	Pin signal contact (Ø 1.6)
P/N: EX30M4 (for 2.5 to 4 mm ²) P/N: EX30M6 (for 6 mm ²)	P/N: EX16M1

RIGHT-ANGLE PLUG EX 402



All connectors do not include contacts. Please order them separately (ref: P/N below)

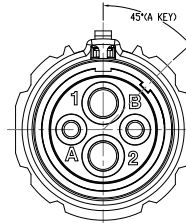
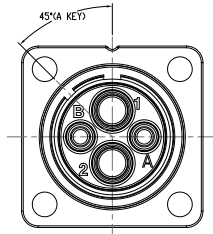
Pin contact (Ø 3.0): crimping	Pin signal contact (Ø 1.6)
P/N: EX30M4 (for 2.5 to 4 mm ²)	P/N: EX16M1

EX 402: ALTERNATE KEYING POSITIONS

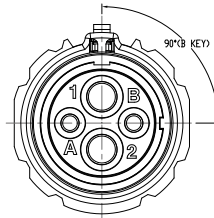
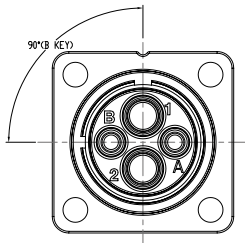
RECEPTACLE

STRAIGHT PLUG

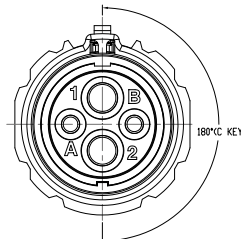
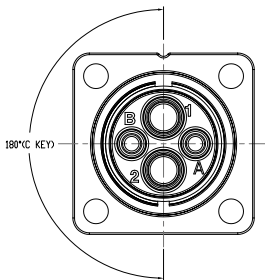
A: 45°



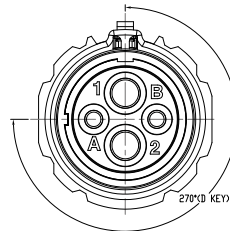
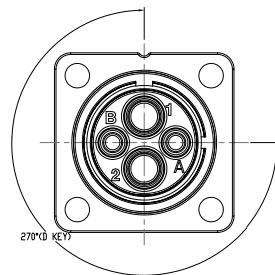
B: 90°



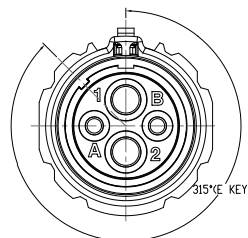
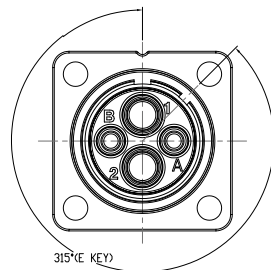
C: 180°



D: 270°



E: 315°

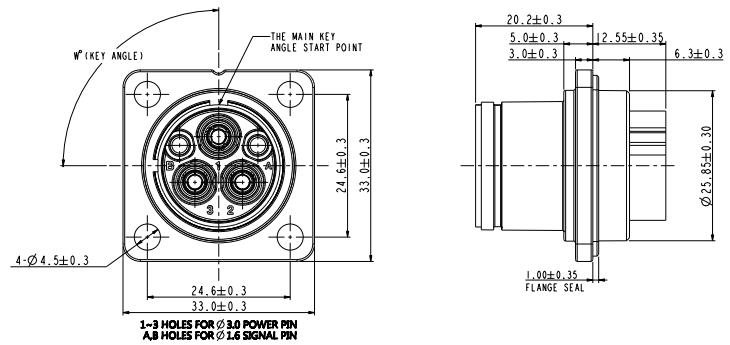


REMARK

To avoid cross-plugging problems in applications requiring the use of more than one connector of the same size and arrangement, alternate keying positions are available.

The shell key is rotated counter-clockwise. The plug would be rotated clockwise the same number of degrees in respect to the shell key.

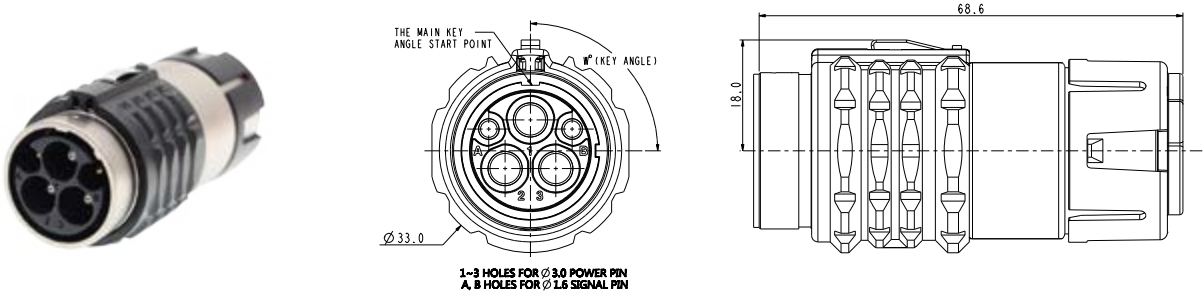
RECEPTACLE EX 403



All connectors do not include contacts. Please order them separately (ref: P/N below)

Socket contact (Ø 3.0): crimping	Socket signal contact (Ø 1.6)
P/N: EX30F4 (for 2.5 to 4 mm ²) P/N: EX30F6 (for 6 mm ²)	P/N: EX16F1

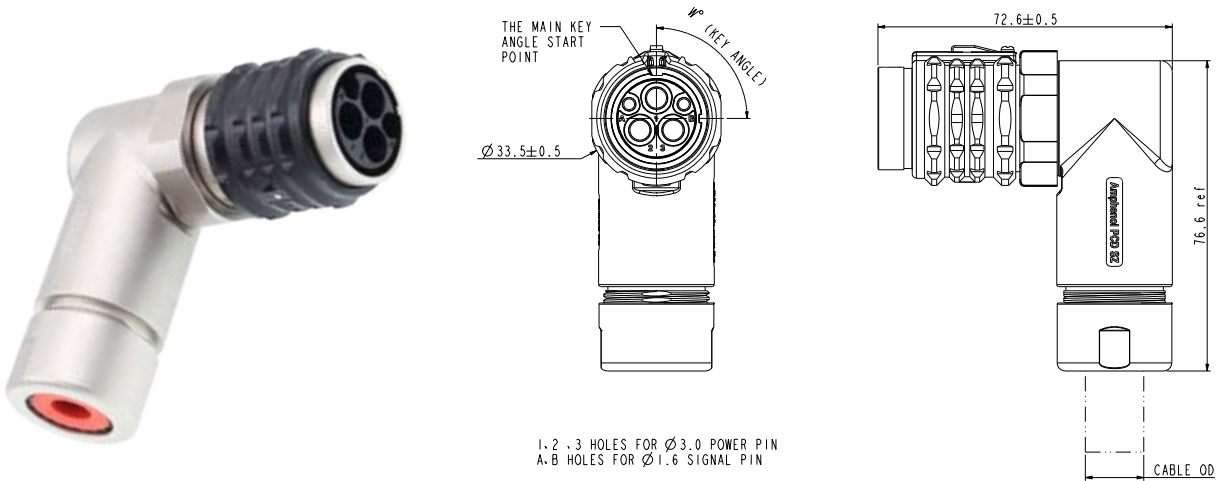
STRAIGHT PLUG EX 403



All connectors do not include contacts. Please order them separately (ref: P/N below)

Pin contact (Ø 3.0): crimping	Pin signal contact (Ø 1.6)
P/N: EX30M4 (for 2.5 to 4 mm ²) P/N: EX30M6 (for 6 mm ²)	P/N: EX16M1

RIGHT-ANGLE PLUG EX 403



All connectors do not include contacts. Please order them separately (ref: P/N below)

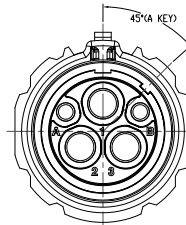
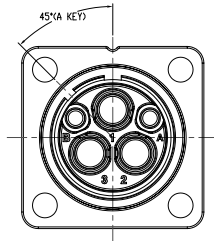
Pin contact (Ø 3.0): crimping	Pin signal contact (Ø 1.6)
P/N: EX30M4 (for 2.5 to 4 mm ²)	P/N: EX16M1

EX 403: ALTERNATE KEYING POSITIONS

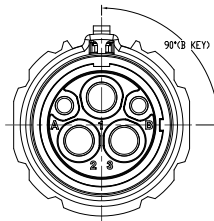
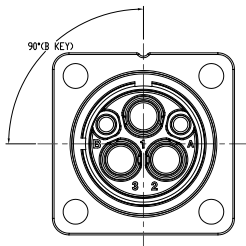
RECEPTACLE

STRAIGHT PLUG

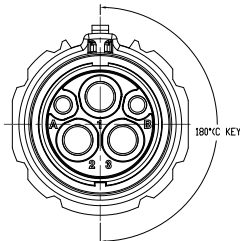
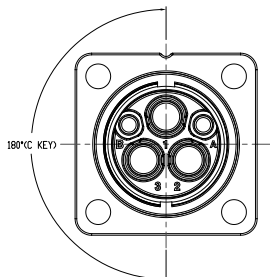
A: 45°



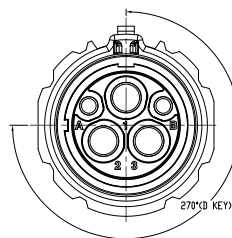
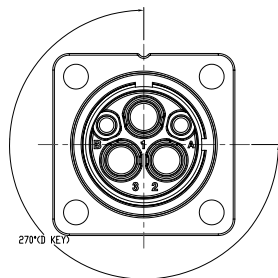
B: 90°



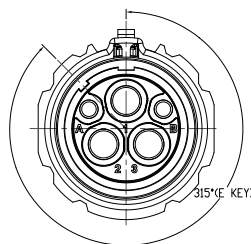
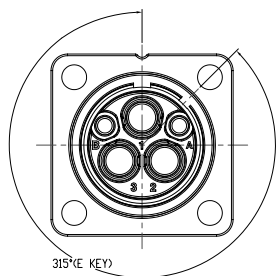
C: 180°



D: 270°



E: 315°



REMARK

To avoid cross-plugging problems in applications requiring the use of more than one connector of the same size and arrangement, alternate keying positions are available.

The shell key is rotated counter-clockwise. The plug would be rotated clockwise the same number of degrees in respect to the shell key.

HOW TO ORDER

PLUG

	EX	402	06	A	1	2	I
Product series: 402 (2 pin), 403 (3 pin)							
Product type: 06: Straight plug							
Alternate keying positions & Locking nut color:							
A: Coding A, Red		D: Coding D, Green					
B: Coding B, Black		E: Coding E, Blue					
C: Coding C, Yellow							
Interlock							
0: Without interlock		2: With external interlock					
1: With internal interlock							
Cable section:							
2: 2.5mm ² (23A)		6: 6.0mm ² (40A)					
4: 4.0mm ² (32A)							
Cable type: I: Individually							



	EX	402	08	A	1	11	M
Product series: 402 (2 pin), 403 (3 pin)							
Product type: 08: Right-angle plug							
Alternate keying positions & Locking nut color:							
A: Coding A, Red		D: Coding D, Green					
B: Coding B, Black		E: Coding E, Blue					
C: Coding C, Yellow							
Interlock							
0: Without interlock		2: With external interlock					
1: With internal interlock							
Cable section:							
11: Cable OD 10 to 10.8mm		13: Cable OD 11.9 to 12.8mm					
12: Cable OD 10.9 to 11.8mm		14: Cable OD 12.9 to 14mm					
Cable type: M: Multicore							



RECEPTACLE

	EX	402	02	A
Product series: 402 (2 pin), 403 (3 pin)				
Product type: 02: Flange receptacle				
Alternate keying positions & Locking nut color:				
A: Coding A, Red		D: Coding D, Green		
B: Coding B, Black		E: Coding E, Blue		
C: Coding C, Yellow				



HVG SERIES



KEY FEATURES

- Easy to install in a limited space
- Push-pull locking system with audible "click"
- EMI shielding
- No tool required to unmate
- Sealing, IP67, IP6K9K (mated)
- Multiple coding positions
- RoHS compliant

APPLICATIONS	
EV air-conditioner	
DCDC	
PTC	
Power distribution boxes	
MECHANICAL	
Durability	> 200 mating cycles
Connection type	Crimping
ELECTRICAL	
Rated voltage	800V DC
Rated current	2.5mm ² : 23A @Ambient temp. 70°C 4mm ² : 32A @Ambient temp. 70°C 6mm ² : 40A @Ambient temp. 70°C 10mm ² : 50A @Ambient temp. 70°C
Insulator resistance	> 2000MΩ
Dielectric withstand voltage	3000V AC
Shielding	Yes
ENVIRONMENTAL	
Sealing	IP67, IP6K9K (mated)
Temperature range	-40°C to 125°C, short term to 150°C
Inflammability	UL94V0
Salt spray	96h
MATERIAL	
Shell	Aluminum alloy with zinc, nickel plating and anodic oxidation
Contacts	Copper alloy, silver plating
Insulator	Flame-retardant thermoplastic composition
Sealing	Rubber

INSERT ARRANGEMENT

From front face of receptacle

Contacts

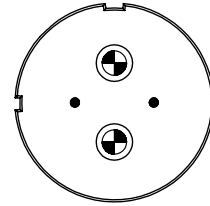
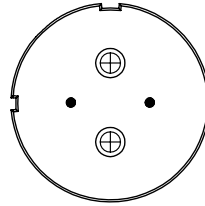
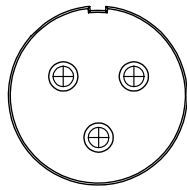


∅1.0

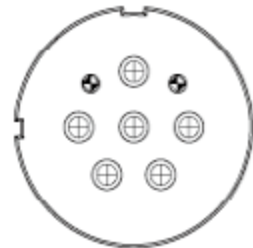
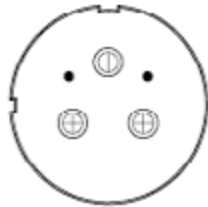
∅1.6

∅3.0

∅3.6mm



Insert arrangement	HVS203	HVG402	HVG492
Rated voltage	800V DC	800V DC	800V DC
Rated current	3 x 32A	2 x 32A + 2 x 7.5A	2 x 50A + 2 x 7.5A
Contact number	Power: 3	Power: 2 / Signal: 2	Power: 2 / Signal: 2
Withstanding voltage	2500V	3000V	3000V



Insert arrangement	HVG403	HVG404	HVG406
Rated voltage	800V DC	800V DC	800V DC
Rated current	3 x 32A + 2 x 7.5A	4 x 32A + 2 x 7.5A	6 x 32A + 2 x 7.5A
Contact number	Power: 3 / Signal: 2	Power: 4 / Signal: 2	Power: 6 / Signal: 2
Withstanding voltage	3000V	3000V	3000V

RECEPTACLE

	HVG	1S	402	M	C	XRD
HVG series						
Product type: 1S: Flange receptacle						
Insert arrangement: (HVG Series not include contact, order seperately, P/N please refer to page 30) 402: 2 X (23A to 32A) + 2 X 7.5A 403: 3 X (23A to 32A) + 2 X 7.5A 492: 2 X (40A to 50A) + 2 X 7.5A						
Contact type: M: Male contact F: Female contact						
C: Crimp version						
Alternate keying positions & Shell color: BK: Without, Black XRD: 270°, Red YY: 315°, Yellow ZBL: 90°, Blue WGR: 45°, Green						

HOW TO ORDER: 203

RECEPTACLE

	HVS	1S	203	M	C	X
HVS series						
Product type: 1S: Flange receptacle						
Insert arrangement: 203: 3 X 32A						
Contact type: M: Male contact F: Female contact						
C: Crimp version						
Alternate keying positions & Locking nut color: Omit: Without, Black X: 270°, Red Y: 315°, Yellow Z: 90°, Blue W: 45°, Green						

RECEPTACLE

	HVG	1S	404	M	C	XRD	4	D	4	L0000
HVG series										
Product type: 1S: Flange receptacle										
Insert arrangement: (HVG Series not include contact, order seperately, P/N please refer to page P30) 404: 4 X (23A to 32A) + 2 X 7.5A										
Contact type: M: Male contact C: Crimp version										
Alternate keying positions & Shell color: BK: Without, Black XRD: 270°, Red YY: 315°, Yellow ZBL: 90°, Blue WGR: 45°, Green										
Cable cores: 4										
Cable gland type: D: Unshielded wire										
Cable section: 2: 2.5mm ² (rated voltage of 23A) 4: 4mm ² (rated voltage of 32A)										
Cable length: L0000: Cable length (Unit in mm)										

RECEPTACLE

	HVG	1S	406	M	C	XRD
HVG series						
Product type: 1S: Flange receptacle						
Insert arrangement (HVG series not include contact, order seperately, P/N please refer to page P30) 406: 6 X (23A to 32A) + 2 X 7.5A						
Contact type: M: Male contact						
C: Crimp version						
Alternate keying positions & Locking nut color: BK: Without, Black XRD: 270°, Red YY: 315°, Yellow ZBL: 90°, Blue WGR: 45°, Green						

HOW TO ORDER: 402, 403, 492 - Shielded cable

PLUG - shielded cable

	HVG	1P	402	M	C	XRD
HVG series						
Product type: 1P: 1-PIN Plug						
Insert arrangement: (HVG Series not include contact, order seperately, P/N please refer to page 30) 402: 2 X (23A to 32A) + 2 X 7.5A 403: 3 X (23A to 32A) + 2 X 7.5A 492: 2 X (40A to 50A) + 2 X 7.5A						
Contact type: M: Male contact F: Female contact						
C: Crimp version						
Alternate keying positions & Shell color: Omit: Without, Black XR: 270°, Red YY: 315°, Yellow ZB: 90°, Blue WG: 45°, Green						

HOW TO ORDER: 402, 403, 492 - unshielded cable

PLUG - unshielded cable

	HVG	1P	402	M	C	XRD	2	D	4	L0000
HVG series										
Product type: 1P: 1-PIN Plug										
Insert arrangement (HVG series not include contact, order seperately, P/N please refer to page 30) 402: 2 X (23A to 32A) + 2 X 7.5A 403: 3 X (23A to 32A) + 2 X 7.5A 492: 2 X (40A to 50A) + 2 X 7.5A										
Contact type: M: Male contact F: Female contact										
C: Crimp version										
Alternate keying positions & Locking nut color: Omit: Without, Black XR: 270°, Red YY: 315°, Yellow ZB: 90°, Blue WG: 45°, Green										
Cable cores: 2, 3										
Cable gland type: D: Unshielded wire										
Cable section: 2: 2.5mm ² (rated voltage of 23A) 4: 4mm ² (rated voltage of 32A) 6: 6mm ² (rated voltage of 40A) A: 10mm ² (rated voltage of 50A)										
Cable length: L0000: Cable length (Unit in mm)										

HOW TO ORDER : 203

PLUG

	HVS	1P	203	M	C	X
HVS series						
Product type: 1P: 1-PIN Plug						
Insert arrangement: 203: 3 X 32A						
Contact type: M: Male contact F: Female contact						
C: Crimp version						
Alternate keying positions & Shell color: Omit: Without, Black X: 270°, Red Y: 315°, Yellow Z: 90°, Blue W: 45°, Green						

PLUG

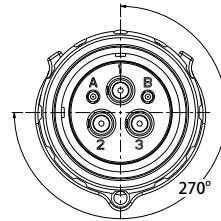
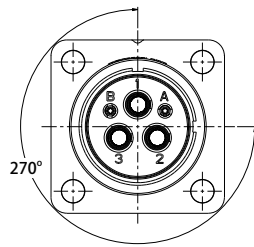
	HVG	1P	404	F	C	XRD	4	D	4	L0000
HVG series										
Product type: 1P: 1-PIN Plug										
Insert arrangement (HVG series not include contact, order seperately, P/N please refer to page 32) 404: 4 X (23A to 32A) + 2 X 7.5A 406: 6 X (23A to 32A) + 2 X 7.5A										
Contact type: F: Female contact C: Crimp version										
Alternate keying positions & Locking nut color: NBK: Without, Black XRD: 270°, Red YGR: 315°, Green ZBL: 90°, Blue WYL: 45°, Yellow										
Cable cores: 4, 6										
Cable gland type: A: Shielded cable D: Unshielded wire										
Cable section: 2: 2.5mm ² (rated voltage of 23A) 4: 4mm ² (rated voltage of 2A)										
Cable length: L0000: Cable length (Unit in mm)										

ALTERNATE KEYING POSITIONS

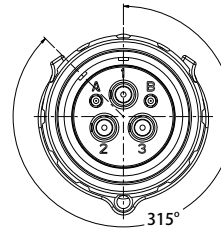
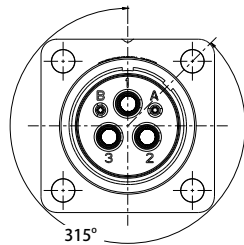
RECEPTACLE

STRAIGHT PLUG

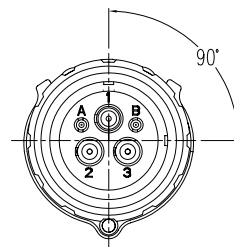
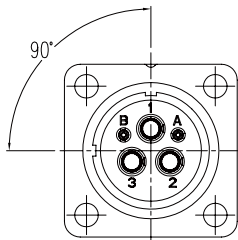
X: 270°



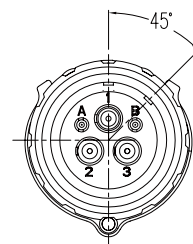
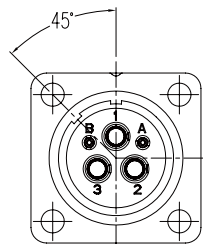
Y: 315°



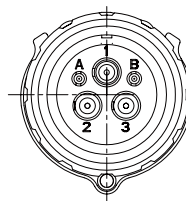
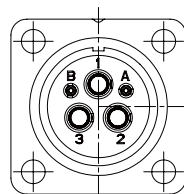
Z: 90°



W: 45°



N: NORMAL

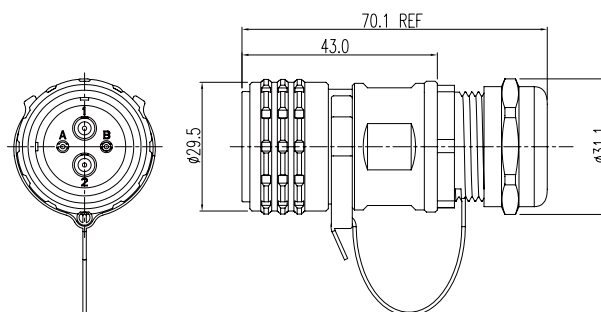
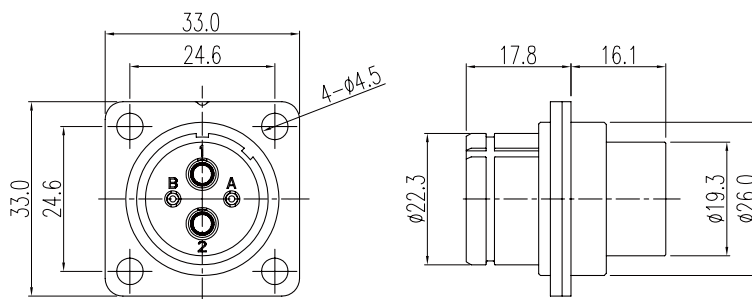


REMARK

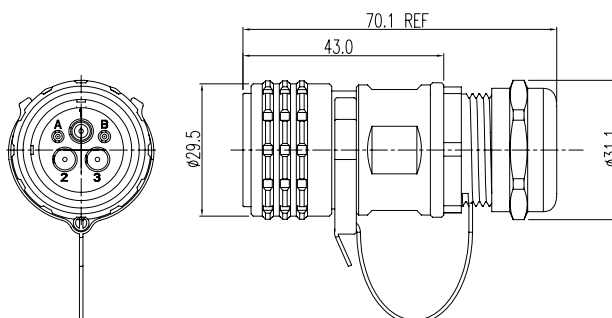
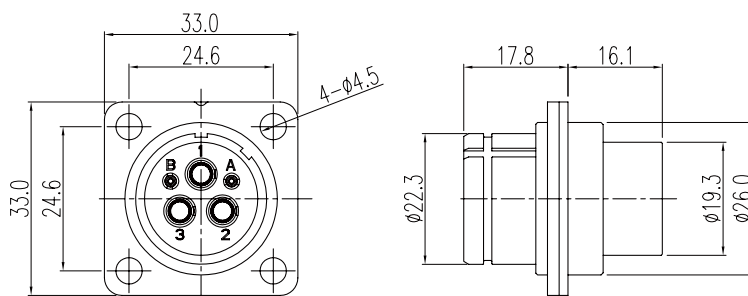
To avoid cross-plugging problems in applications requiring the use of more than one connector of the same size and arrangement, alternate keying positions are available.

The shell key is rotated counter-clockwise. The plug would be rotated clockwise the same number of degrees in respect to the shell key.

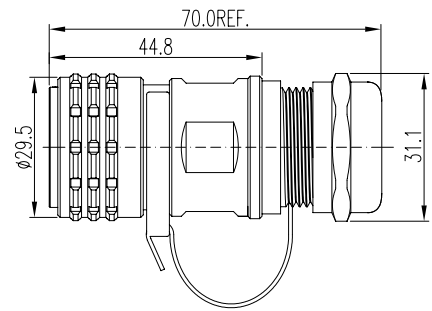
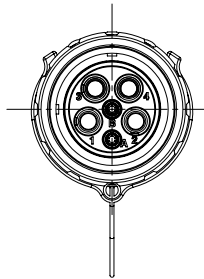
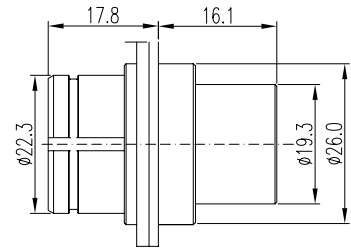
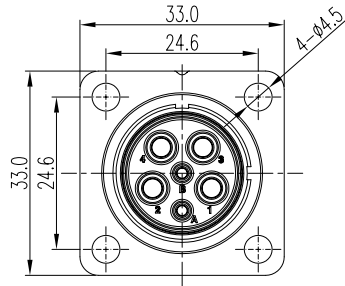
RECEPTACLE AND PLUG: 402



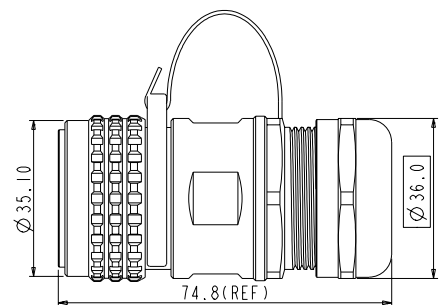
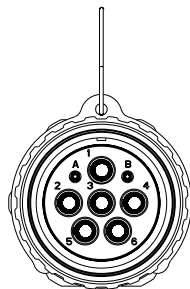
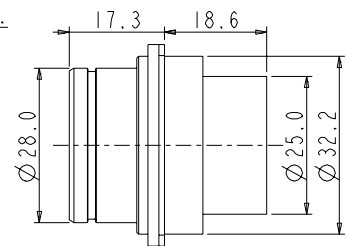
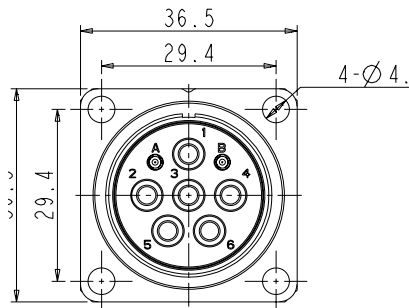
RECEPTACLE AND PLUG: 403



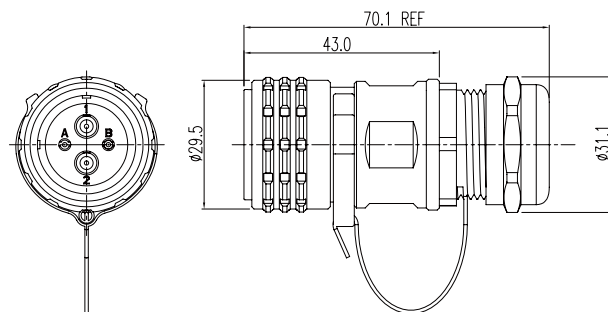
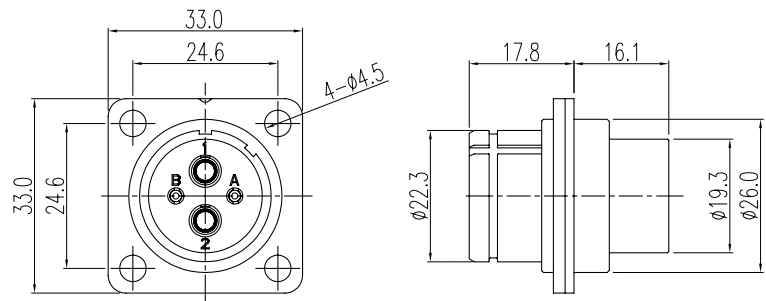
RECEPTACLE AND PLUG: 404



RECEPTACLE AND PLUG: 406



RECEPTACLE AND PLUG: 492



HVS SERIES



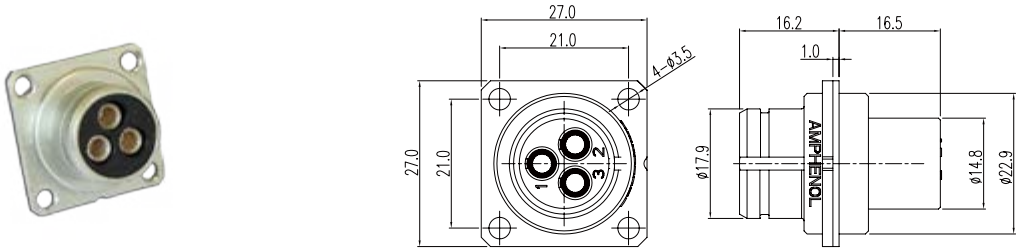
KEY FEATURES

- Easy to install in a limited space
- Push-pull locking system with audible "click"
- EMI shielding
- No tool required for unmating
- Sealing, IP67, IP6K9K (mated)
- Multiple coding positions
- RoHS compliant

APPLICATIONS	
EV air-conditioner	
DCDC	
PTC	
Power distribution boxes	
MECHANICAL	
Durability	> 200 mating cycles
Connection type	Crimping
ELECTRICAL	
Rated voltage	230V AC / 400V DC
Rated current	32A Max @ Ambient temperature 70°C
Insulator resistance	> 2000MΩ
Dielectric withstand voltage	2500V AC
Shielding	Yes
ENVIRONMENTAL	
Sealing	IP67, IP6K9K (mated)
Temperature range	-40°C to 125°C, short term to 150°C
Inflammability	UL94V0
Salt spray	48h, 96h
MATERIAL	
Shell	Aluminum alloy with zinc, nickel plating and anodic oxidation
Contacts	Copper alloy, silver plating
Insulator	Flame-retardant thermoplastic composition
Sealing	Rubber

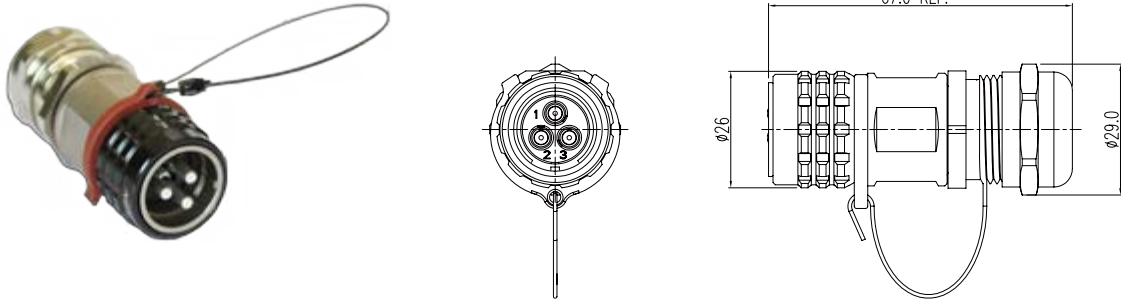
RECEPTACLE

P/N: HVS1S-203FC (socket) / HVS1S-203MC (pin)



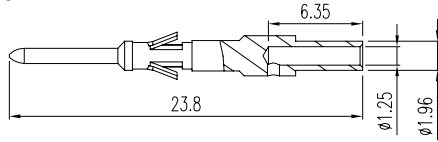
PLUG

P/N: HVS1P-203MC (pin) / HVS1P-203FC (socket)

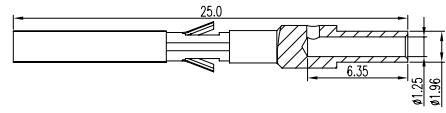


CONTACTS Notice: HVG series connectors are not include contact, please order seperately.

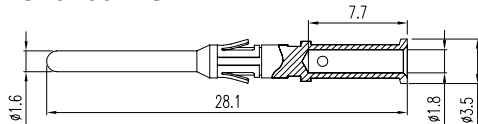
HVG20M1



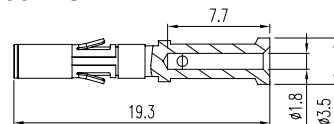
HVG20F1



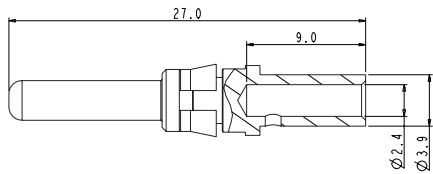
ASRC16P001AU



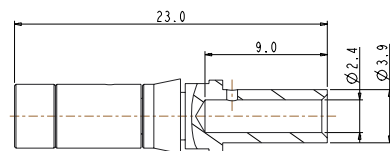
ASRC16SC001AU



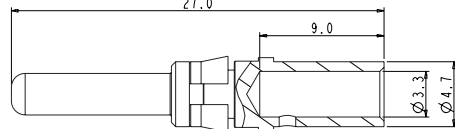
HVG30M2



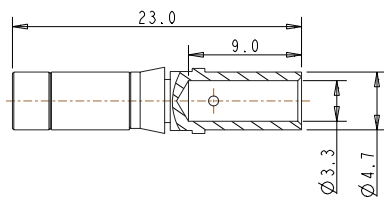
HVG30F2



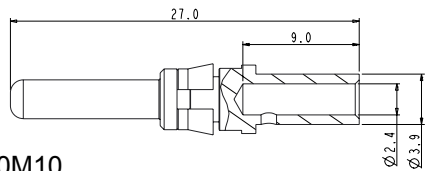
HVG30M4



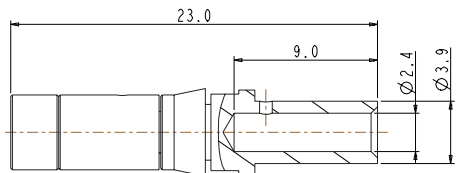
HVG30F4



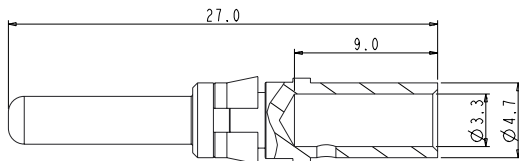
HVG30M6



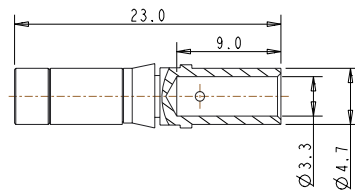
HVG30F6



HVG30M10



HVG30F10

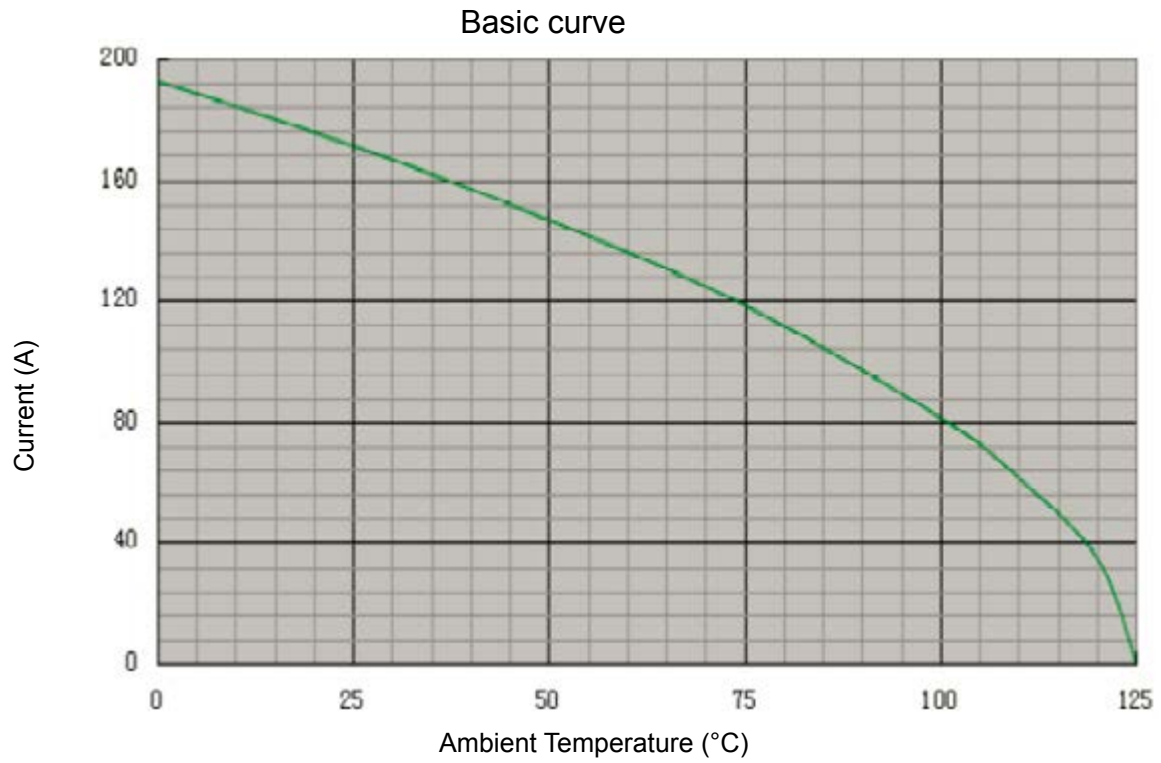


PART NUMBER

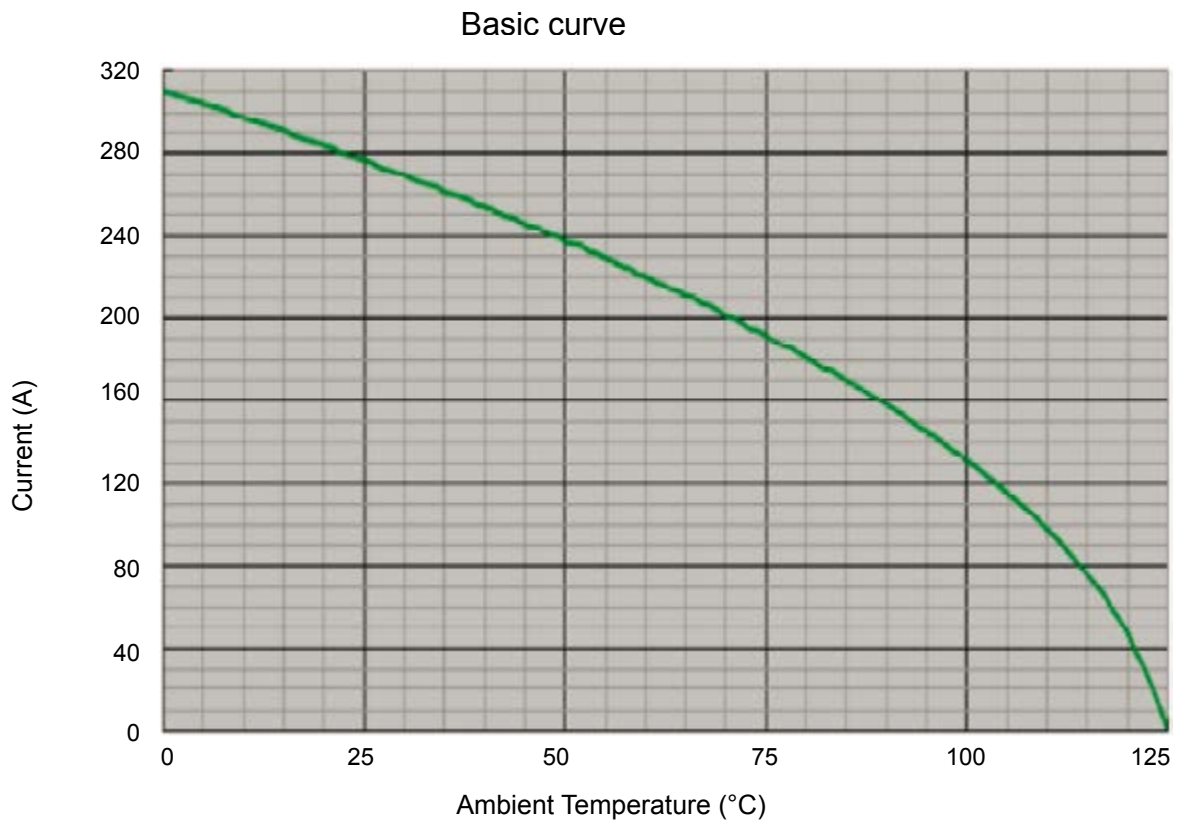
Contact type for connector	Contact size	Part number		Rated Current	For cable section	Extraction tool
		Pin	Socket			
Signal: HVG402/403/492	1.0mm	HVG20M1	HVG20F1	7.5A max	0.5 to 1.0 mm ²	HV-TOOL-20R
Signal: HVG404/406	1.6mm	ASRC16PC001AU	ASRC16SC001AU	13A max	0.75 to 1.5 mm ²	ASGTC-R-16S
Power: HVS, HVG402/403/404/406	3.0mm	HVG30M2	HVG30F2 / HVG30FS2	23A max	2.5 mm ²	HV-TOOL-30R
Power: HVS HVG402/403/404/406	3.0mm	HVG30M4	HVG30F4 / HVG30FS4	40A max	4.0 mm ²	HV-TOOL-30R
Power: HVG492	3.6mm	HVG30M6	HVG30F6	50A max	6.0 mm ²	HV-TOOL-36R
		HVG30M10	HVG30F10		10.0 mm ²	

TEMPERATURE RISE CURVE

HVBI R6

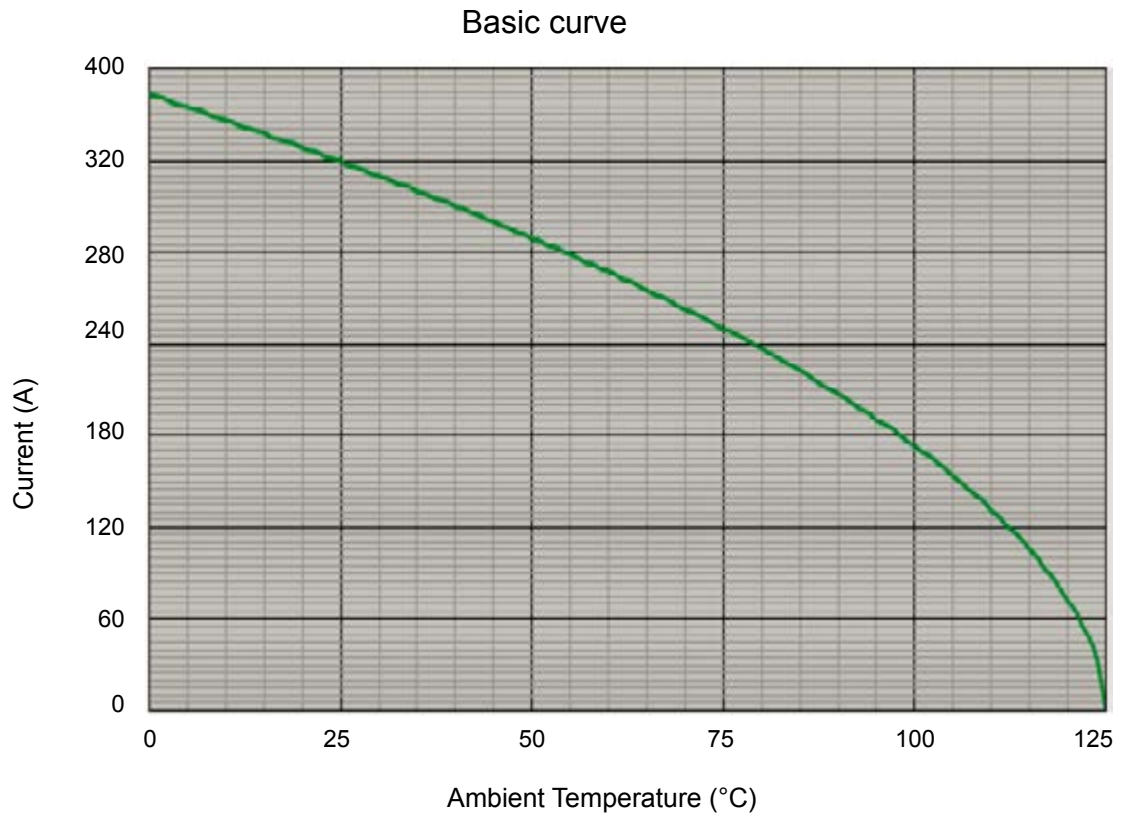


HVBI R8



TEMPERATURE RISE CURVE

HVBI R10



Amphenol PCD Shenzhen

Building 21
1st Liao Keng Industrial Zone
Shi Yan Street, Bao An District Shenzhen 518108
China

Tel.: +86 755-8173-8000
Fax: +86 755-8173-8180
Email: inquiry@amphenolpcd.com.cn

www.amphenolpcd.com.cn

Notes:

Amphenol PCD Shenzhen has made every effort to ensure that the information contained in this catalog is accurate at the time of publication. Specifications or information stated in this publication are subject to change without notice.

Amphenol PCD Shenzhen reserves the right to clarify this catalog.