

Amphenol Industrial



ENERGY STORAGE



HEAVY EQUIPMENT



ELECTRIC VEHICLES



SERVER/DATACOM

SURLOK® PLUS 3.6MM

Amphenol's SurLok Plus™ is an environmentally sealed version of our original SurLok but available in smaller sizes, and features a quick lock and press-to-release design. Incorporating the latest R4 RADSOK® Technology, SurLok Plus™ is a compact, quick mating, and robust product line.

Adding the new 3.6mm version, it is for 1500VDC and 6-10 MM² cable. It offers multi-directional outgoing for the cable.

It is UL 4128 listed and TUV 2PFG 2720 certification.



1500VDC



UL 4128

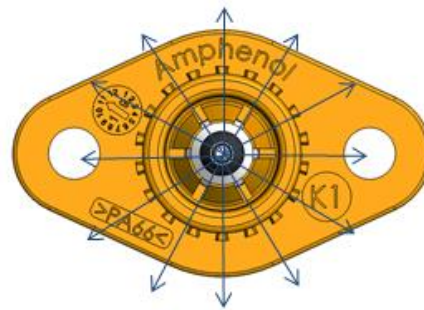


ROTATION

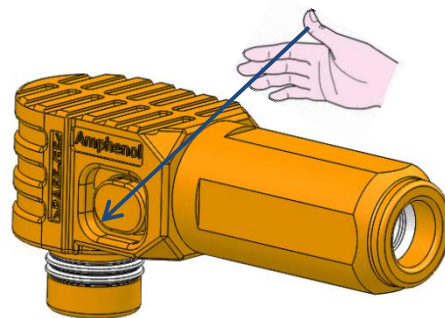


6-10 MM²

Features and benefits



Multi-directional outgoing

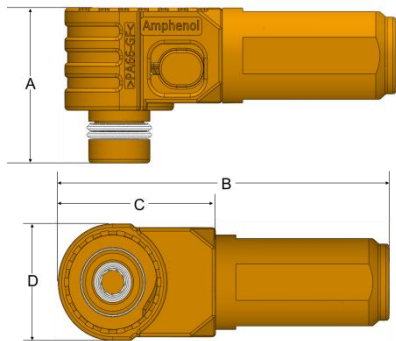


Quick lock and press-to-release design

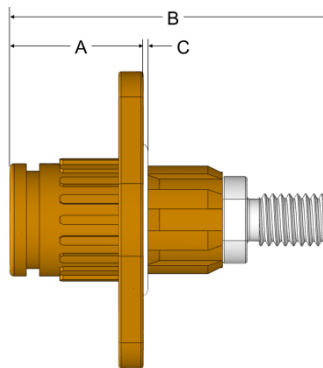
www.amphenol-industrial.com

Product Dimensions

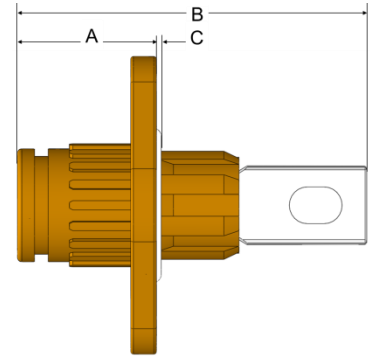
Right Angle Plug



Screw Termination



Busbar Termination



Size	Right Angle Plug			
	A	B	C	D
3.6mm	21.2	48.6	23.1	16.0

Size	Screw Termination		
	A	B	C
3.6mm	16.3	39.0	0.5 Ref.

Size	Busbar Termination		
	A	B	C
3.6mm	16.3	41.0	0.5 Ref.

How to order

Product series	Type		RADSOK Size		Cable Size		Backshells		Sealing		Color		Keyway	
SLP	HP	RA Type	M	3.6mm	6	6mm ²	B	W/ Backshells	S	IP67	O	Orange	1	20°
		Straight Type			10	10mm ²					B	Black		
	HIP	Straight Type			6	6mm ²			N	Non-Sealed	R	Red	2	30°
					10	10mm ²								
Product series	Type		RADSOK Size		Termination style		Panel Mount		Sealing		Color		Keyway	
SLP	HIR	Receptacle W/ Keyway	M	3.6mm	B	Busbar	P	Panel Mount W/Flange	S	IP67	O	Orange	1	20°
					T	Threaded Post					N	Non-Sealed		
					N	Non-Sealed			R	Red	2	30°		

Electrical Specification

Item	Description	RADSOK Size
		3.6mm
1	Operating Voltage	1500V
2	Max Current Rating	70A max
3	Operating Temperature	-40°C~125°C
4	Protection Class	IP67 (Mated)
5	Contact resistance	0.5mΩ Max

