



AMPHENOL PCD SHENZHEN



BSM

Battery Swap Modules

www.amphenolpcd.com.cn

INDUSTRIAL@AMPHENOL
TRUSTED GLOBALLY

TABLE OF CONTENTS

CONTENT

PRODUCT INTRODUCTION.....	3
BSM5A.....	4
BSM100A.....	7
BSM070A.....	10
BSM080A.....	13



BSM series connectors are Battery Swapping Modules with high durability. Their deviation self-correction and collision prevention ensure a fast and precise mating.

- RADSOK® Technology.
- Excellent physical shock and vibration.
- Distinct function for deviation-auto correction, can adjust deviation of X, Y, Z. X and Y direction $\pm 2\text{mm}$ and Z direction $\pm 5\text{mm}$.

For custom orders, please contact us. Amphenol PCD Shenzhen is able to provide customized solutions to meet our customers' needs.

BSM5A

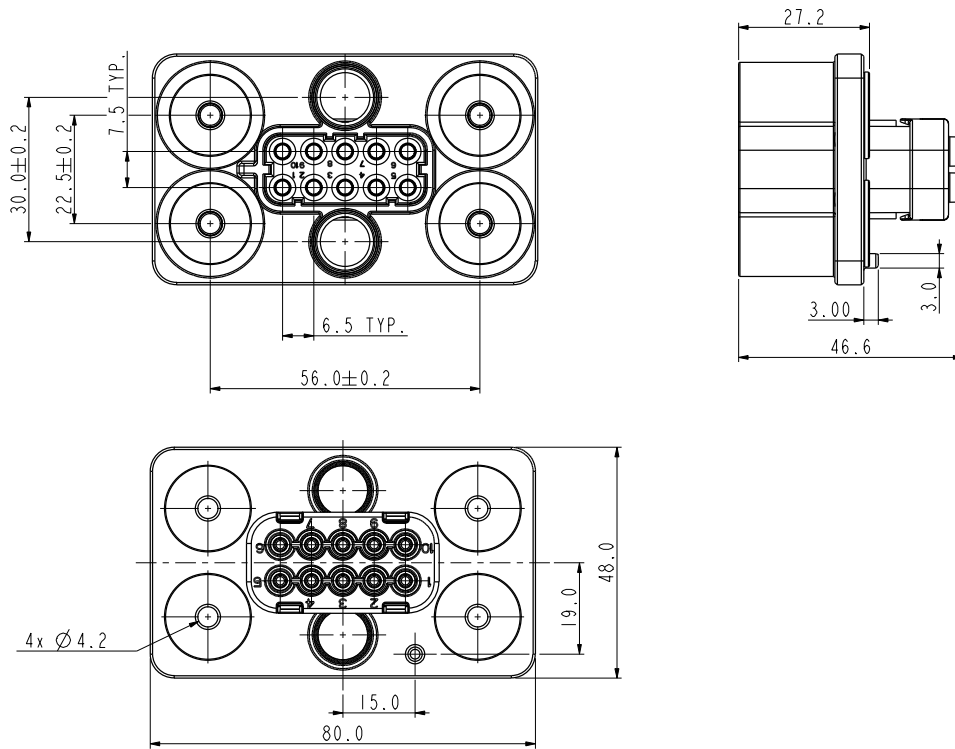


MECHANICAL	
Durability	≥ 5000 mating cycles
Insertion and extraction force	130N max
ELECTRICAL	
Rated current	5A max
Rated voltage	24V
Contact resistance	$\leq 3m\Omega$
Insulator resistance	$\geq 100M\Omega$
Dielectric withstanding voltage	1000V AC
ENVIRONMENTAL	
Temperature range	-30°C to 50°C
Temperature rise	$\leq 55K$

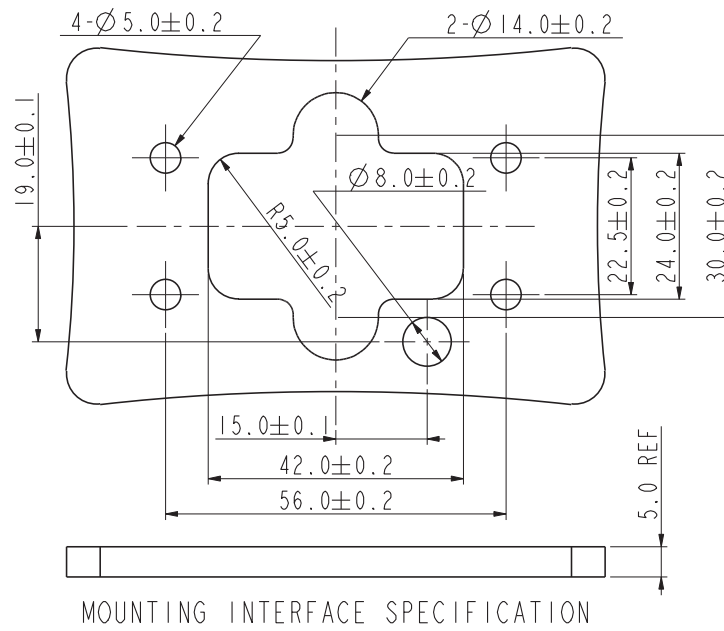
KEY FEATURES

- Blind mating with floating on X, Y, Z axes
- Deviation self-correction
- Collision prevention
- High durability
- Excellent physical shock and vibration performance

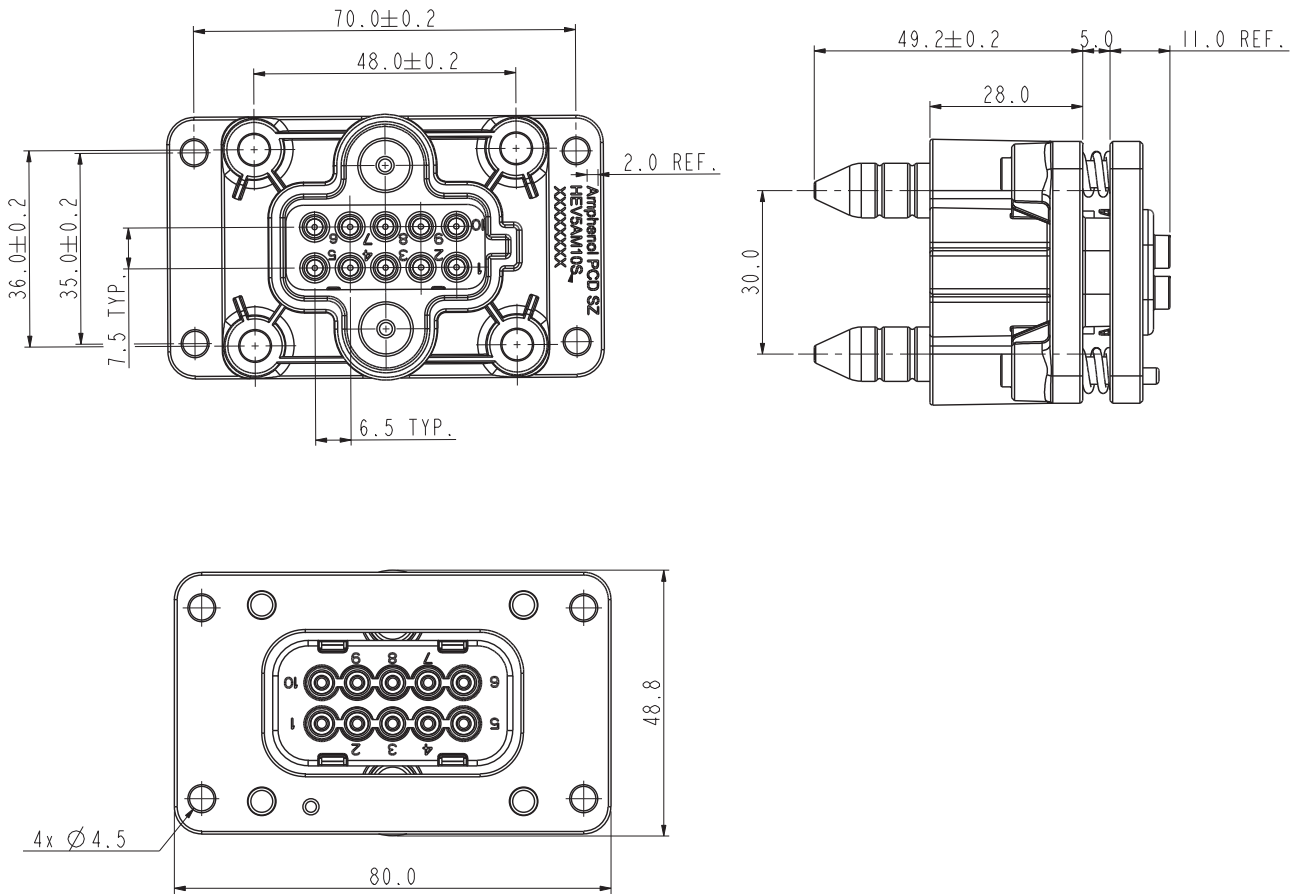
RECEPTACLE
P/N: HEV5AF10S



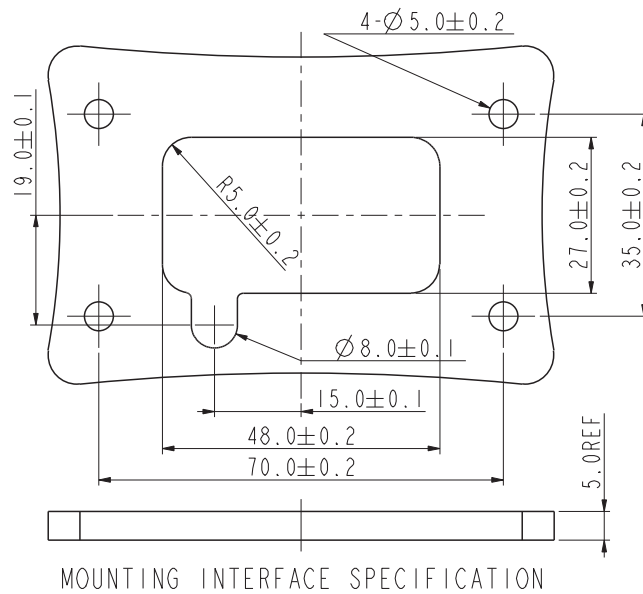
PANEL MOUNTING DIMENSIONS



PLUG
P/N: HEV5AM10S



PANEL MOUNTING DIMENSIONS





MECHANICAL	
Durability	≥ 5000 mating cycles
Insertion and extraction force	130N max
ELECTRICAL	
Rated current	Signal contact: 2A Power contact: 100A max
Rated voltage	Signal contact: 12 to 24V Power contact: 600V DC
Contact resistance	$\leq 0.5\text{m}\Omega$
Insulator resistance	$\geq 200\text{M}\Omega$
Dielectric withstanding voltage	3000V AC
ENVIRONMENTAL	
Temperature range	-30°C to 50°C
Temperature rise	$\leq 55\text{K}$

KEY FEATURES

Blind mating with floating on X, Y, Z axes

Deviation self-correction

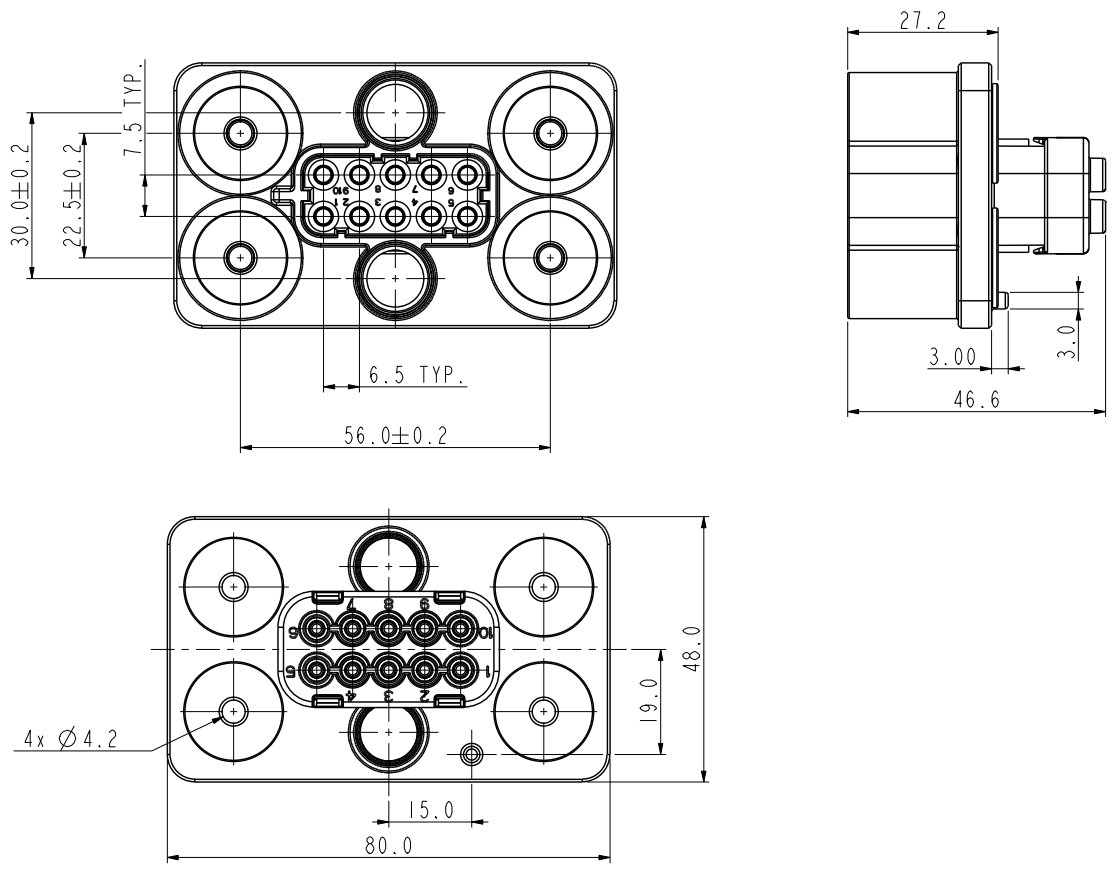
Collision prevention

High durability

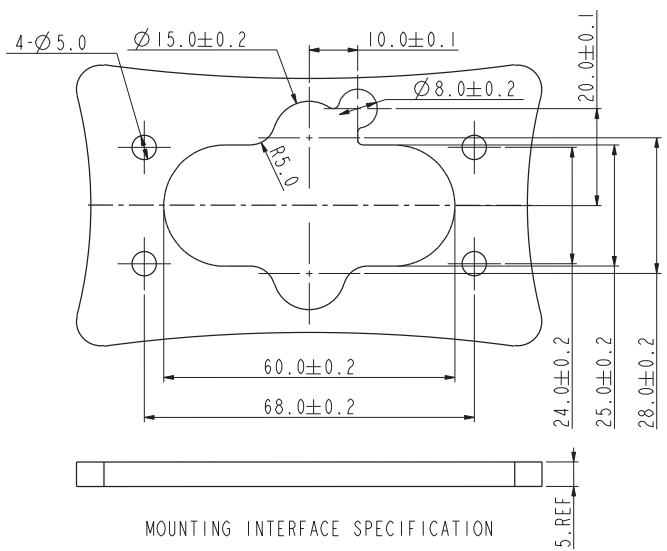
Excellent physical shock and vibration performance

BSM100A

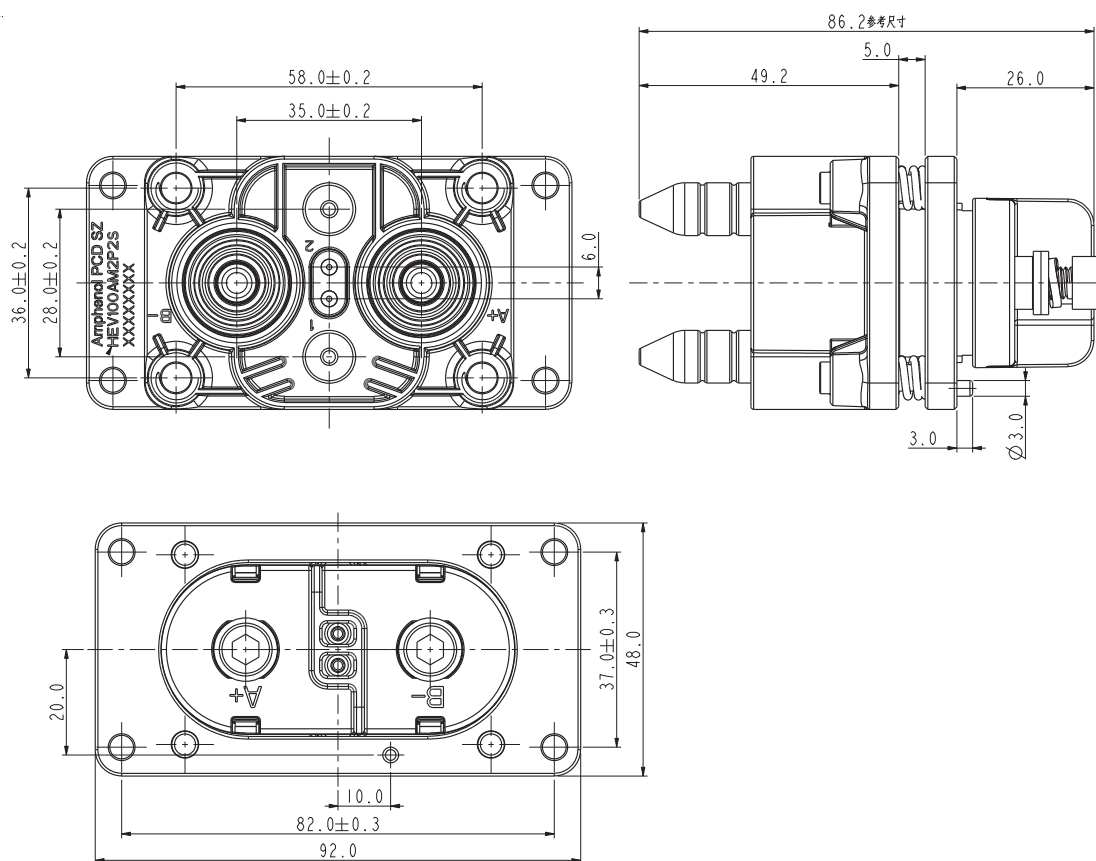
RECEPTACLE
P/N: HEV100AF2P2S



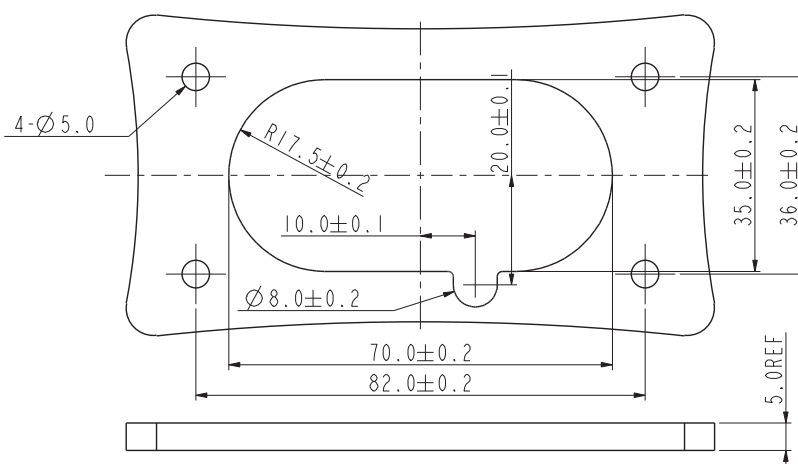
PANEL MOUNTING DIMENSIONS



PLUG
P/N: HEV100AM2P2S



PANEL MOUNTING DIMENSIONS



MOUNTING INTERFACE SPECIFICATION

BSM70A

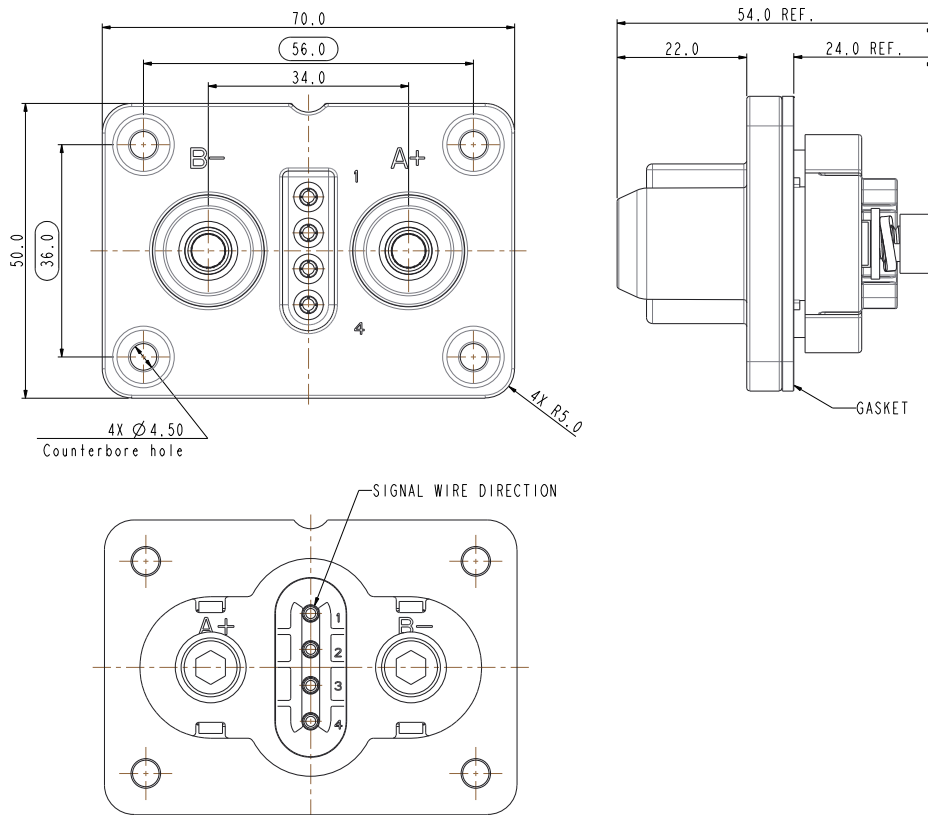


MECHANICAL	
Durability	≥ 3000 mating cycles
Insertion and extraction force	200N max
ELECTRICAL	
Rated current	Signal contact: 13A Power contact: 70A max
Rated voltage	Signal contact: 12 to 24V Power contact: 65V DC
Contact resistance	≤ 5mΩ
Insulator resistance	≥ 200MΩ
Dielectric withstanding voltage	1000V AC
ENVIRONMENTAL	
Temperature range	-30°C to 50°C
Temperature rise	≤ 55K

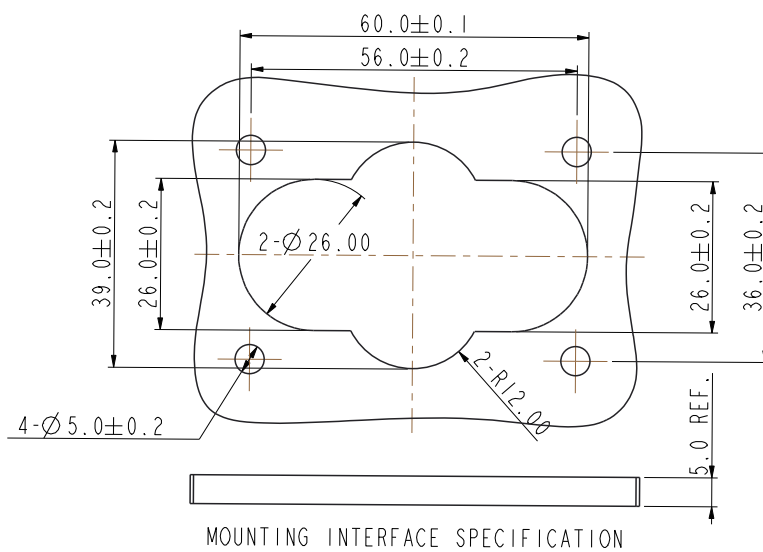
KEY FEATURES

- Blind mating with floating on X, Y, Z axes
- Deviation self-correction
- Collision prevention
- High durability
- Excellent physical shock and vibration performance

RECEPTACLE
P/N: HEV070AF2P4SF

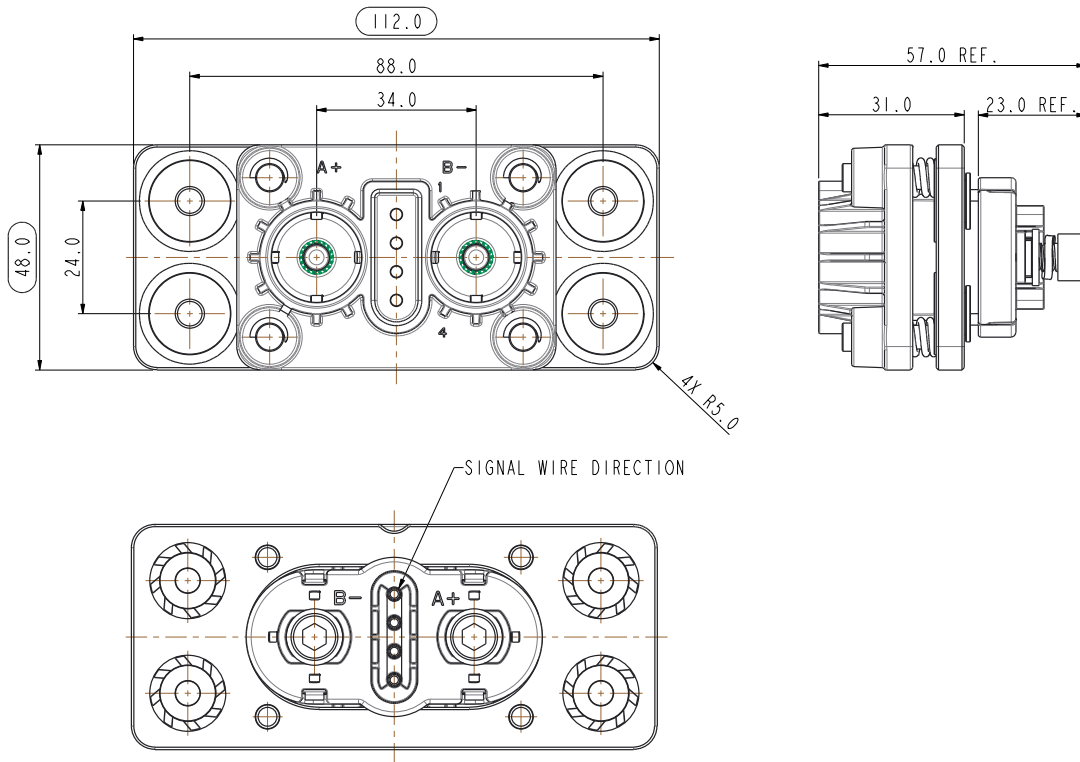


PANEL MOUNTING DIMENSIONS

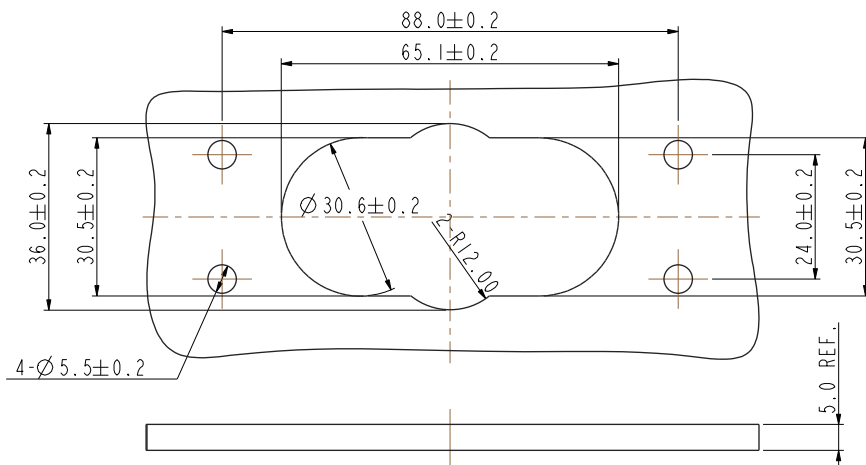


BSM70A

PLUG
P/N: HEV070AM2P4SF



PANEL MOUNTING DIMENSIONS



MOUNTING INTERFACE SPECIFICATION



MECHANICAL	
Durability	≥ 5000 mating cycles
Insertion and extraction force	200N max
ELECTRICAL	
Rated current	Signal contact: 5A max Power contact: 80A max
Rated voltage	Signal contact: 30V Power contact: 250V DC
Contact resistance	$\leq 5\text{m}\Omega$
Insulator resistance	$\geq 200\text{M}\Omega$
Dielectric withstanding voltage	1500V AC
ENVIRONMENTAL	
Temperature range	-30°C to 50°C
Temperature rise	$\leq 55^\circ\text{C}$
Sealing	IP67 (mated)

KEY FEATURES

Quick mating

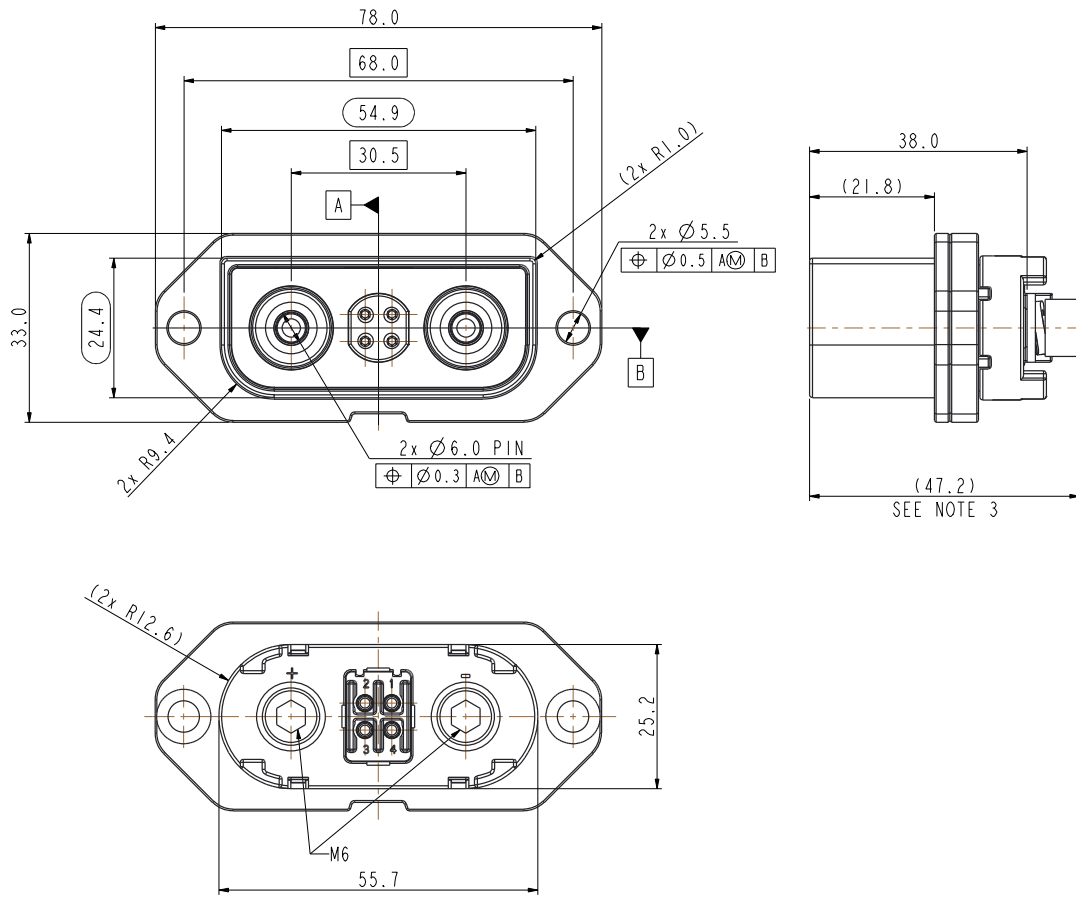
Sealing, IP67

High durability

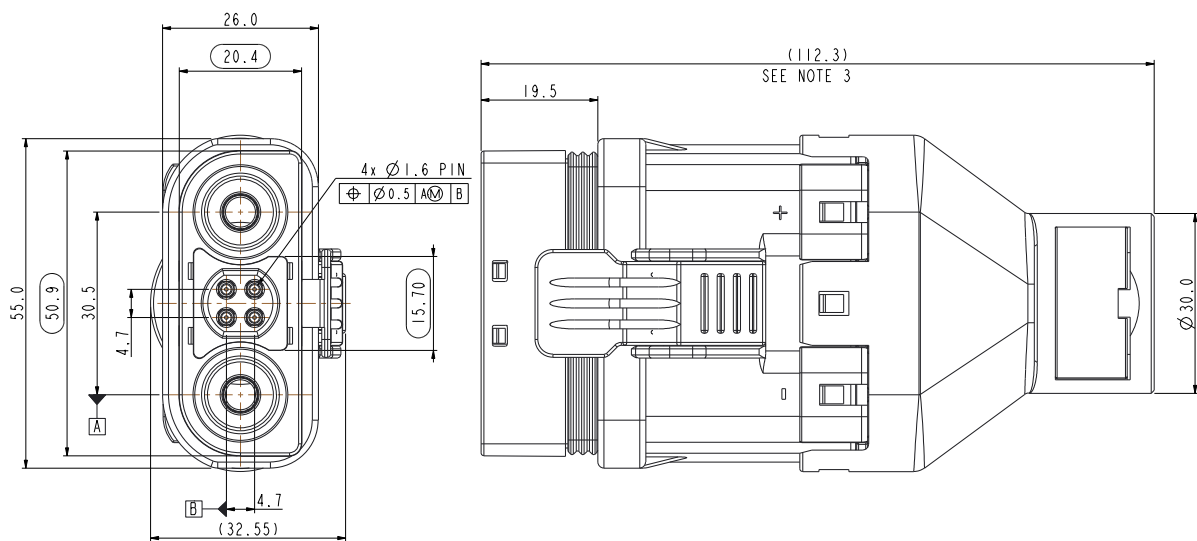
Excellent physical shock and vibration performance

BSM80A

RECEPTACLE
P/N: HEV080AF2P4SF



PLUG
P/N: HEV080AM2P4SF



Amphenol PCD Shenzhen

Building 21
1st Liao Keng Industrial Zone
Shi Yan Street, Bao An District Shenzhen 518108
China

Tel.: +86 755-8173-8000
Fax: +86 755-8173-8180
Email: inquiry@amphenolpcd.com.cn

www.amphenolpcd.com.cn

Notes:

Amphenol PCD Shenzhen has made every effort to ensure that the information contained in this catalog is accurate at the time of publication. Specifications or information stated in this publication are subject to change without notice.

Amphenol PCD Shenzhen reserves the right to clarify this catalog.