

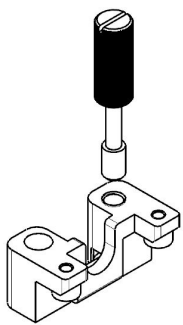
heavy|mate® screw adapter

Advantages

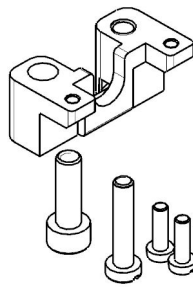
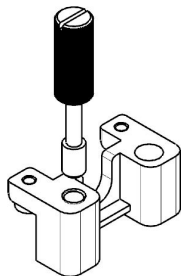
- cost-effective and secure connection
- flying connection or panel mounting possible
- advantages against market standard: panel mounting from outside (N 09 146 0028) und inside (N 09 146 0038) possible

Application

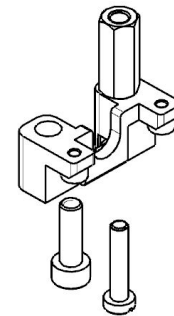
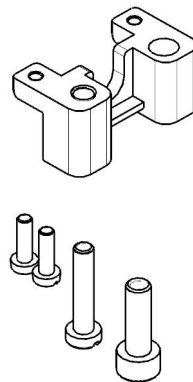
- cabling in the cable cabinet
- cabling without tightness requirements
- assembly unit/ machines, automation, railway



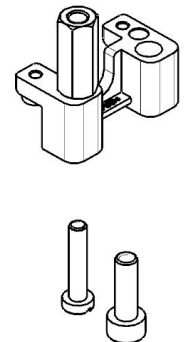
N 09 146 0018



N 09 146 0028



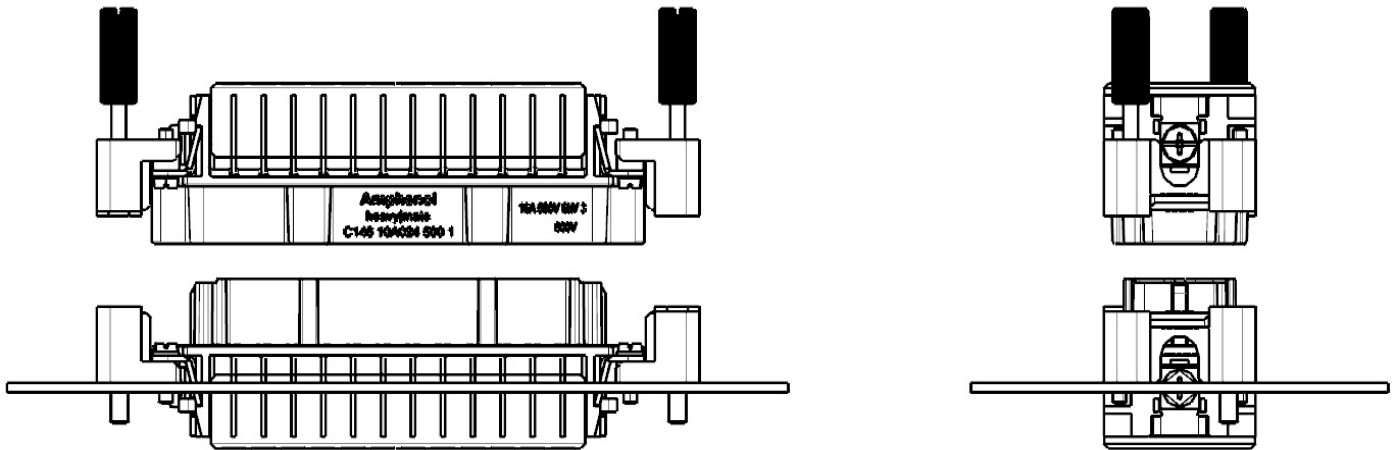
N 09 146 0038



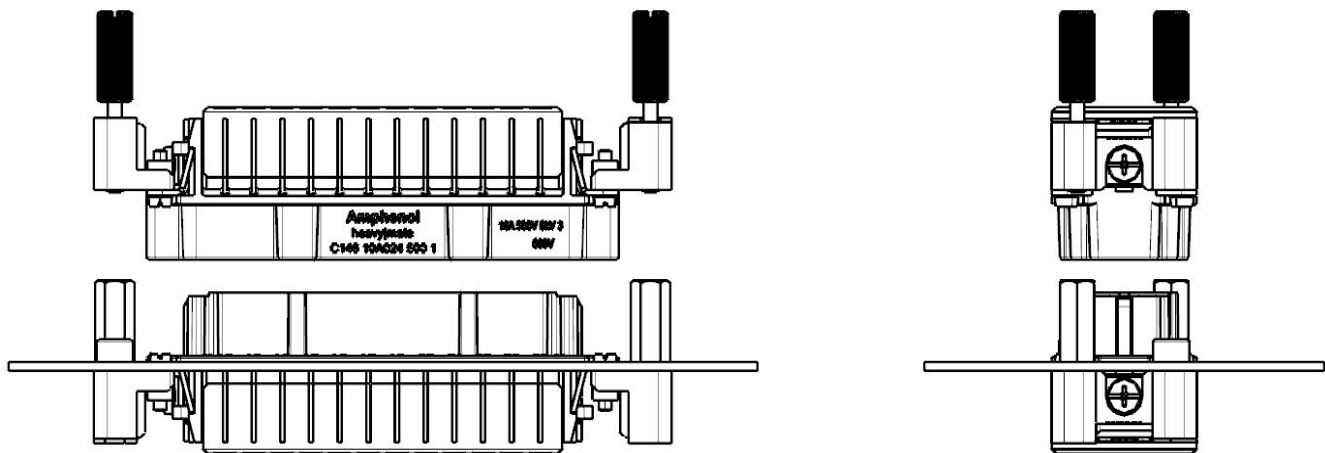
Part number	Description
N 09 146 0018	screw adapter cable side
N 09 146 0028	screw adapter mounting side (assembly from outside the cabinet like market standard)
N 09 146 0038	screw adapter mounting side (assembly from inside the cabinet)

Assembly situation at switch cabinet

Assembly from outside the cabinet (like market standard):



Assembly from inside the cabinet:



Advantages:

- it's not necessary to thread the cable from outside into the cabinet
- pre assembled cassy can be placed in the cabinet, afterwards the connector can be screwed in the allocated cutout

Pay attention to the strain relief of the cables - e.g. with our shield levers