

# heavy | mate F

## 40A and 70A module

### • Advantage:

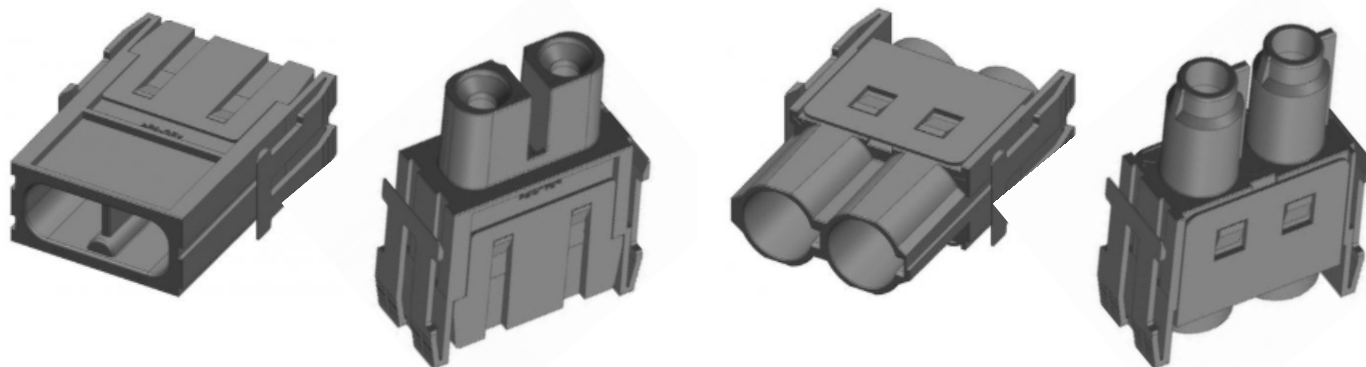
- Small manufactured size
- Combinable with Signal-, Data- and additional Power modules in the connector
- Compatible to market standard
- Insertable in housings from IP65 to IP69k

### • Application:

- Railway
- Machine building
- Automation



Technical Datas:



heavy mate F	40 A Module
General Characteristics	Value
Number of contacts	2
Termination technique	Crimp
Contact	4,0 mm
Max terminal cross-section	10
MIn terminal cross-section	1,5
Electrical Characteristics	Value
Rated voltage	1000 V
Rated current $T_{amb} = 40^{\circ}C$	40 A
Climatical Characteristics	Value
Upper temperature	+125°C
Lower temperature	-40°C
Protection class	IP20
Part numbers	
Pin module	C146 10A002 602 15
Socket module	C146 10B002 602 15
Contacts	
Pin contact for 1,5 mm <sup>2</sup> wire gauge	VN01 040 0010 1
Pin contact for 2,5 mm <sup>2</sup> wire gauge	VN01 040 0011 1
Pin contact for 4,0 mm <sup>2</sup> wire gauge	VN01 040 0012 1
Pin contact for 6,0 mm <sup>2</sup> wire gauge	VN01 040 0013 1
Pin contact for 10 mm <sup>2</sup> wire gauge	VN01 040 0015 1
Socket contact for 1,5 mm <sup>2</sup> wire gauge	VN02 040 0010 1
Socket contact for 2,5 mm <sup>2</sup> wire gauge	VN02 040 0011 1
Socket contact for 4,0 mm <sup>2</sup> wire gauge	VN02 040 0012 1
Socket contact for 6,0 mm <sup>2</sup> wire gauge	VN02 040 0013 1
Socket contact for 10 mm <sup>2</sup> wire gauge	VN02 040 0015 1

heavy mate F	70 A Module
General Characteristics	Value
Number of contacts	2
Termination technique	Crimp
Contact	6,0 mm
Max terminal cross-section	25
MIn terminal cross-section	10
Electrical Characteristics	Value
Rated voltage	1000 V
Rated current $T_{amb} = 40^{\circ}C$	70 A
Climatical Characteristics	Value
Upper temperature	+125°C
Lower temperature	-40°C
Protection class	IP20
Part numbers	
Pin module	C146 10A002 601 15
Socket module	C146 10B002 601 15
Contacts	
Pin contact for 10 mm <sup>2</sup> wire gauge	N01 060 0023 1
Pin contact for 16 mm <sup>2</sup> wire gauge	N01 060 0024 1
Pin contact for 25 mm <sup>2</sup> wire gauge	N01 060 0025 1
Socket contact for 10 mm <sup>2</sup> wire gauge	N02 060 0023 1
Socket contact for 16 mm <sup>2</sup> wire gauge	N02 060 0024 1
Socket contact for 25 mm <sup>2</sup> wire gauge	N02 060 0025 1

Compatible frames, housings and additional moduls you can find in our heavy|mate catalogue or at our website on heavy|mate F page.



Catalogue  
heavy|mate