

# heavy|mate easy mount®

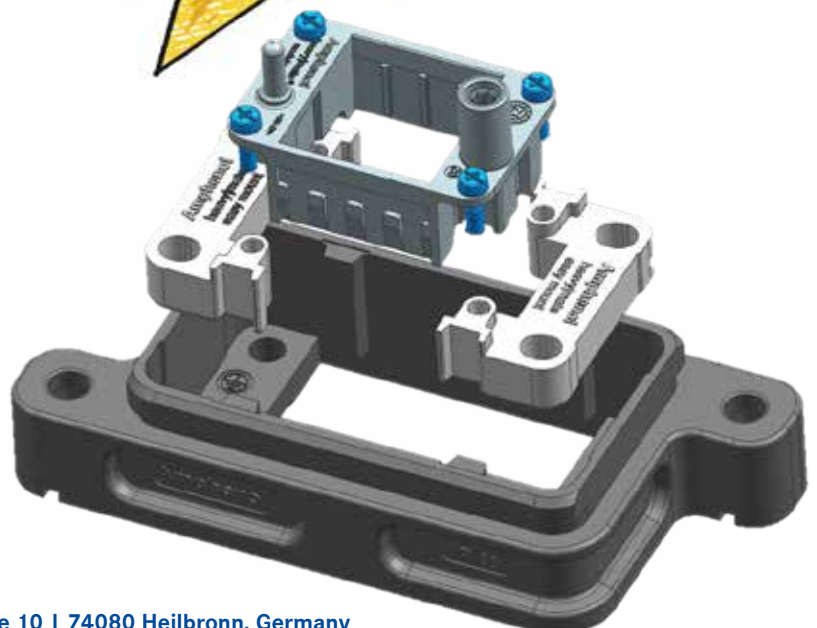
## Evolution of IP68 / IP69K housings

### Advantages

- Assembly of the insert from the rear side of the IP68 / IP69K housing
- Much easier in the final assembly
- Final assembly possible with less staff training
- Enormous time saving during final assembly

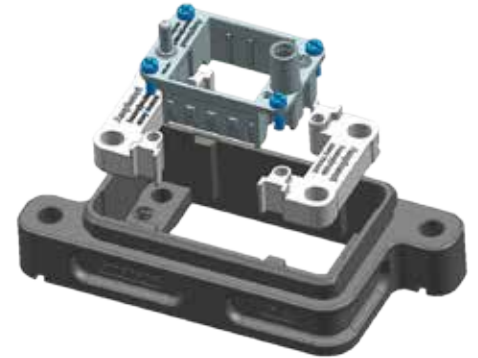


heavy|mate easy mount®  
simply easy



## Technical Data

General Characteristics	Standard	Value
Type		Bulkhead Housing
Protection class	IEC 60529	IP68 / IP69K
Locking System		screw
Climatical Characteristics	Standard	Value
Climatic category	IEC 60068-1	40 / 125 / 21
Temperature range	IEC 60068-1	-40°C / +125°C
Upper temperature	IEC 60512-11-9	+125°C
Lower temperature	IEC60512-11-10	-40°C
Mechanical Characteristics	Standard	Value
Mechanical operation	IEC 60512-9-1	≥ 500 mating cycles
Material		
Housing	Aluminium die cast alloy	
Adapter easy mount®	Aluminium die cast alloy	
Sealing	Silicone	
Surface of housing	powder coated	
color of housing	based on powder coating RAL 9005	
Partnumber		
C146 68F006 011 1	housing easy mount® Size E6	
C146 68F010 011 1	housing easy mount® Size E10	
C146 68F016 011 1	housing easy mount® Size E16	
C146 68F024 011 1	housing easy mount® Size E24	



### Assembly steps



Also at YouTube available - <https://youtu.be/Z4YtMpC-zg8>

#### General Information

We reserve the right to change the design due to improvement in quality, development or production requirements. This data sheet must not be used in any form or manner without our prior approval in writing (Copyright, Law, Fair Trading Law, Civil Code). All technical data have been measured in a laboratory environment and can be different during practical usage of the product. Any product information is for descriptive usage only and not legally binding; particularly the information does not constitute or provide any legal guaranties ("Beschaffungsgarantie" or "Haltbarkeitsgarantie")