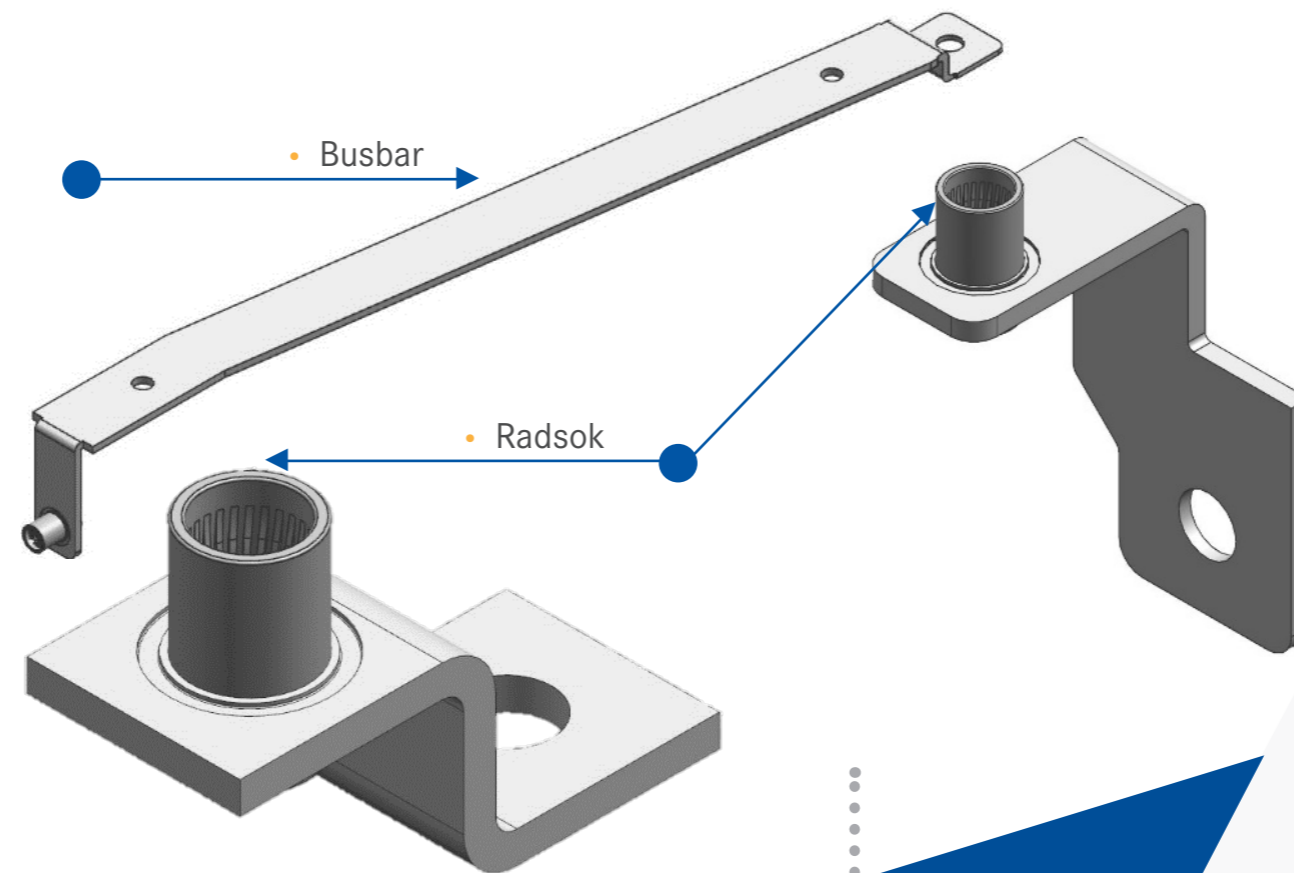


VARIOUS OPTIONS:

- Radsok press-in
- Ultrasonic welding
- Engineering service
- Adaptability to different space
 - ▶ Custom design available
- Isolation e.g. heat shrink tube, overmolded
- Flexible busbars
- Robust and reliable



UNIVERSAL USE IN VARIOUS APPLICATIONS:

- Battery- and energy storage
- Charging applications
- Power distribution unit

CONTACT DETAILS:

🌐 www.amphenol-industrial.de
✉ industrial@amphenol.de
☎ +49 7131 929 0
📍 August-Haeusser-Str. 10
74080 Heilbronn
Germany

