

Hybrid Motor Connection Motion|grade™ M23

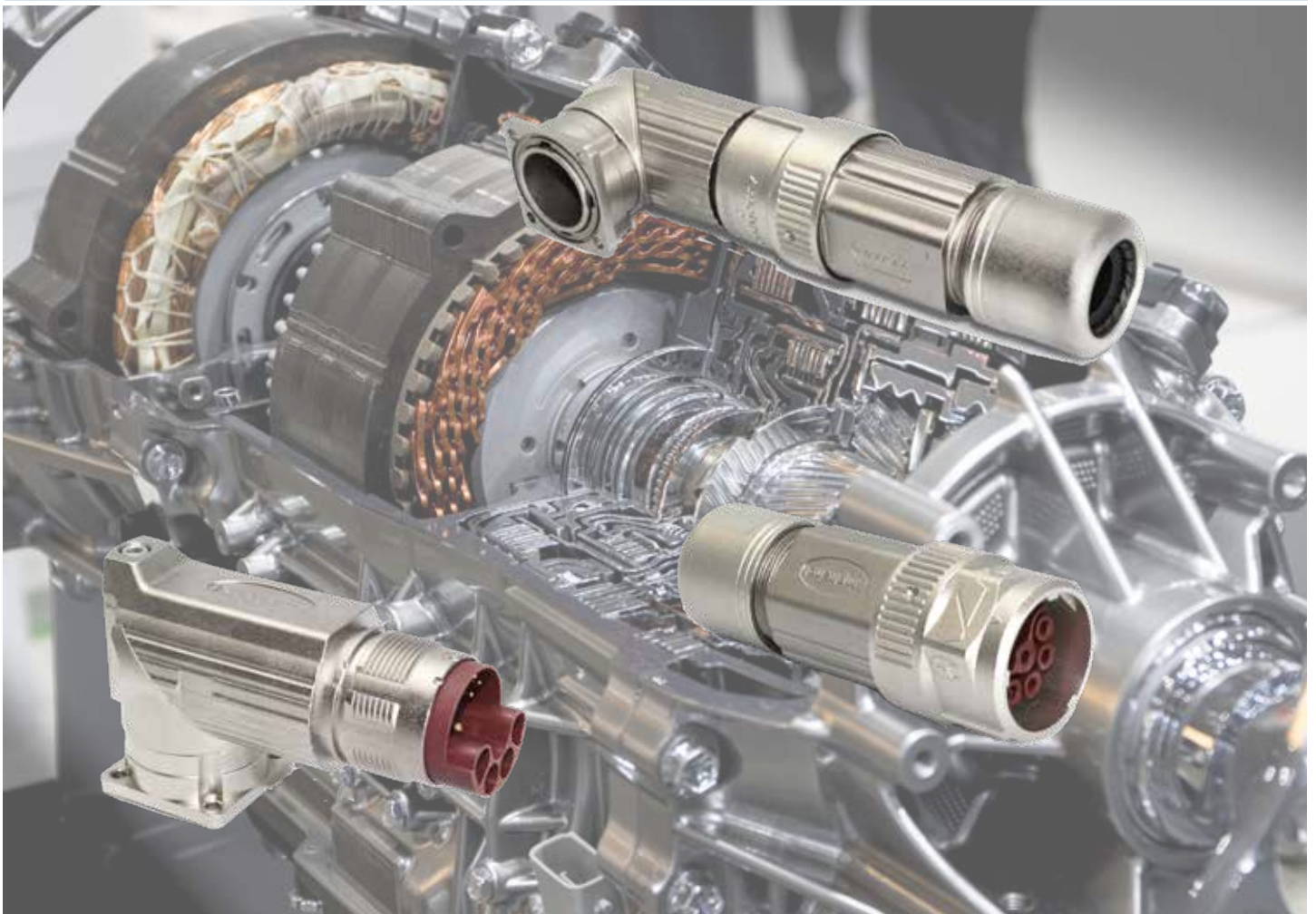
4+PE Power, 6 Signal, Quintax for Datas

Advantage

- Save space in the application - one cable solution
- Check|mate™ - Quick locking system
- Mateable with the market standard
- Straight cable plug and 90° receptacle
- Optimal shielding
- Power, Signal and Data in one connector
- ...

Area of application

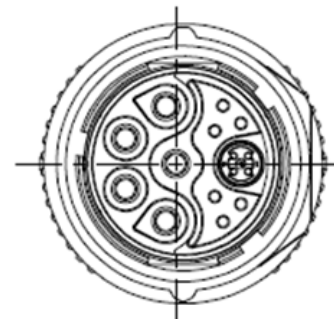
- Connector for electric motors
- ...



Technical data (unless otherwise specified)

General characteristics	Standard	Value		
Number of contacts		4+PE Power	6 Power	Quintax datas
Terminal technique				
Wire gauge				
Max. insulation cross section				
Elektrische Kennwerte	Standard	Power	Signal	Ethernet
Rated voltage		630V AC / 850V DC	30V AC / 50V DC	30V AC/DC
Pollution degree	UL840		3	
Overtoltage category	UL840		III	
Rated impulse voltage				
Rated current T _{amb} = 40°C		30 A	1,2 A	1,2 A
Leakage current milliamps		6000V AC	1500V AC	500V AC
Insulation resistance			lower 2	
Climatical characteristics				
Upper temperature			+130°C	
Lower temperature			-20°C	
Material	Standard			
Isolation insert	UL94		PA66 / V0	
Sealing			Viton / Silicon / EPDM	
Housing			Zinc Die Cast / nickel plated	
Locking screws			Zinc Die Cast / nickel plated	
Protection class (connected)			IP67	
Mechanical operation			>500	

Part numbers	Description
MB5CKN15H00-S1	Cable Connector female Hybrid 7,5mm - 11,0mm
MB5CKN15H00-S2	Cable Connector female Hybrid 11,0mm - 14,5mm
MB5CKN15H00-S3	Cable Connector female Hybrid 14,5mm - 17,0mm
SC000460	Contact female 0,6 mm for MB5CKN15H00
SC000466	Contact female 1 mm for MB5CKN15H00
SC000462	Contact female 2 mm for MB5CKN15H00
MB5RJN15H01	Male receptacles Hybrid
SC000459	Contact male 0,6 mm for MB5 RJN 15H01
SC000465	Contact male 1 mm for MB5 RJN 15H01
SC000463	Contact male 2 mm for MB5 RJN 15H01



General Information

We reserve the right to change the design due to improvement in quality, development or production requirements. This data sheet must not be used in any form or manner without our prior approval in writing (Copyright, Law, Fair Trading Law, Civil Code). All technical data have been measured in a laboratory environment and can be different during practical usage of the product. Any product information is for descriptive usage only and not legally binding; particularly the information does not constitute or provide any legal guaranties ("Beschaffenheitsgarantie" or "Haltbarkeitsgarantie")

Amphenol Tuchel Industrial GmbH | August-Haeusser Strasse 10 | 74080 Heilbronn, Germany
Phone: +49 7131 929-0 | E-mail: industrial@amphenol.de | www.amphenol-industrial.de