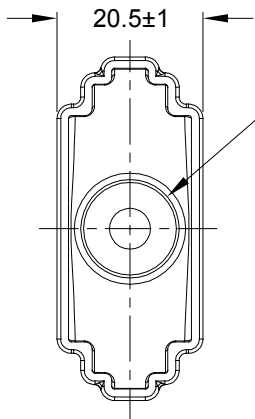
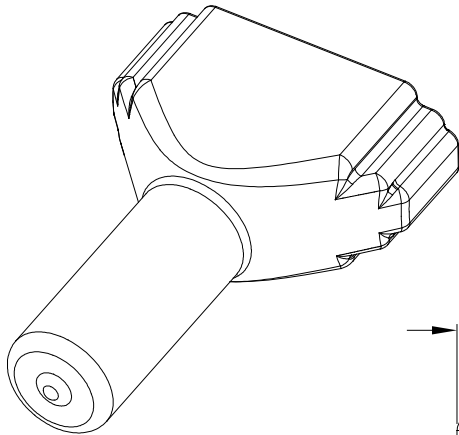
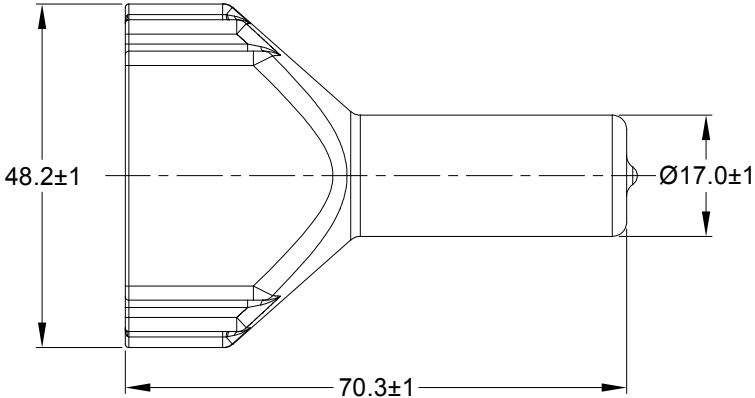


REVISIONS					
REV	ECO	DESCRIPTION	DATE	BY	APPR
A1	-	RELEASE NUMBER	28AUG19	BROOK	TOMMY



Ø13.8±1.0
CABLE JACKET AREA



PART NUMBER CHART	
COLOR	PART NUMBER
GREY	AT12S-BT
BLACK	AT12S-BT-BK
YELLOW	AT12S-BT-YW

NOTES: UNLESS OTHERWISE SPECIFIED

1. THIS PART IS USED ON AT06-12S PLUG WITH ANY MODIFICATION THAT DOES NOT INCLUDE AN END CAP.
2. TEMPERATURE RATING : -29°C TO +100°C [-20°F TO +212°F]
3. ALL DIMENSIONS ARE FOR REFERENCE USE ONLY.

SEE PART NUMBER CHART		REF: DT12S-BT , DT12S-BT-BK , DT12S-YW			
PART NUMBER		DESCRIPTION		ITEM	
QUANTITY	MATERIALS LIST				
UNLESS OTHERWISE SPECIFIED 1) All dimensions are in metric(mm). 2) Tolerances are as follows: 1 PL DEC ±0.30 Fractions ±1/64 2 PL DEC ±0.15 Angles ±1° 3 PL DEC ±0.08 3) Note reference =		SIGNATURES DATE DRAWN: BROOK.DING 28AUG19 CHECKED: ORION.LI 28AUG19 ENGINEER: APPROVAL: TOMMY.XIE 28AUG19 CUSTOMER:		<h1>Amphenol</h1> Sine Systems - www.amphenol-sine.com 44724 Morley Drive Clinton Township, MI 48036	
MATERIAL SPECIFICATIONS: PVC		THIS DRAWING IS SUPPLIED FOR INFORMATION ONLY. DESIGN FEATURES, SPECIFICATIONS AND PERFORMANCE DATA SHOWN HEREON ARE THE PROPERTY OF THE AMPHENOL CORPORATION. NO RIGHTS OF REPRODUCTION ARE IMPLIED. ALL DIMENSIONS ARE SUBJECT TO NORMAL MANUFACTURING VARIATIONS.		BOOT ,AT ,12 WAY,PLUG	
PROCESS SPECIFICATIONS:		SIZE TYPE DWG NO: REVISION A C- AT12S-BT-XX A1			
NEXT ASSY:		SCALE: NONE		SHEET 1 OF 1	