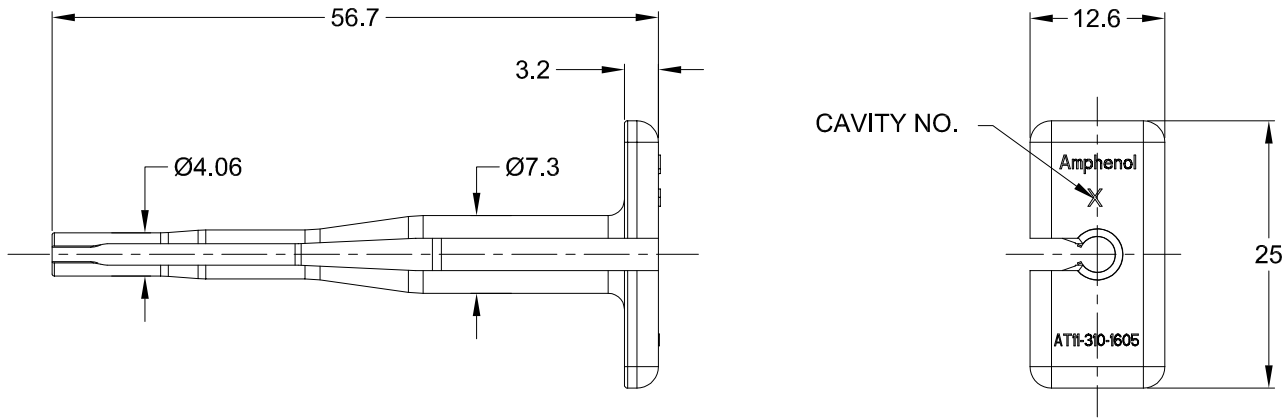


REVISIONS					
REV	ECO	DESCRIPTION	DATE	BY	APPR
A1		NEW RELEASE	01/AUG/14	JARRY	



NOTES: UNLESS OTHERWISE SPECIFIED

1. MATERIAL: THERMOPLASTIC; COLOR: LIGHT BLUE
2. RoHS COMPLIANT
3. ALL DIMENSIONS ARE FOR REFERENCE USE ONLY.

AT11-310-1605				
PART NUMBER		DESCRIPTION		ITEM
QUANTITY	MATERIALS LIST			
UNLESS OTHERWISE SPECIFIED		SIGNATURES		DATE
1) All dimensions are in metric (mm).		DRAWN: JARRY		01/AUG/14
2) Tolerances are as follows:		CHECKED:		
1 PL DEC ±0.30		ENGINEER:		
2 PL DEC ±0.15		APPROVAL:		
3 PL DEC ±0.08		CUSTOMER:		
3) Note reference =		THIS DRAWING IS SUPPLIED FOR INFORMATION ONLY. DESIGN FEATURES, SPECIFICATIONS AND PERFORMANCE DATA SHOWN HEREON ARE THE PROPERTY OF THE AMPHENOL CORPORATION. NO RIGHTS OF REPRODUCTION ARE IMPLIED. ALL DIMENSIONS ARE SUBJECT TO NORMAL MANUFACTURING VARIATIONS.		
MATERIAL SPECIFICATIONS:		SIZE		REVISION
PROCESS SPECIFICATIONS:		A C-		A1
NEXT ASSY:		DWG NO:		
		AT11-310-1605		
		SCALE: NONE		SHEET 1 OF 1

# Amphenol

Sine Systems - [www.amphenol-sine.com](http://www.amphenol-sine.com)  
 44724 Morley Drive  
 Clinton Township, MI 48036

PROBE TOOL, EXTRACTION SIZE 16