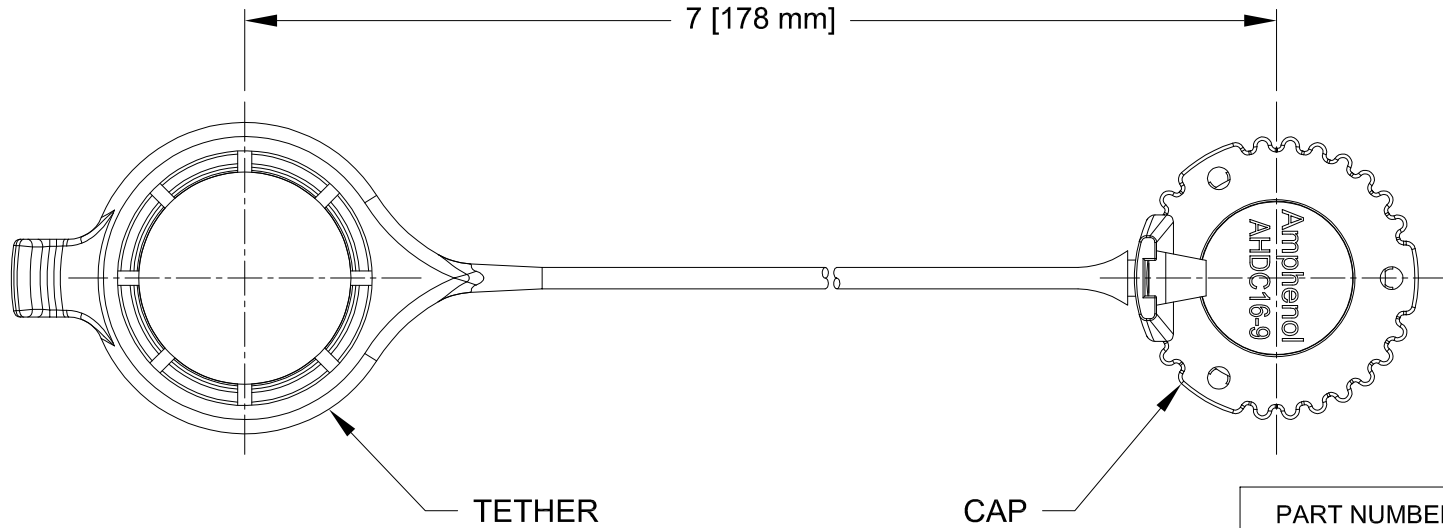


REVISIONS					
REV	ECO	DESCRIPTION	DATE	BY	APPR
A3		RELEASE NEW DWG FORMAT	03SEP13	JARRY	



PART NUMBER CHART	
COLOR	PART NUMBER
GREY	AHDC169-T
BLACK	AHDC169-T-BLK

QUANTITY	PART NUMBER	DESCRIPTION	ITEM
1	AHDC-09T	TETHER	2
1	AHDC-16-9-XXX	CAP	1

NOTES: UNLESS OTHERWISE SPECIFIED

1. COMPATIBLE WITH AHD SERIES 9 POSITION RECEPTACLES
2. ALL COMPONENTS ARE RoHS COMPLIANT.
3. ALL DIMENSIONS ARE FOR REFERENCE USE ONLY.

MATERIALS LIST

<p>UNLESS OTHERWISE SPECIFIED</p> <p>1) All dimensions are in metric (mm).</p> <p>2) Tolerances are as follows:</p> <table border="0"> <tr> <td>1 PL DEC ±0.30</td> <td rowspan="3">Fractions ±1/64</td> </tr> <tr> <td>2 PL DEC ±0.15</td> </tr> <tr> <td>3 PL DEC ±0.08</td> </tr> </table> <p>3) Note reference = </p>	1 PL DEC ±0.30	Fractions ±1/64	2 PL DEC ±0.15	3 PL DEC ±0.08	SIGNATURES		DATE	<h1>Amphenol</h1> <p>Sine Systems - www.amphenol-sine.com 44724 Morley Drive Clinton Township, MI 48036</p> <p>AHD CAP WITH TETHER</p>										
	1 PL DEC ±0.30		Fractions ±1/64															
	2 PL DEC ±0.15																	
	3 PL DEC ±0.08																	
DRAWN: JARRY		03SEP13																
CHECKED:																		
ENGINEER:																		
APPROVAL:				<table border="1"> <tr> <td>SIZE</td> <td>TYPE</td> <td>DWG NO:</td> <td>REVISION</td> </tr> <tr> <td>A</td> <td>C-</td> <td>AHDC169-T-XXX</td> <td>A3</td> </tr> <tr> <td colspan="2">SCALE: NONE</td> <td>SHEET 1</td> <td>OF 1</td> </tr> </table>			SIZE	TYPE	DWG NO:	REVISION	A	C-	AHDC169-T-XXX	A3	SCALE: NONE		SHEET 1	OF 1
SIZE	TYPE	DWG NO:	REVISION															
A	C-	AHDC169-T-XXX	A3															
SCALE: NONE		SHEET 1	OF 1															
MATERIAL SPECIFICATIONS:		CUSTOMER:																
PROCESS SPECIFICATIONS:		THIS DRAWING IS SUPPLIED FOR INFORMATION ONLY. DESIGN FEATURES, SPECIFICATIONS AND PERFORMANCE DATA SHOWN HEREON ARE THE PROPERTY OF THE AMPHENOL CORPORATION. NO RIGHTS OF REPRODUCTION ARE IMPLIED. ALL DIMENSIONS ARE SUBJECT TO NORMAL MANUFACTURING VARIATIONS.																
NEXT ASSY:																		