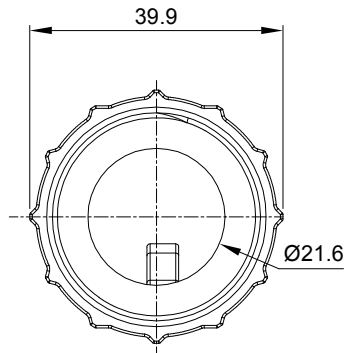
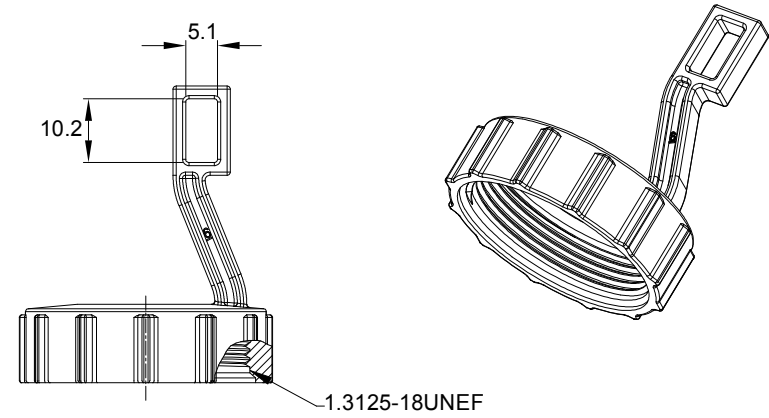
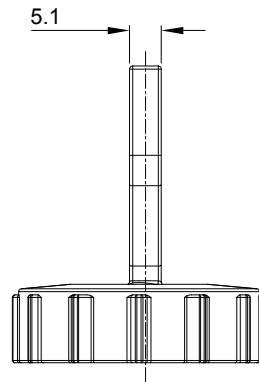
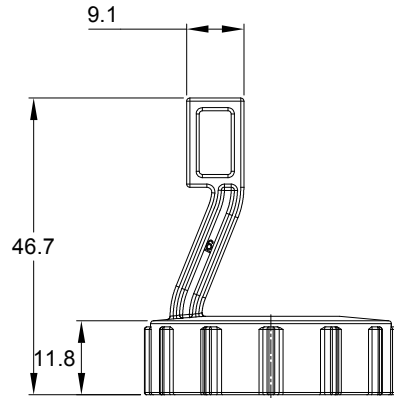


| REVISIONS |        |  |         |       |       |
|-----------|--------|--|---------|-------|-------|
| REV       | ECO    | DESCRIPTION  | DATE    | BY    | APPR  |
| A1        | -      | RELEASE NEW DRAWING  | 15JUN18 | RIMON | TOMMY |
| A2        | C0964S | INCREASE ROUND CORNER OF ARM, ADD COLOURS AND CHANGE THE MATERIAL. | 19DEC18 | PETER | TOMMY |



NOTES: UNLESS OTHERWISE SPECIFIED

1. MATERIAL: THERMOPLASTIC; COLOR: GREY
2. COMPATIBLE WITH AHD 6 POSITION.
3. RoHS COMPLIANT.
4. ALL DIMENSIONS ARE FOR REFERENCE USE ONLY.

TITLE: STRAIN RELIEF AHD 6 PIN TY-RAP  
 DWG NO.: AHD18-006  
 REV: A2  
 SH: 1  
 OF: 1

| AHD18-006  |                       | DESCRIPTION  |  | ITEM  |
|--|-----------------------|--|--|---|
| PART NUMBER  |                       |  |  |   |
| QUANTITY   | <b>MATERIALS LIST</b> |  |  |   |
| <b>UNLESS OTHERWISE SPECIFIED:</b><br>1) All dimensions are in metric(mm).<br>2) Tolerances are as follows:<br>1 PL DEC ±0.30 Fractions ±1/64<br>2 PL DEC ±0.15 Angles ±1°<br>3 PL DEC ±0.08 |                       | <b>SIGNATURES</b><br>DRAWN: PETER<br>CHECKED: ORION LI<br>ENGINEER:<br>APPROVAL: TOMMY XIE   | <b>DATE</b><br>19DEC18<br>19DEC18<br>19DEC18 | <b>Amphenol</b><br>Sine Systems - www.amphenol-sine.com<br>44724 Morley Drive<br>Clinton Township, MI 48036 |
| MATERIAL SPECIFICATIONS:   |                       | CUSTOMER:  |  | STRAIN RELIEF AHD 6 PIN TY-RAP  |
| PROCESS SPECIFICATIONS:  |                       | THIS DRAWING IS SUPPLIED FOR INFORMATION ONLY. DESIGN FEATURES, SPECIFICATIONS AND PERFORMANCE DATA SHOWN HEREON ARE THE PROPERTY OF THE AMPHENOL CORPORATION. NO RIGHTS OF REPRODUCTION ARE IMPLIED. ALL DIMENSIONS ARE SUBJECT TO NORMAL MANUFACTURING VARIATIONS. |  | SCALE: NONE<br>SIZE: B C-<br>DWG NO: AHD18-006<br>REVISION: A2  |
| NEXT ASSY:   |                       | SCALE: NONE  |  | SHEET 1 OF 1  |