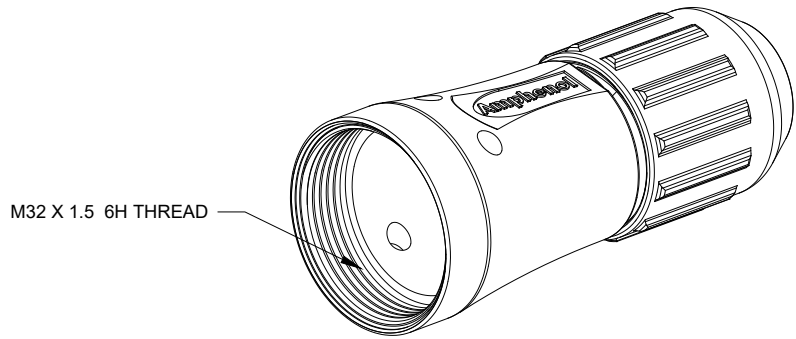
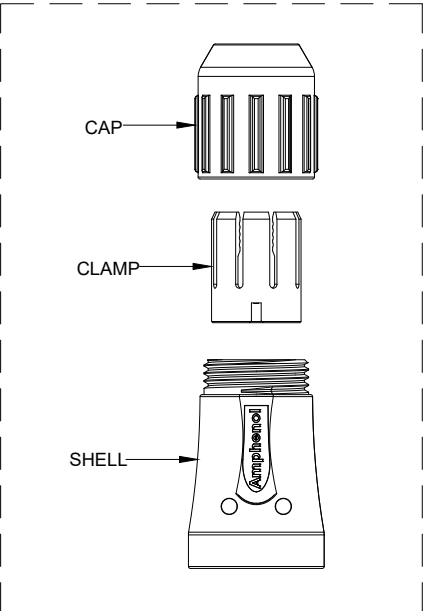
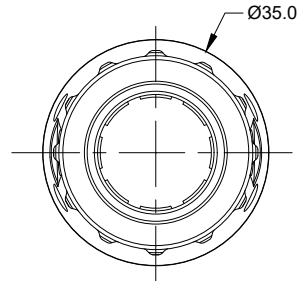
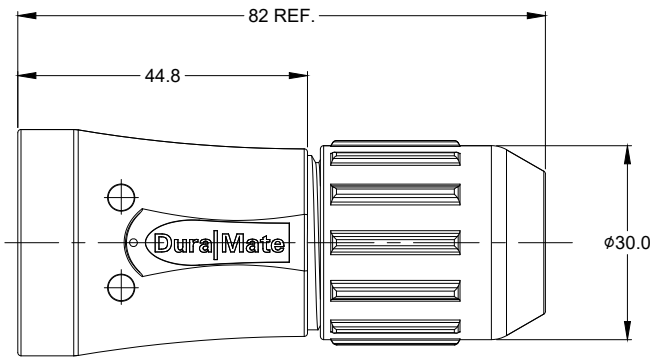


REVISIONS					
REV	ECO	DESCRIPTION	DATE	BY	APPR
A1	--	RELEASE NEW DRAWING	26/SEP/18	ROOKIE	TOMMY



NOTES: UNLESS OTHERWISE SPECIFIED

- MATERIAL:  
SHELL: ALUMINIUM ALLOY, NICKEL PLATED;  
CAP AND CLAMP: THERMOPLASTIC.
- USE WITH AHDM SERIES SIZE 18 MODIFICATION .
- APPLY TO CABLE OD SIZE:  $\phi 14.5 \sim \phi 18.0$  .
- RoHS COMPLIANT.
- ALL DIMENSIONS ARE FOR REFERENCE USE ONLY.

TITLE: BACKSHELL, 18 SZ, AHDM  
DWG NO: AHDMS-18-002  
REV: A1  
SH: 1  
OF: 1

AHDMS-18-002		DESCRIPTION		ITEM
PART NUMBER				
<b>MATERIALS LIST</b>				
QUANTITY UNLESS OTHERWISE SPECIFIED 1) All dimensions are in metric(mm). 2) Tolerances are as follows: 1 PL DEC $\pm 0.30$   Fractions $\pm 1/64$ 2 PL DEC $\pm 0.15$   Angles $\pm 1^\circ$ 3 PL DEC $\pm 0.08$ 3) Note reference = $\Delta$		SIGNATURES   DATE DRAWN: ROOKIE   26/SEP/18 CHECKED: ORION   26/SEP/18 ENGINEER: APPROVAL: TOMMY   26/SEP/18 CUSTOMER:		 Sine Systems - www.amphenol-sine.com 44724 Morley Drive Clinton Township, MI 48036 <b>BACKSHELL, 18 SZ, AHDM</b>
MATERIAL SPECIFICATIONS:  PROCESS SPECIFICATIONS:  NEXT ASSY:		THIS DRAWING IS SUPPLIED FOR INFORMATION ONLY. DESIGN FEATURES, SPECIFICATIONS AND PERFORMANCE DATA SHOWN HEREON ARE THE PROPERTY OF THE AMPHENOL CORPORATION. NO RIGHTS OF REPRODUCTION ARE IMPLIED. ALL DIMENSIONS ARE SUBJECT TO NORMAL MANUFACTURING VARIATIONS.		
		SIZE: <b>B C-</b>	DWG NO: <b>AHDMS-18-002</b>	REVISION: <b>A1</b>
		SCALE: <b>NONE</b>		SHEET <b>1</b> OF <b>1</b>