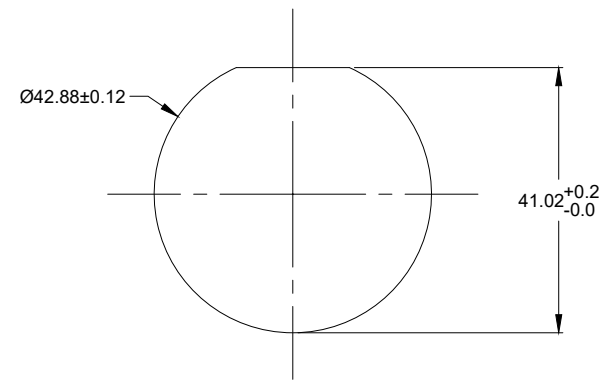
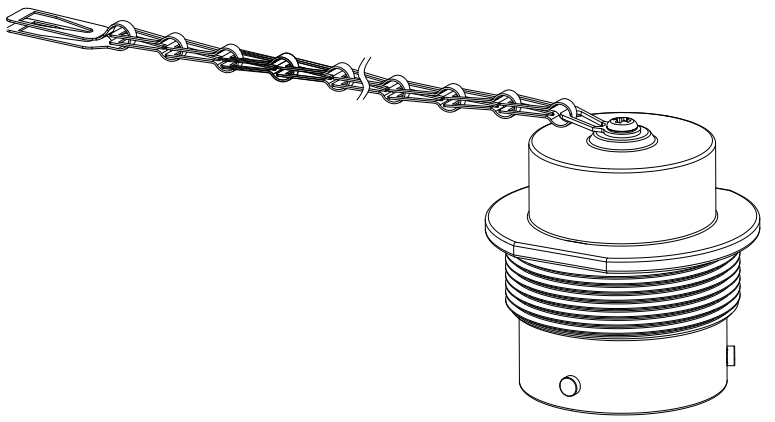
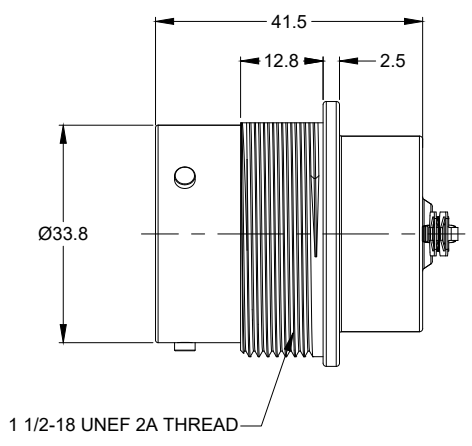


| REVISIONS | | | | | |
|-----------|-----|---------------------|-----------|--------|-------|
| REV | ECO | DESCRIPTION | DATE | BY | APPR |
| A1 | -- | RELEASE NEW DRAWING | 19/OCT/18 | ROOKIE | TOMMY |



RECOMMENDED PANEL MOUNTING HOLE
 RECOMMENDED PANEL THICKNESS: 1.6 TO 4.7MM

NOTES: UNLESS OTHERWISE SPECIFIED

- MATERIAL:
 SHELL: ALUMINUM ALLOY, NICKEL PLATED;
 CHAIN: STAINLESS STEEL;
 SEAL: SILICONE RUBBER.
- MATE WITH AHDM SERIES SIZE 18 PLUG (AHDM06-18-**** ,
 * = ALL MODIFICATION) .
- IP CLASS : IP67&IP69K (MATED CONDITION) .
- RoHS COMPLIANT.
- ALL DIMENSIONS ARE FOR REFERENCE USE ONLY.

TITLE: PROTECTIVE CAP FOR PLUG,AHDM,SIZE 18
 DWG NO.: AHDC34-18
 REV: A1
 SH: 1
 OF: 1

| AHDC34-18 | | DESCRIPTION | | ITEM |
|---|----------------|--|--------------------|---|
| PART NUMBER | | | | |
| QUANTITY | MATERIALS LIST | | | |
| UNLESS OTHERWISE SPECIFIED 1) All dimensions are in metric(mm). 2) Tolerances are as follows: 1 PL DEC ±0.30 Fractions ±1/64 2 PL DEC ±0.15 Angles ±1° 3 PL DEC ±0.08 3) Note reference = | | SIGNATURES | DATE | <h1>Amphenol</h1> <p>Sine Systems - www.amphenol-sine.com 44724 Morley Drive Clinton Township, MI 48036</p> |
| MATERIAL SPECIFICATIONS: | | DRAWN: ROOKIE | 19/OCT/18 | |
| PROCESS SPECIFICATIONS: | | CHECKED: ORION | 19/OCT/18 | |
| NEXT ASSY: | | ENGINEER: | | |
| | | APPROVAL: TOMMY | 19/OCT/18 | |
| | | CUSTOMER: | | |
| | | THIS DRAWING IS SUPPLIED FOR INFORMATION ONLY. DESIGN FEATURES, SPECIFICATIONS AND PERFORMANCE DATA SHOWN HEREON ARE THE PROPERTY OF THE AMPHENOL CORPORATION. NO RIGHTS OF REPRODUCTION ARE IMPLIED. ALL DIMENSIONS ARE SUBJECT TO NORMAL MANUFACTURING VARIATIONS. | | |
| | | SIZE: B C- | DWG NO.: AHDC34-18 | REVISION: A1 |
| | | SCALE: NONE | SHEET 1 OF 1 | |