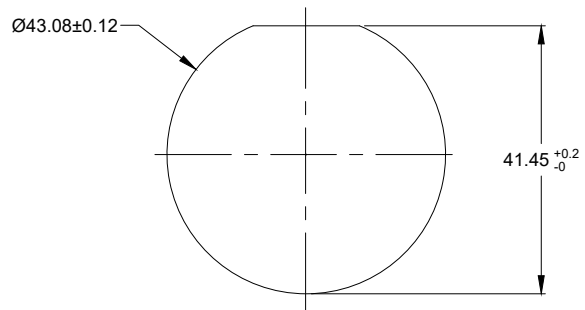
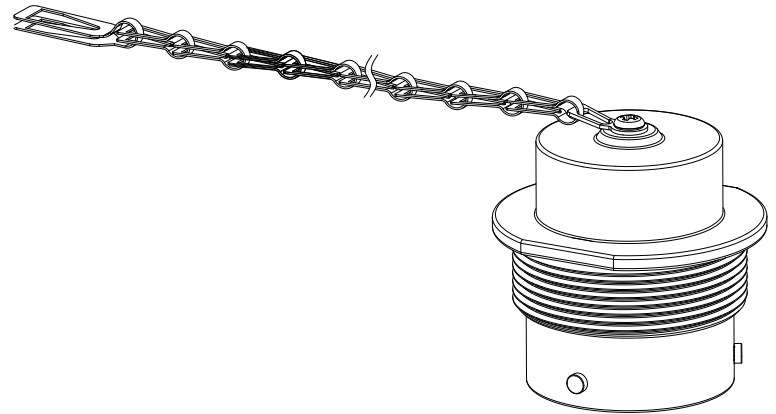
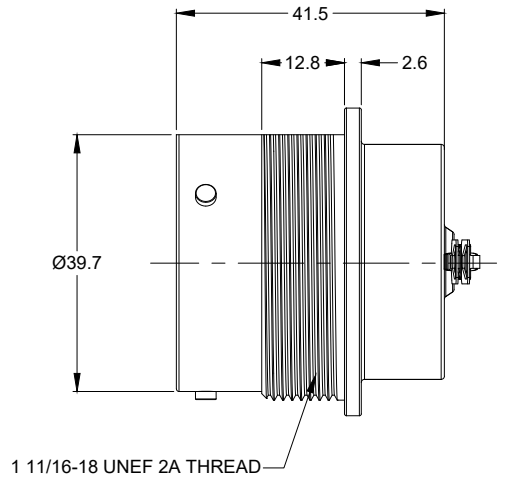
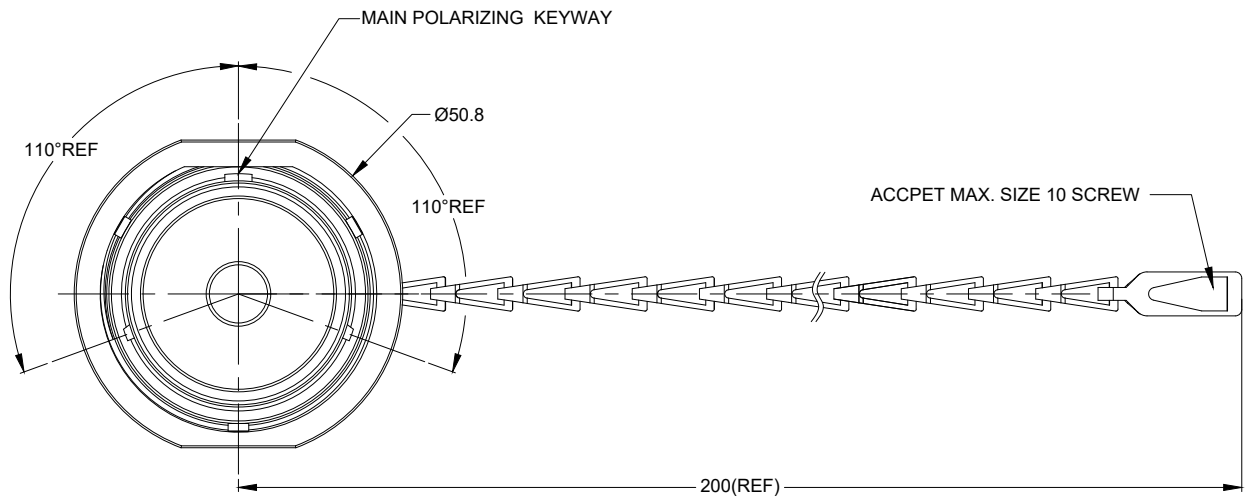


REVISIONS					
REV	ECO	DESCRIPTION	DATE	BY	APPR
A1	--	RELEASE NEW DRAWING	19/OCT/18	ROOKIE	TOMMY



RECOMMENDED PANEL MOUNTING HOLE

RECOMMENDED PANEL THICKNESS: 1.6 TO 4.7MM

NOTES: UNLESS OTHERWISE SPECIFIED

- MATERIAL:  
SHELL: ALUMINUM ALLOY, NICKEL PLATED;  
CHAIN: STAINLESS STEEL;  
SEAL: SILICONE RUBBER.
- MATE WITH AHDM SERIES SIZE 24 PLUG ( AHDM06-24-\*\*\*\* ,  
\* = ALL MODIFICATION ) .
- IP CLASS : IP67&IP69K ( MATED CONDITION ) .
- RoHS COMPLIANT.
- ALL DIMENSIONS ARE FOR REFERENCE USE ONLY.

AHDC34-24		DESCRIPTION		ITEM
QUANTITY	PART NUMBER	MATERIALS LIST		
UNLESS OTHERWISE SPECIFIED		SIGNATURES		DATE
1) All dimensions are in metric(mm).		DRAWN:	ROOKIE	19/OCT/18
2) Tolerances are as follows:		CHECKED:	ORION	19/OCT/18
1 PL DEC ±0.30   Fractions ±1/64		ENGINEER:		
2 PL DEC ±0.15   Angles ±1°		APPROVAL:	TOMMY	19/OCT/18
3) Note reference =		CUSTOMER:		
MATERIAL SPECIFICATIONS:		THIS DRAWING IS SUPPLIED FOR INFORMATION ONLY. DESIGN FEATURES, SPECIFICATIONS AND PERFORMANCE DATA SHOWN HEREON ARE THE PROPERTY OF THE AMPHENOL CORPORATION. NO RIGHTS OF REPRODUCTION ARE IMPLIED. ALL DIMENSIONS ARE SUBJECT TO NORMAL MANUFACTURING VARIATIONS.		
PROCESS SPECIFICATIONS:		SIZE	TYPE	DWG NO.
NEXT ASSY:		B	C-	AHDC34-24
		SCALE:	NONE	REVISION
				A1
		SHEET 1 OF 1		

TITLE: PROTECTIVE CAP FOR PLUG,AHDM SIZE 24  
DWG NO.: AHDC34-24  
REV: A1  
SH: 1  
OF: 1