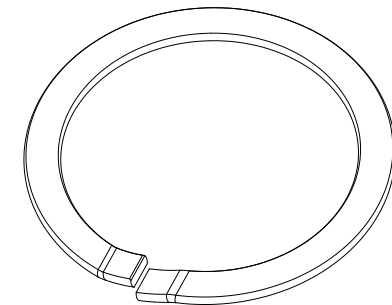
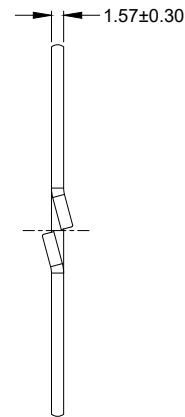
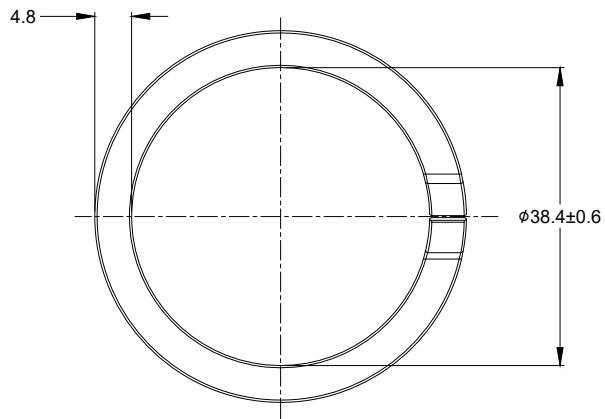


REVISIONS					
REV	ECO	DESCRIPTION	DATE	BY	APPR
A1	--	RELEASE NEW DRAWING	26/SEP/18	ROOKIE	TOMMY



NOTES: UNLESS OTHERWISE SPECIFIED

1. MATERIAL: STAINLESS STEEL.
2. USE WITH AHDM SERIES SIZE 18 RECEPTACLE.
3. RoHS COMPLIANT.
4. ALL DIMENSIONS ARE FOR REFERENCE USE ONLY.

TITLE: LOCKWASHER, AHDM, SIZE 18  
 DWG NO: A114021  
 REV: A1  
 SH: 1  
 OF: 1

A114021		DESCRIPTION		ITEM
QUANTITY	PART NUMBER	MATERIALS LIST		
UNLESS OTHERWISE SPECIFIED: 1) All dimensions are in metric(mm). 2) Tolerances are as follows: 1 PL DEC ±0.30   Fractions ±1/64 2 PL DEC ±0.15   Angles ±1° 3 PL DEC ±0.08 3) Note reference =		SIGNATURES	DATE	<b>Amphenol</b> Sine Systems - www.amphenol-sine.com 44724 Morley Drive Clinton Township, MI 48036  <b>LOCKWASHER, AHDM, SIZE 18</b>
MATERIAL SPECIFICATIONS:		DRAWN: ROOKIE	26/SEP/18	
PROCESS SPECIFICATIONS:		CHECKED: ORION	26/SEP/18	
NEXT ASSY:		ENGINEER:		
		APPROVAL: TOMMY	26/SEP/18	
		CUSTOMER:		
		THIS DRAWING IS SUPPLIED FOR INFORMATION ONLY. DESIGN FEATURES, SPECIFICATIONS AND PERFORMANCE DATA SHOWN HEREON ARE THE PROPERTY OF THE AMPHENOL CORPORATION. NO RIGHTS OF REPRODUCTION ARE IMPLIED. ALL DIMENSIONS ARE SUBJECT TO NORMAL MANUFACTURING VARIATIONS.		
		SIZE: B	TYPE: C-	REVISION: A1
		SCALE: NONE	DWG NO: A114021	SHEET 1 OF 1