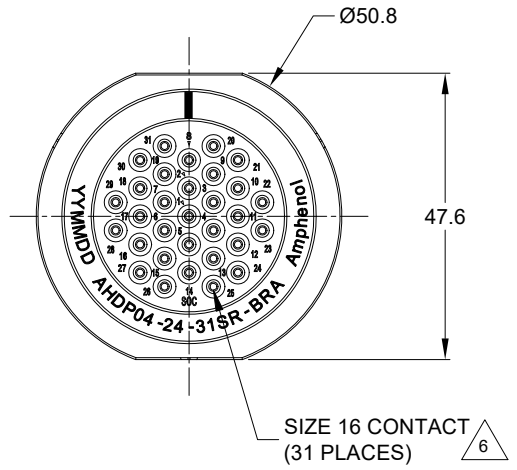


REVISIONS					
REV	ECO	DESCRIPTION	DATE	BY	APPR
A1	--	RELEASE NEW DRAWING	01/MAR/22	VITO	TOMMY



NOTES: UNLESS OTHERWISE SPECIFIED

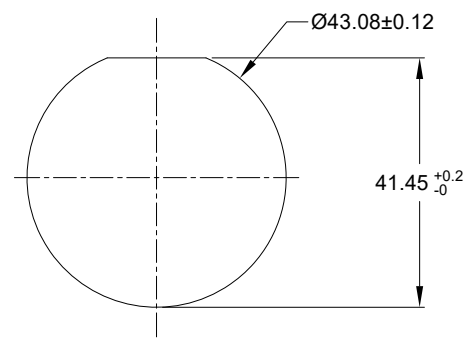
- MATERIAL:  
HOUSING: THERMOPLASTIC; BLACK  
SEAL: SILICONE RUBBER
- MODIFICATIONS: BACKSHELL RING ADAPTER (BRA);  
REDUCED DIA. WIRE SEAL;
- SPECIFICATIONS:  
3.1 OPERATING TEMPERATURE: -55°C TO +125°C.  
3.2 DIELECTRIC WITHSTANDING VOLTAGE: LESS THAN 2 MILLIAMPS CURRENT LEAKAGE @ 1500 VOLTS AC.  
3.3 INSULATION RESISTANCE: 1000 MEGOHM MIN @ 25°C.  
3.4 MOISTURE RESISTANCE:  
IP68(IM OF WATER FOR A PERIOD OF 24 HOURS,MATED CONDITION);  
IP69K (MATED CONDITION)  
3.5 MATING CYCLE DURABILITY: 100 CYCLES  
3.6 RoHS COMPLIANT

4. MATING PART: AHDP06-24-31P\* (\* = SEAL TYPE)

5. ALL DIMENSIONS ARE FOR REFERENCE USE ONLY.

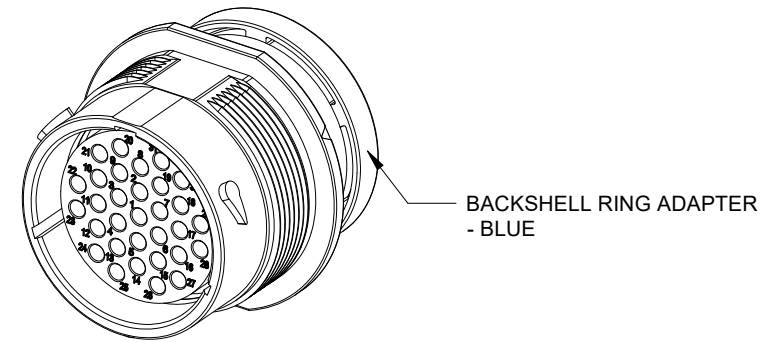
6. CONTACT SIZE AND WIRE RANGE:

CONTACT SIZE	MIN. INSUL O.D.	MAX. INSUL O.D.	TYPICAL WIRE RANGE	CURRENT RATING
16	1.35 mm (.053in)	2.62 mm (.103in)	14-20 AWG (2.0-0.5mm <sup>2</sup> )	13 AMPS



RECOMMENDED PANEL MOUNTING HOLE

RECOMMENDED PANEL THICKNESS: 1.6 TO 4.7MM



QUANTITY	AHDPO4-24-31SR-BRA	REF:HDP24-24-31SE-L017	ITEM
	PART NUMBER	DESCRIPTION	

SIGNATURES		DATE	MATERIALS LIST	
DRAWN:	VITOLI	01/MAR/22	<h1>Amphenol</h1> <p>Sine Systems - www.amphenol-sine.com 44724 Morley Drive Clinton Township, MI 48036</p> <p>31POS, RECEPTACLE, SOCKET, SIZE 24, RD SEAL, BRA, DURAMATE AHDP</p>	
CHECKED:	SULLENZHANG	02/MAR/22		
ENGINEER:				
APPROVAL:	TOMMY XIE	03/MAR/22	<p>THIS DRAWING IS SUPPLIED FOR INFORMATION ONLY. DESIGN FEATURES, SPECIFICATIONS AND PERFORMANCE DATA SHOWN HEREON ARE THE PROPERTY OF THE AMPHENOL CORPORATION. NO RIGHTS OF REPRODUCTION ARE IMPLIED. ALL DIMENSIONS ARE SUBJECT TO NORMAL MANUFACTURING VARIATIONS.</p>	
MATERIAL SPECIFICATIONS:		CUSTOMER:		<p>WEIGHT: 55.4g</p>
PROCESS SPECIFICATIONS:		NEXT ASSY:		<p>SCALE: NONE</p>
UNLESS OTHERWISE SPECIFIED		1) All dimensions are in metric(mm).		<p>SIZE: B</p>
2) Tolerances are as follows:		1 PL DEC ±0.30 Fractions ±1/64		<p>TYPE: C-</p>
3 PL DEC ±0.15		Angles ±1°		<p>DWG NO: AHDPO4-24-31SR-BRA</p>
3) Note reference =				<p>REVISION: A1</p>
				<p>SHEET 1 OF 1</p>

7. RECEPTACLE IS SUPPLIED WITH DUST CAP.

TITLE: 31POS RECEPTACLE SOCKET, SIZE 24, RD SEAL, BRA, DURAMATE AHDP  
DWG NO: AHDPO4-24-31SR-BRA  
REV: A1  
SH: 1  
OF: 1