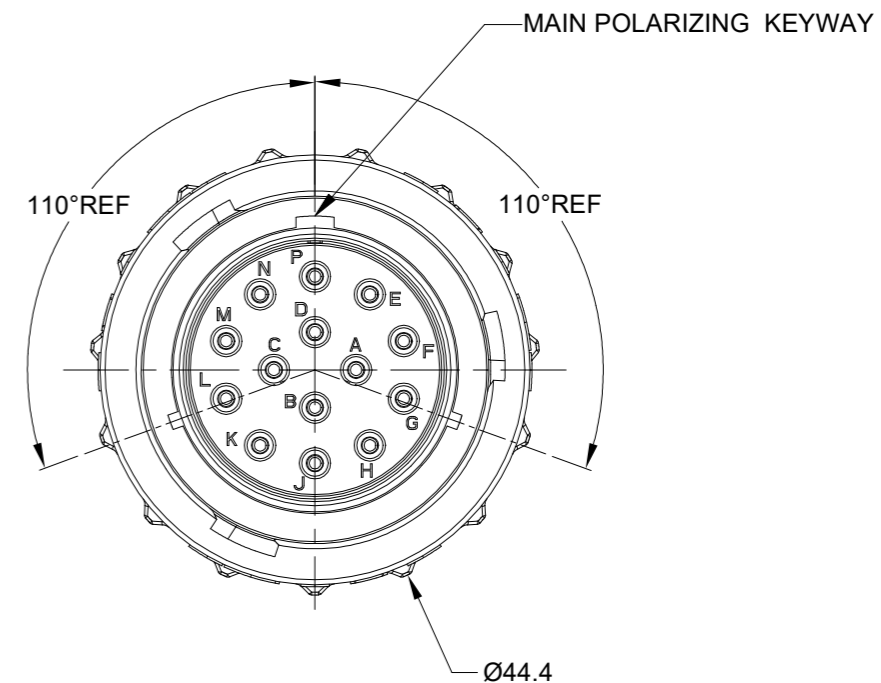
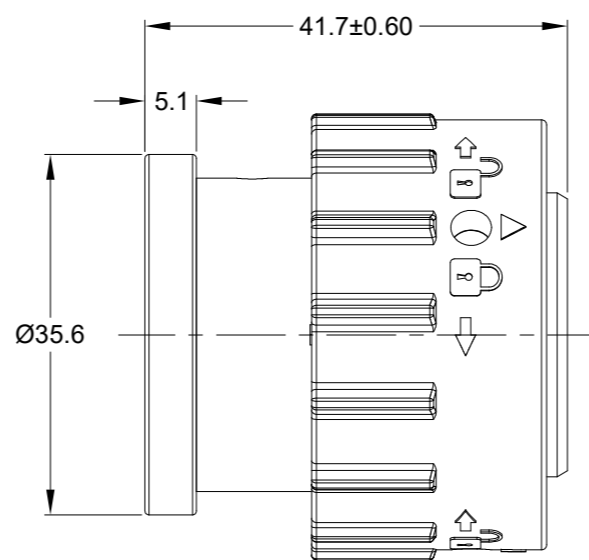
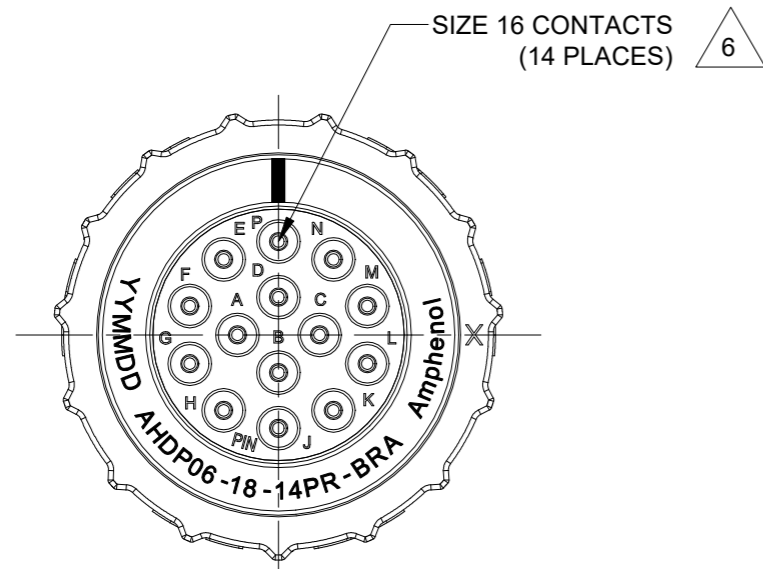


REVISIONS					
REV	ECO	DESCRIPTION	DATE	BY	APPR
A1	-	RELEASE NEW DRAWING	30/MAR/22	MILO	TOMMY

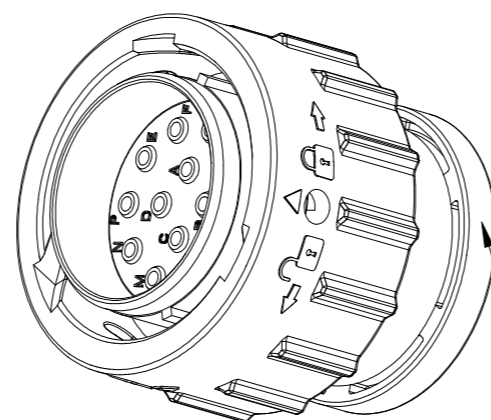


NOTES: UNLESS OTHERWISE SPECIFIED

- MATERIAL:  
HOUSING: THERMOPLASTIC; BLACK  
SEAL: SILICONE RUBBER
- MODIFICATIONS: BACKSHELL RING ADAPTER (BRA);  
REDUCED DIA. WIRE SEAL
- SPECIFICATIONS:  
3.1 OPERATING TEMPERATURE: -55°C TO +125°C.  
3.2 DIELECTRIC WITHSTANDING VOLTAGE: LESS THAN 2 MILLIAMPS CURRENT LEAKAGE @ 1500 VOLTS AC.  
3.3 INSULATION RESISTANCE: 1000 MEGOHM MIN @ 25°C.  
3.4 MOISTURE RESISTANCE:  
IP68(IM OF WATER FOR A PERIOD OF 24 HOURS, MATED CONDITION);  
IP69K(MATED CONDITION).  
3.5 MATING CYCLE DURABILITY: 100 CYCLES  
3.6 RoHS COMPLIANT
- MATING PART: AHDP02-18-14S\* & AHDP04-18-14S\*( \* = SEAL TYPE )
- ALL DIMENSIONS ARE FOR REFERENCE USE ONLY.

6 CONTACT SIZE AND WIRE RANGE:

CONTACT SIZE	MIN. INSUL O.D.	MAX. INSUL O.D.	TYPICAL WIRE RANGE	CURRENT RATING
16	1.35 mm (.053in)	3.05 mm (.120 in)	14-20 AWG (2.0-0.5mm <sup>2</sup> )	13 AMPS



BACKSHELL RING ADAPTER - BLUE

QUANTITY	AHDP06-18-14PR-BRA	DESCRIPTION	ITEM								
		REF:HDP26-18-14PE-L017									
<b>MATERIALS LIST</b>											
UNLESS OTHERWISE SPECIFIED 1) All dimensions are in metric(mm). 2) Tolerances are as follows: 1 PL DEC ±0.30 2 PL DEC ±0.15 3 PL DEC ±0.08 3) Note reference = X		SIGNATURES DRAWN: MILO CHECKED: SULLEN ENGINEER: APPROVAL: TOMMY	DATE 30/MAR/22 31/MAR/22 01/APR/22								
MATERIAL SPECIFICATIONS: WEIGHT: 45.2g		<p style="text-align: center;"><b>Amphenol</b></p> <p style="text-align: center;">Sine Systems - www.amphenol-sine.com 44724 Morley Drive Clinton Township, MI 48036</p> <p style="text-align: center;">14POS, PLUG, PIN, SIZE 18, RD SEAL, BRA, DURAMATE AHDP</p>									
PROCESS SPECIFICATIONS:											
NEXT ASSY:		THIS DRAWING IS SUPPLIED FOR INFORMATION ONLY. DESIGN FEATURES, SPECIFICATIONS AND PERFORMANCE DATA SHOWN HEREON ARE THE PROPERTY OF THE AMPHENOL CORPORATION. NO RIGHTS OF REPRODUCTION ARE IMPLIED. ALL DIMENSIONS ARE SUBJECT TO NORMAL MANUFACTURING VARIATIONS.	<table border="1"> <tr> <td>SIZE</td> <td>TYPE</td> <td>DWG NO:</td> <td>REVISION</td> </tr> <tr> <td>B</td> <td>C-</td> <td>AHDP06-18-14PR-BRA</td> <td>A1</td> </tr> </table>	SIZE	TYPE	DWG NO:	REVISION	B	C-	AHDP06-18-14PR-BRA	A1
SIZE	TYPE	DWG NO:	REVISION								
B	C-	AHDP06-18-14PR-BRA	A1								
SCALE: NONE		DURAMATE	SHEET 1 OF 1								

TITLE: 14POS, PLUG, PIN, SIZE 18, RD SEAL, BRA, DURAMATE AHDP

DWG NO: AHDP06-18-14PR-BRA

REV: A1

SH: 1

OF: 1