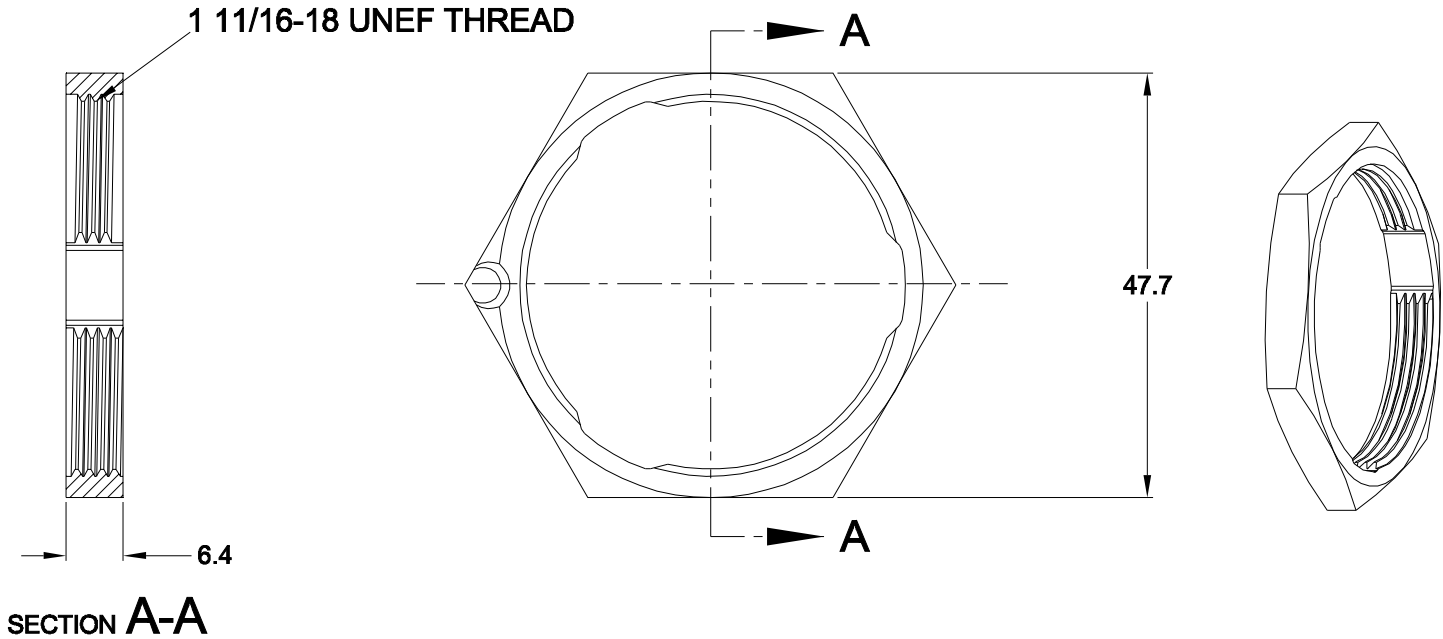


REVISIONS					
REV	ECO	DESCRIPTION	DATE	BY	APPR
A1		RELEASE NEW PRODUCT	16JUN15	ORION	TOMMY



NOTES: UNLESS OTHERWISE SPECIFIED

1. MATERIAL: THERMOPLASTIC
2. COLORS: BLACK
3. RoHS COMPLIANT
4. USE WITH AHDP SERIES SIZE 24 RECEPTACLE, MOUNTING TORQUE IS 7.4~8.4 N.M
5. ALL DIMENSIONS ARE FOR REFERENCE USE ONLY.

AHDP24-PN01					
PART NUMBER		DESCRIPTION		ITEM	
QUANTITY	MATERIALS LIST				
UNLESS OTHERWISE SPECIFIED		SIGNATURES		DATE	
1) All dimensions are in metric(mm).		DRAWN: ORION LI		16JUN15	
2) Tolerances are as follows:		CHECKED:			
1 PL DEC ±0.30		ENGINEER:			
2 PL DEC ±0.15		APPROVAL: TOMMY.XIE		16JUN15	
3 PL DEC ±0.08		CUSTOMER:			
3) Note reference = $\triangle X$		THIS DRAWING IS SUPPLIED FOR INFORMATION ONLY. DESIGN FEATURES, SPECIFICATIONS AND PERFORMANCE DATA SHOWN HEREON ARE THE PROPERTY OF THE AMPHENOL CORPORATION. NO RIGHTS OF REPRODUCTION ARE IMPLIED. ALL DIMENSIONS ARE SUBJECT TO NORMAL MANUFACTURING VARIATIONS.			
MATERIAL SPECIFICATIONS:		SIZE		TYPE	
PROCESS SPECIFICATIONS:		A		C-	
NEXT ASSY:		DWG NO:		REVISION	
		AHDP24-PN01		A1	
		SCALE: NONE		SHEET 1 OF 1	

**Amphenol**

Sine Systems - www.amphenol-sine.com  
44724 Morley Drive  
Clinton Township, MI 48036

NUT, AHDP SERIES, SIZE 24