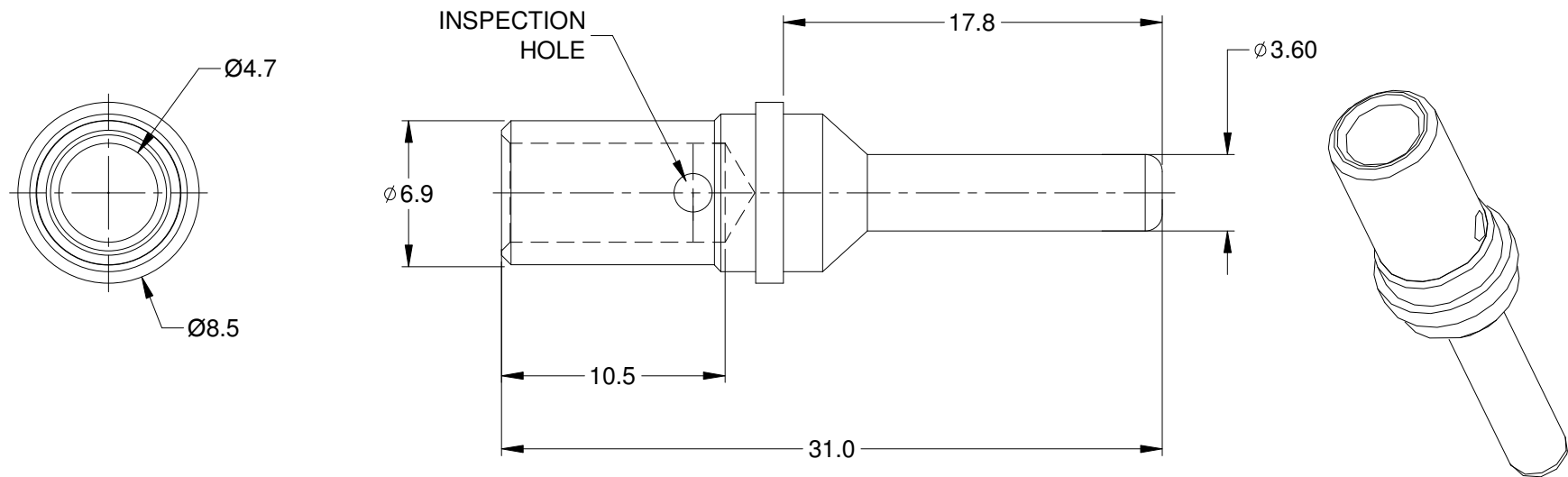


REVISIONS					
REV	ECO	DESCRIPTION	DATE	BY	APPR
A1		RELEASE NEW PRODUCT	03DEC15	ORION	TOMMY



NOTES: UNLESS OTHERWISE SPECIFIED

1. MATERIAL: COPPER ALLOY; SILIVER PLATED
2. CONTACT SIZE: 08
3. SPECIFICATIONS:
 - 3.1 CURRENT RATING: 80 AMP
 - 3.2 CONTACT MILLIVOLT DROP: 60 MILLIVOLT DROP @ 80 AMP TEST CURRENT.
 - 3.3 ROHS COMPLIANT
4. RECOMMENDED WIRE RANGE: 07 - 10 AWG
5. AVAILABLE CRIMPER: WA23-DS
6. ALL DIMENSIONS ARE FOR REFERENCE USE ONLY

SC000345					
PART NUMBER		DESCRIPTION		ITEM	
QUANTITY	MATERIALS LIST				
UNLESS OTHERWISE SPECIFIED 1) All dimensions are in metric(mm). 2) Tolerances are as follows: 1 PL DEC ± 0.30 2 PL DEC ± 0.15 3 PL DEC ± 0.08 3) Note reference = $\triangle X$		SIGNATURES DRAWN: ORION LI CHECKED: ENGINEER: APPROVAL:	DATE 03DEC15	<h1>Amphenol</h1> <p>Sine Systems - www.amphenol-sine.com 44724 Morley Drive Clinton Township, MI 48036</p>	
MATERIAL SPECIFICATIONS:		CUSTOMER:			
PROCESS SPECIFICATIONS:		THIS DRAWING IS SUPPLIED FOR INFORMATION ONLY. DESIGN FEATURES, SPECIFICATIONS AND PERFORMANCE DATA SHOWN HEREON ARE THE PROPERTY OF THE AMPHENOL CORPORATION. NO RIGHTS OF REPRODUCTION ARE IMPLIED. ALL DIMENSIONS ARE SUBJECT TO NORMAL MANUFACTURING VARIATIONS.		CONTACT, PIN, SOLID, 3.6MM 7-10 AWG, AHDP SERIES	
NEXT ASSY:		SIZE A	TYPE C-	DWG NO: SC000345	REVISION A1
		SCALE: NONE		SHEET 1 OF 1	