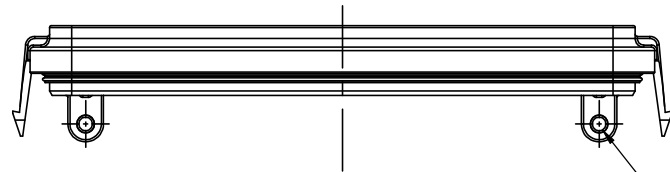
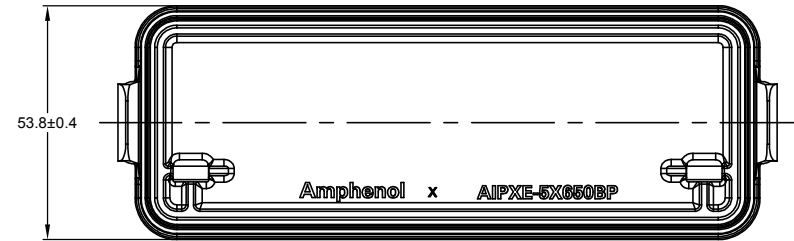
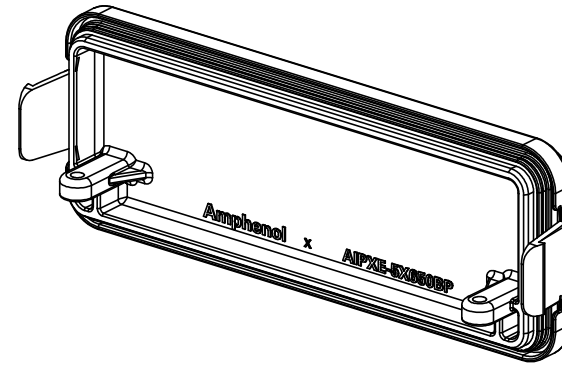
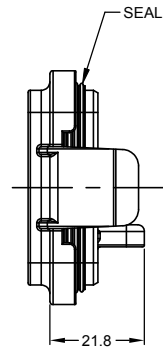
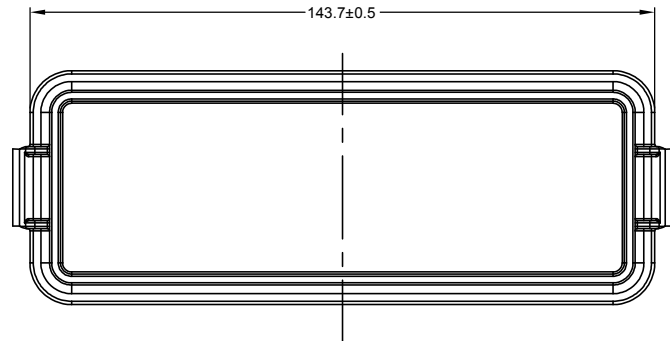
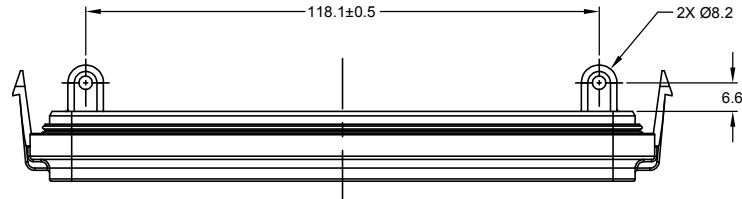


REVISIONS					
REV	ECO	DESCRIPTION	DATE	BY	APPR
A1	-	NEW RELEASE	28APR2020	ZENIN	TOMMY



2X Ø3.18±0.12 HOLE
RECOMMENDED SCREW [M4.0X8.0]
THREAD-FORMING SCREW,
TORQUE:10-20IN-LB [1.13-2.25N-m]

NOTES: UNLESS OTHERWISE SPECIFIED

- MATERIAL: THERMOPLASTIC, BLACK
- MODIFICATIONS: BLANK PLATE
- SPECIFICATIONS:
 - OPERATING TEMPERATURE: -55°C TO +125°C
 - INSULATION RESISTANCE: 1000 MEGOHMS MIN @ 25°C
 - MOISTURE RESISTANCE: IP67 (MATED CONDITION)
 - RoHS COMPLIANT
- THIS PRODUCT IS USED WITH AIPXE-5X650A-XXXX AND AIPXE-5X650B-XXXX ENCLOSURE (XXXX= ALL MODIFICATIONS)
- ALL DIMENSIONS ARE FOR REFERENCE USE ONLY

TITLE: ARMOR PLANK PLATE FOR AT
DWG NO: AIPXE-5X650BP-01
REV: A1
SH: 1
OF: 2

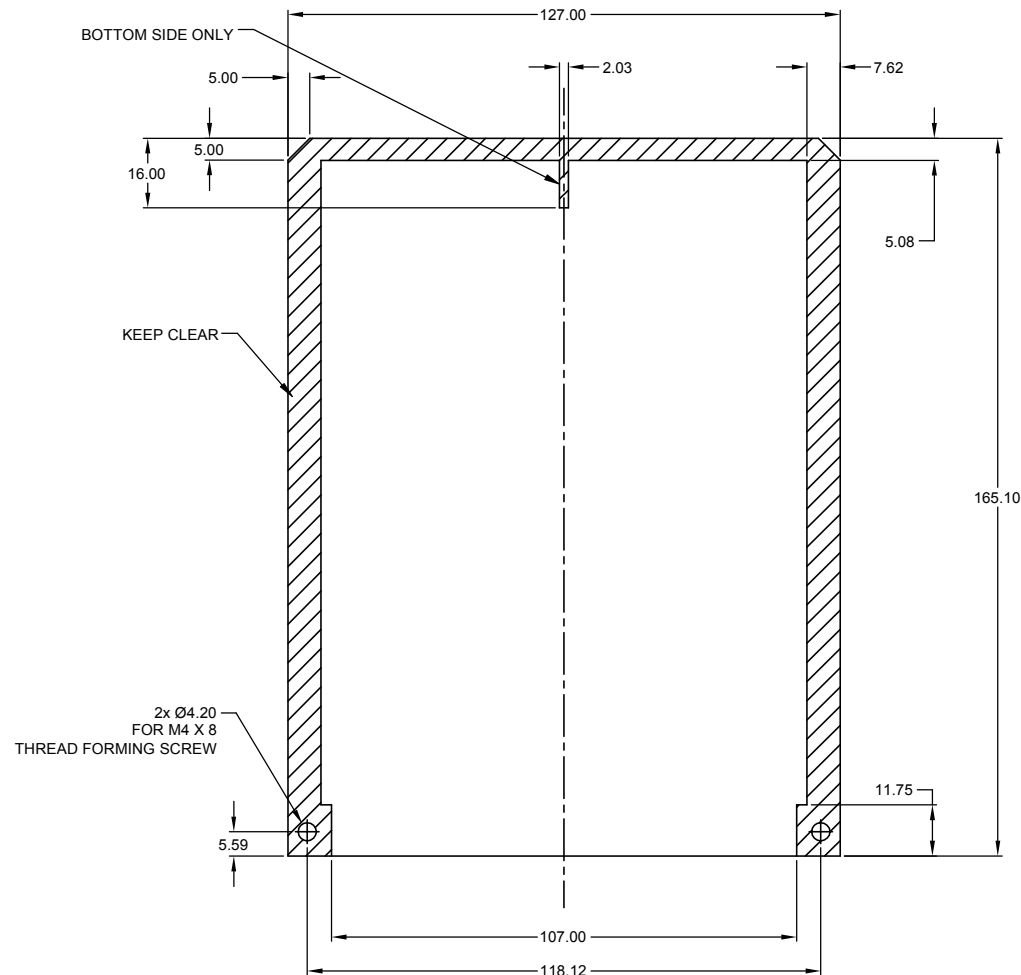
AIPXE-5X650BP-01		DESCRIPTION		ITEM
QUANTITY	PART NUMBER	MATERIALS LIST		
UNLESS OTHERWISE SPECIFIED		SIGNATURES		DATE
1) All dimensions are in metric(mm).		DRAWN: ZENIN,DENG	28/APR/20	
2) Tolerances are as follows:		CHECKED: ORIONLI	28/APR/20	
1 PL DEC ±0.30		ENGINEER:		
2 PL DEC ±0.15		APPROVAL: TOMMY,XIE	30/APR/20	
3 PL DEC ±0.08		CUSTOMER:		
3) Note reference =		THIS DRAWING IS SUPPLIED FOR INFORMATION ONLY. DESIGN FEATURES, SPECIFICATIONS AND PERFORMANCE DATA SHOWN HEREON ARE THE PROPERTY OF THE AMPHENOL CORPORATION. NO RIGHTS OF REPRODUCTION ARE IMPLIED. ALL DIMENSIONS ARE SUBJECT TO NORMAL MANUFACTURING VARIATIONS.		
MATERIAL SPECIFICATIONS:		SIZE		TYPE
PROCESS SPECIFICATIONS:		B C-		DWG NO: AIPXE-5X650BP-01
NEXT ASSY:		SCALE: NONE		REVISION: A1
				SHEET 1 OF 2

Amphenol

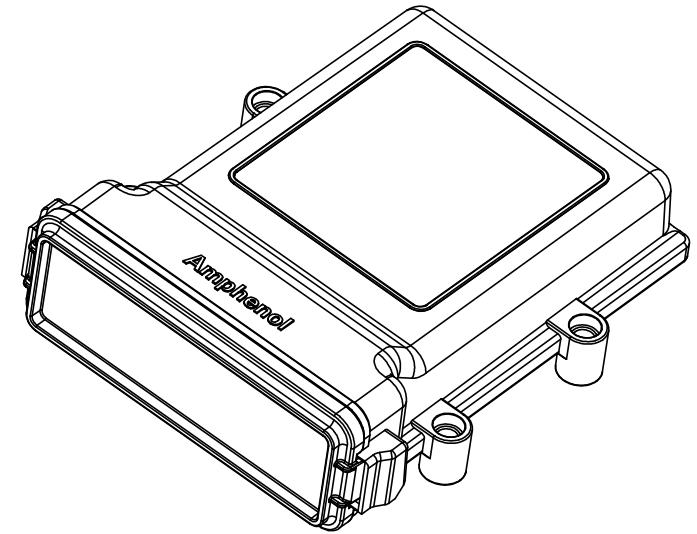
Sine Systems - www.amphenol-sine.com
44724 Morley Drive
Clinton Township, MI 48036

ARMOR IPX,
BLANK PLATE FOR AT

REVISIONS					
REV	ECO	DESCRIPTION	DATE	BY	APPR
A1	-	NEW RELEASE	28APR2020	ZENIN	TOMMY



CIRCUIT BOARD HOLE LOCATIONS AND KEEP CLEAR AREAS
 BOARD THICKNESS IN KEEP CLEAR ARE TO BE 2.36±0.1
 MAX. COMPONENT HEIGHT UPSIDE BOARD 25.20 mm.
 MAX. COMPONENT HEIGHT UNDER BOARD 4.00 mm.
 ALL DIMENSIONS REFERENCE
 TOP VIEW



3D VIEW
 AIPXE-5X650A-XXXX AND
 AIPXE-5X650B-XXXX ENCLOSURE AND
 MOUNTING HARDWARE SHOWN FOR REFERENCE

AIPXE-5X650BP-01		DESCRIPTION		ITEM
QUANTITY	PART NUMBER	MATERIALS LIST		
UNLESS OTHERWISE SPECIFIED		SIGNATURES		DATE
1) All dimensions are in metric(mm).		DRAWN:	ZENIN,DENG	28/APR/20
2) Tolerances are as follows:		CHECKED:	ORIONLI	28/APR/20
1 PL DEC ±0.30		ENGINEER:		
2 PL DEC ±0.15		APPROVAL:	TOMMY,XIE	30/APR/20
3 PL DEC ±0.08		CUSTOMER:		
3) Note reference =		THIS DRAWING IS SUPPLIED FOR INFORMATION ONLY. DESIGN FEATURES, SPECIFICATIONS AND PERFORMANCE DATA SHOWN HEREON ARE THE PROPERTY OF THE AMPHENOL CORPORATION. NO RIGHTS OF REPRODUCTION ARE IMPLIED. ALL DIMENSIONS ARE SUBJECT TO NORMAL MANUFACTURING VARIATIONS.		
MATERIAL SPECIFICATIONS:		PROCESS SPECIFICATIONS:		SCALE
NEXT ASSY:		SIZE		TYPE
		B C-		DWG NO:
		AIPXE-5X650BP-01		REVISION
		SCALE NONE		A1
		SHEET 2 OF 2		

Amphenol
 Sine Systems - www.amphenol-sine.com
 44724 Morley Drive
 Clinton Township, MI 48036

ARMOR IPX,
 BLANK PLATE FOR AT

TITLE: ARMOR IPX BLANK PLATE FOR AT
 DWG NO: AIPXE-5X650BP-01
 REV: A1
 SH: 2
 OF: 2