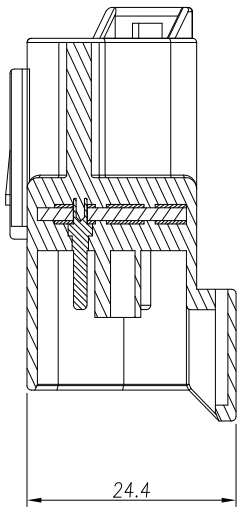
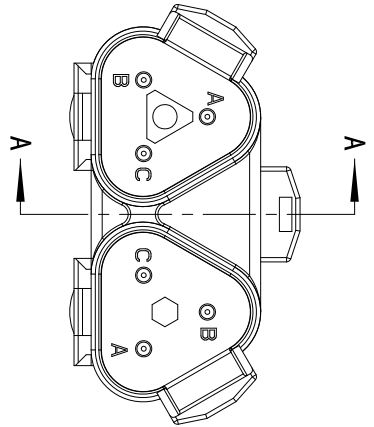
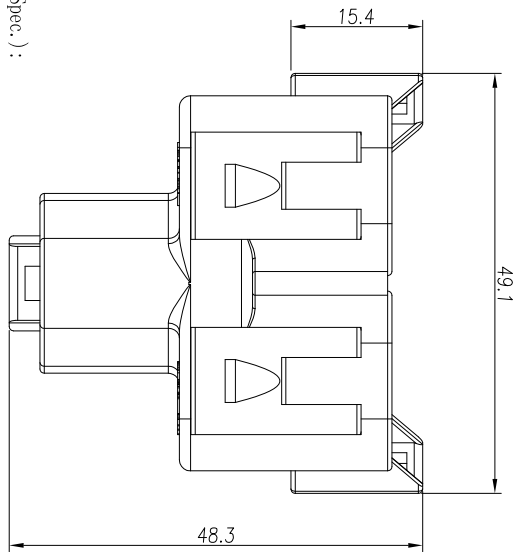
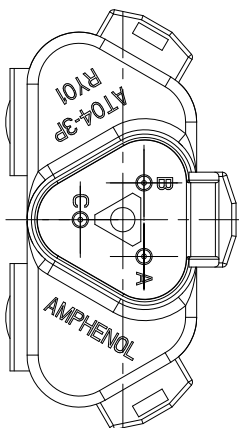


| REV ZONE | | ECO | | DESCRIPTION | | DATE | | BY | | APPR | |
|----------|----|-----|----|----------------|--|----------|----|----|----|------|----|
| AT | -- | -- | -- | RELEASE NUMBER | | 10/11/11 | -- | -- | -- | -- | -- |

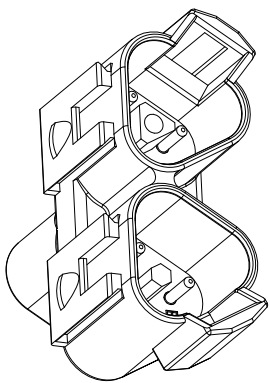
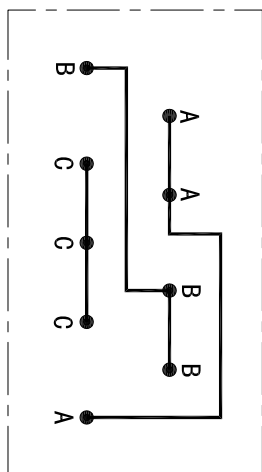
| REV ZONE | | ECO | | DESCRIPTION | | DATE | | BY | | APPR | |
|----------|----|-----|----|----------------|--|----------|----|----|----|------|----|
| AT | -- | -- | -- | RELEASE NUMBER | | 10/11/11 | -- | -- | -- | -- | -- |



剖面 A-A



线路图



- 规格参数 (Spec.):
1. 工作温度: $-55^{\circ}\text{C} \sim +125^{\circ}\text{C}$.
Operating Temperature: $-55^{\circ}\text{C} \sim +125^{\circ}\text{C}$.
 2. 绝缘电阻: 不低于 $1000\text{M}\Omega$.
Min. Insulation Resistance: 1000 megohms Min.
 3. 耐电压: 在 1500VAC 电压下漏电流小于 2毫安 .
Dielectric Withstanding Voltage: less than $2\text{ milliamps at } 1500\text{VAC}$
 4. 密封性: IP67.
IP-Class: IP67.
 5. 颜色: 灰色.
Color: Gray.

| ITEM | PART NUMBER | Qty | DESCRIPTION | REMARK |
|--|-------------|-----|---------------------------|--------|
| UNLESS OTHERWISE SPECIFIED | | | | |
| 1) All dimensions are in metric (mm). | | | | |
| 2) Tolerances are as follows: | | | | |
| 1 Pl. DEC ± 0.20 | | | | |
| 2 Pl. DEC ± 0.10 | | | | |
| 3 Pl. DEC ± 0.05 | | | | |
| Fractions $\pm 1/64$ | | | | |
| Angles $\pm 1^{\circ}$ | | | | |
| SIGNATURE | | | | |
| DATE | | | | |
| DRAWN | | | | |
| CHECKED | | | | |
| ENGINEER | | | | |
| APPROVAL | | | | |
| CUSTOMER | | | | |
| MATERIALS LIST | | | PROCESS SPECIFICATIONS: | |
| THIS DRAWING IS SUPPLIED FOR INFORMATION ONLY. DESIGN FEATURES, SPECIFICATIONS AND PERFORMANCE DATA SHOWN HEREON ARE THE PROPERTY OF THE AMPHENOL CORPORATION. NO RIGHTS OF REPRODUCTION ARE IMPLIED. ALL DIMENSIONS ARE SUBJECT TO NORMAL MANUFACTURING VARIATIONS. | | | | |
| DWG NO.: | | | REPT. 3-WAY, Y CONNECTOR | |
| AT04-3P-RY01 | | | SINE Systems Corporation | |
| A Subsidiary of Amphenol Corporation | | | | |
| DWG NO.: | | | REPT. 3-WAY, Y CONNECTOR | |
| AT04-3P-RY01 | | | SINE Systems Corporation | |
| A Subsidiary of Amphenol Corporation | | | | |
| THIRD ANGLE PROJECTION | | | RECPT. 3-WAY, Y CONNECTOR | |
| A3 | | | A1 | |
| NEXT ASSY: | | | XX | |