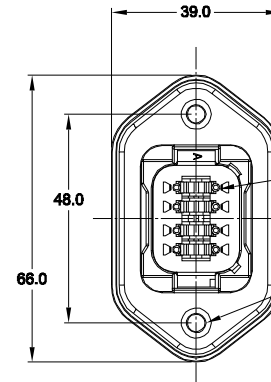
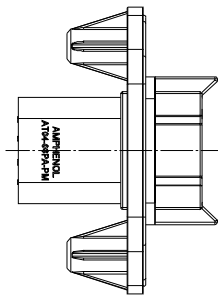
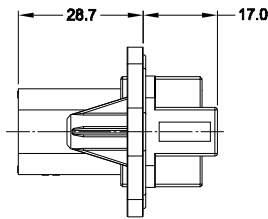
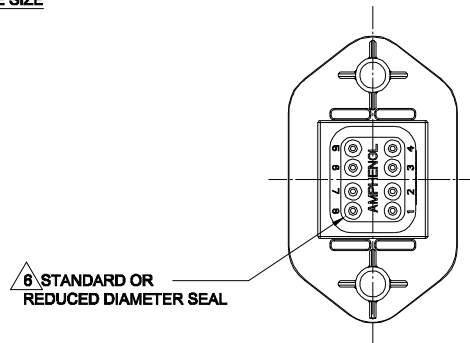
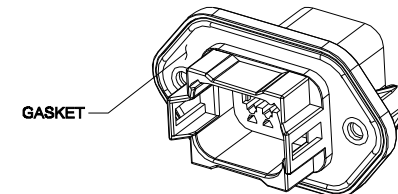
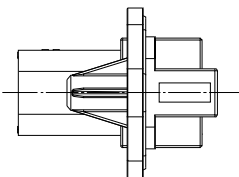


MOUNTING PLATE SIZE



REQUIRES CONTACT RETENTION WEDGE AW8P

- 2X Ø4.0, 16.4 DP FROM MATING SURFACE
 RECOMMENDED ATTACHMENT OPTIONS:
 1. HEX WASHER HEAD SHEETMETAL SCREW, #10, 1/2" LONG, HEX SIZE 5/16".
 2. SELF THREAD SCREW FOR PLASTIC SUCH AS ST 4.8



NOTES: UNLESS OTHERWISE SPECIFIED

- MATERIAL:
 HOUSING: THERMOPLASTIC
 CONTACT: COPPER ALLOY
- MODIFICATIONS: FLANGE, GASKET, END CAP (OPT.), RD SEAL (OPT.)
- SPECIFICATIONS:
 3.1 CURRENT RATING: 13 AMPS
 3.2 OPERATING TEMPERATURE: -55°C TO +125°C
 3.3 DIELECTRIC WITHSTANDING VOLTAGE: LESS THAN 2 MILLIAMPS CURRENT LEAKAGE @ 1500 VOLTS AC.
 3.4 INSULATION RESISTANCE: 1000 MEGOHMS MIN @ 25°C.
 3.5 MOISTURE RESISTANCE: IP67 (MATED CONDITION)
 3.6 MATING CYCLE DURABILITY: 100 CYCLES
 3.7 RoHS COMPLIANT
- MATING PART: AT06-08SX* PLUG
 (X = A,B,C,D KEYS; * = MODIFICATIONS AND COLORS)
- ALL DIMENSIONS ARE FOR REFERENCE USE ONLY.

CONTACT SIZE AND REAR SEAL WIRE RANGE

REDUCED DIAMETER SEAL:

| CONTACT SIZE | MIN. INSUL O.D. | MAX. INSUL O.D. | TYPICAL WIRE RANGE |
|--------------|-------------------|-------------------|--------------------|
| 16 | 1.35 mm (.053 in) | 3.05 mm (.120 in) | 14 - 20 AWG |

STANDARD SEAL:

| CONTACT SIZE | MIN. INSUL O.D. | MAX. INSUL O.D. | TYPICAL WIRE RANGE |
|--------------|-------------------|-------------------|--------------------|
| 16 | 2.24 mm (.088 in) | 3.68 mm (.145 in) | 14 - 20 AWG |

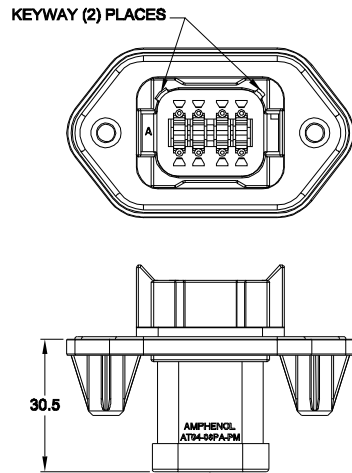
| REVISIONS | | | | | |
|-----------|-----|-------------------|---------|-------|-------|
| REV | ECO | DESCRIPTION | DATE | BY | APPR |
| A1 | - | RELEASE | 29JUN15 | JAH | |
| A2 | - | UPDATE APPEARANCE | 20APR16 | JARRY | TOMMY |

| SEE SHEET 2 FOR KEYS | | DESCRIPTION | | ITEM |
|--|-------------|--|------------|---|
| QUANTITY | PART NUMBER | MATERIALS LIST | | |
| UNLESS OTHERWISE SPECIFIED 1) All dimensions are in metric (mm). 2) Tolerances are as follows: 1 PL DEC ±0.30 Fractions ±1/64 2 PL DEC ±0.16 Angles ±1° 3) Note reference = | | SIGNATURES | DATE | Sine Systems - www.amphenol-sine.com 44724 Morley Drive Clinton Township, MI 48036 RECEPTACLE, 8 PIN, AT SERIES, W/FLANGE |
| DRAWN: J.HEAD 14JUL15 | | CHECKED: | CUSTOMER: | |
| MATERIAL SPECIFICATIONS: | | ENGINEER: | APPROVAL: | |
| PROCESS SPECIFICATIONS: | | THIS DRAWING IS SUPPLIED FOR INFORMATION ONLY. DESIGN FEATURES, SPECIFICATIONS AND PERFORMANCE DATA SHOWN HEREON ARE THE PROPERTY OF THE AMPHENOL CORPORATION. NO RIGHTS OF REPRODUCTION ARE IMPLIED. ALL DIMENSIONS ARE SUBJECT TO NORMAL MANUFACTURING VARIATIONS. | | |
| NEXT ABBY: | | SCALE: NONE | SIZE: B C- | DWG NO: AT04-08PX-PMXX REVISION: A2 SHEET 1 OF 2 |

TITLE: RECEPTACLE, 8 PIN, AT SERIES, W/FLANGE
 DWG NO: AT04-08PX-PMXX
 REV: A2
 SH: 1
 OF: 2

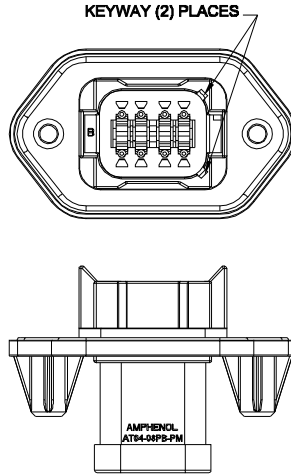
| REVISIONS | | | | | |
|-----------|-----|-------------------|---------|-------|-------|
| REV | ECO | DESCRIPTION | DATE | BY | APPR |
| A1 | - | RELEASE | 14JUL15 | JAH | |
| A2 | - | UPDATE APPEARANCE | 20APR16 | JARRY | TOMMY |

P/N AT04-08PA-PMXX
KEY-A CONFIGURATION
STANDARD COLOR: GREY

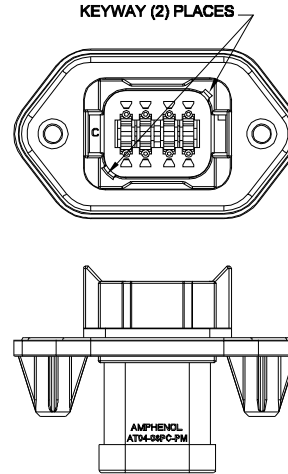


END CAP SHOWN ON THIS SHEET

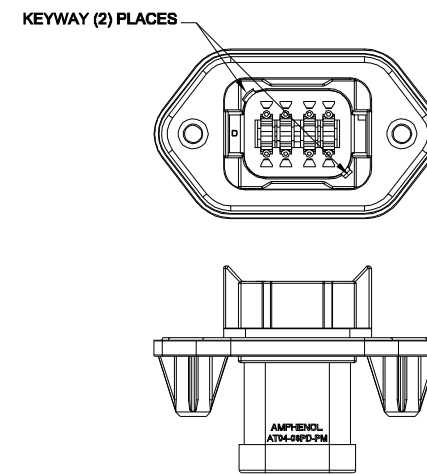
P/N AT04-08PB-PMXX
KEY-B CONFIGURATION
STANDARD COLOR: BLACK



P/N AT04-08PC-PMXX
KEY-C CONFIGURATION
STANDARD COLOR: GREEN



P/N AT04-08PD-PMXX
KEY-D CONFIGURATION
STANDARD COLOR: BROWN



| KEY-A CONFIGURATION | | |
|---------------------|--------------|----------------|
| END CAP | SEAL | PART NUMBER |
| NO | STANDARD | AT04-08PA-PM11 |
| NO | REDUCED DIA. | AT04-08PA-PM12 |
| YES | STANDARD | AT04-08PA-PM13 |
| YES | REDUCED DIA. | AT04-08PA-PM14 |

| KEY-B CONFIGURATION | | |
|---------------------|--------------|----------------|
| END CAP | SEAL | PART NUMBER |
| NO | STANDARD | AT04-08PB-PM11 |
| NO | REDUCED DIA. | AT04-08PB-PM12 |
| YES | STANDARD | AT04-08PB-PM13 |
| YES | REDUCED DIA. | AT04-08PB-PM14 |

| KEY-C CONFIGURATION | | |
|---------------------|--------------|----------------|
| END CAP | SEAL | PART NUMBER |
| NO | STANDARD | AT04-08PC-PM11 |
| NO | REDUCED DIA. | AT04-08PC-PM12 |
| YES | STANDARD | AT04-08PC-PM13 |
| YES | REDUCED DIA. | AT04-08PC-PM14 |

| KEY-D CONFIGURATION | | |
|---------------------|--------------|----------------|
| END CAP | SEAL | PART NUMBER |
| NO | STANDARD | AT04-08PD-PM11 |
| NO | REDUCED DIA. | AT04-08PD-PM12 |
| YES | STANDARD | AT04-08PD-PM13 |
| YES | REDUCED DIA. | AT04-08PD-PM14 |

| QUANTITY | PART NUMBER | DESCRIPTION | ITEM |
|---|-------------|--|---|
| MATERIALS LIST | | | |
| UNLESS OTHERWISE SPECIFIED 1) All dimensions are in metric (mm). 2) Tolerances are as follows: 1 PL DEC ±0.30 2 PL DEC ±0.15 3 PL DEC ±0.08 3) Note reference = | | SIGNATURES: J. HEAD DATE: 14JUL15 CHECKED: ENGINEER: APPROVAL: CUSTOMER: | Amphenol Sine Systems - www.amphenol-sine.com 44724 Morley Drive Clinton Township, MI 48036 |
| MATERIAL SPECIFICATIONS: PROCESS SPECIFICATIONS: NEXT ABBY: | | THIS DRAWING IS SUPPLIED FOR INFORMATION ONLY. DESIGN FEATURES, SPECIFICATIONS AND PERFORMANCE DATA SHOWN HEREON ARE THE PROPERTY OF THE AMPHENOL CORPORATION. NO RIGHTS OF REPRODUCTION ARE IMPLIED. ALL DIMENSIONS ARE SUBJECT TO NORMAL MANUFACTURING VARIATIONS. | RECEPTACLE, 8 PIN, AT SERIES, W/FLANGE SCALE: NONE SHEET 2 OF 2 |
| | | SIZE: B C- TYPE: AT04-08PX-PMXX DWG NO: A2 | REVISION: A2 |

TITLE: RECEPTACLE, 8 PIN, AT SERIES, W/FLANGE
DWG NO: AT04-08PX-PMXX
REV: A2
SH: 2
OF: 2