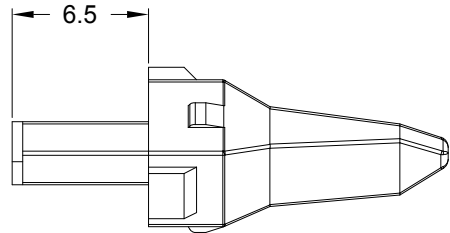
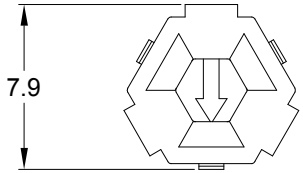
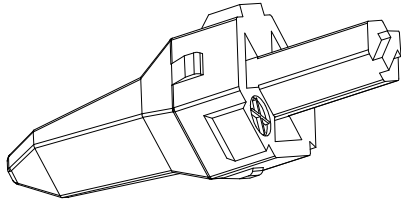
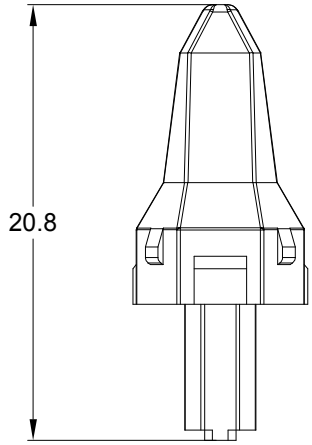



REVISIONS					
REV	ECO	DESCRIPTION	DATE	BY	APPR
A3	--	RELEASE NEW DWG FORMAT	18/SEP/13	DRP	
A4	--	UPDATE DRAWING	09/MAY/19	ROOKIE	TOMMY



**NOTES: UNLESS OTHERWISE SPECIFIED**

- 1. MATERIAL: THERMOPLASTIC; COLOR: GREEN
- 2. RoHS COMPLIANT
- 3. CAVITIES: 3
- 4. KEYED: N/A
- 5. USE WITH CONNECTORS AT04-3P\*  
(\* = MODIFICATIONS AND/OR COLORS)
- 6. ALL DIMENSIONS ARE FOR REFERENCE USE ONLY.

AW3P															
QUANTITY	PART NUMBER	DESCRIPTION			ITEM										
<b>MATERIALS LIST</b>															
<b>UNLESS OTHERWISE SPECIFIED</b> 1) All dimensions are in metric(mm). 2) Tolerances are as follows: 1 PL DEC $\pm 0.30$ Fractions $\pm 1/64$ 2 PL DEC $\pm 0.15$ Angles $\pm 1^\circ$ 3 PL DEC $\pm 0.08$ 3) Note reference = 		<b>SIGNATURES</b> <b>DATE</b> DRAWN:    ROOKIE    09/MAY/19 CHECKED:    ORION    09/MAY/19 ENGINEER: APPROVAL:    TOMMY    09/MAY/19 CUSTOMER:		<h1 style="margin: 0;">Amphenol</h1> <hr/> Sine Systems - www.amphenol-sine.com 44724 Morley Drive Clinton Township, MI 48036											
MATERIAL SPECIFICATIONS:		THIS DRAWING IS SUPPLIED FOR INFORMATION ONLY. DESIGN FEATURES, SPECIFICATIONS AND PERFORMANCE DATA SHOWN HEREON ARE THE PROPERTY OF THE AMPHENOL CORPORATION. NO RIGHTS OF REPRODUCTION ARE IMPLIED. ALL DIMENSIONS ARE SUBJECT TO NORMAL MANUFACTURING VARIATIONS.		<b>P-WEDGELOCK, 3 POSITION, AT SERIES</b>											
PROCESS SPECIFICATIONS:		<table border="1" style="width: 100%; border-collapse: collapse;"> <tr> <td style="width: 15%;"><b>SIZE</b></td> <td style="width: 15%;"><b>TYPE</b></td> <td style="width: 40%;"><b>DWG NO:</b></td> <td style="width: 30%;"><b>REVISION</b></td> </tr> <tr> <td style="text-align: center; font-size: 2em;">A</td> <td style="text-align: center; font-size: 2em;">C-</td> <td style="text-align: center; font-size: 1.5em;">AW3P</td> <td style="text-align: center; font-size: 1.5em;">A4</td> </tr> <tr> <td colspan="2"><b>SCALE:</b> NONE</td> <td colspan="2" style="text-align: center;">SHEET 1 OF 1</td> </tr> </table>		<b>SIZE</b>	<b>TYPE</b>	<b>DWG NO:</b>	<b>REVISION</b>	A	C-	AW3P	A4	<b>SCALE:</b> NONE		SHEET 1 OF 1	
<b>SIZE</b>	<b>TYPE</b>	<b>DWG NO:</b>	<b>REVISION</b>												
A	C-	AW3P	A4												
<b>SCALE:</b> NONE		SHEET 1 OF 1													
NEXT ASSY:															