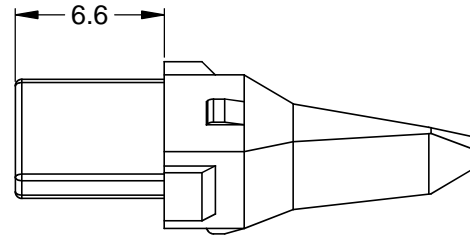
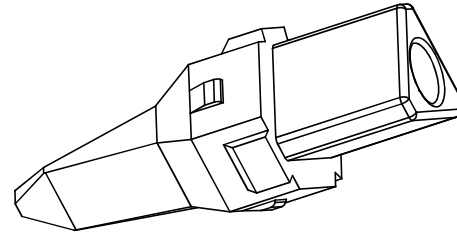
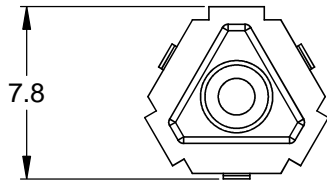
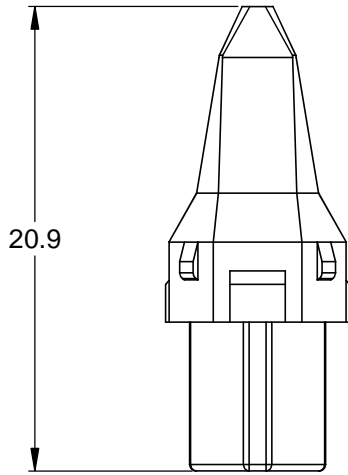


REVISIONS					
REV	ECO	DESCRIPTION	DATE	BY	APPR
A3		RELEASE NEW DWG FORMAT	18/SEP/13	JARRY	



NOTES: UNLESS OTHERWISE SPECIFIED

1. MATERIAL: THERMOPLASTIC; COLOR: BLUE
2. RoHS COMPLIANT
3. CAVITIES: 3
4. KEYED: 1939
5. USE WITH CONNECTORS AT04-3P\*  
(\* = MODIFICATIONS AND/OR COLORS)
6. ALL DIMENSIONS ARE FOR REFERENCE USE ONLY.

AW3P-1939											
QUANTITY	PART NUMBER	DESCRIPTION			ITEM						
<b>MATERIALS LIST</b>											
<small>UNLESS OTHERWISE SPECIFIED</small> 1) All dimensions are in metric(mm). 2) Tolerances are as follows: 1 PL DEC ±0.30 2 PL DEC ±0.15 3 PL DEC ±0.08 Fractions ±1/64 Angles ±1° 3) Note reference =		<b>SIGNATURES</b> DRAWN: JARRY CHECKED: ENGINEER: APPROVAL: CUSTOMER:		<b>DATE</b> 18/SEP/13							
MATERIAL SPECIFICATIONS:		THIS DRAWING IS SUPPLIED FOR INFORMATION ONLY. DESIGN FEATURES, SPECIFICATIONS AND PERFORMANCE DATA SHOWN HEREON ARE THE PROPERTY OF THE AMPHENOL CORPORATION. NO RIGHTS OF REPRODUCTION ARE IMPLIED. ALL DIMENSIONS ARE SUBJECT TO NORMAL MANUFACTURING VARIATIONS.		<h1>Amphenol</h1> <p>Sine Systems - www.amphenol-sine.com                      44724 Morley Drive                      Clinton Township, MI 48036</p> <p><b>P-WEDGELOCK, 3 POSITION,                      1939-KEY, AT SERIES</b></p>							
PROCESS SPECIFICATIONS:		<table border="1"> <tr> <td>SIZE</td> <td>TYPE</td> <td>DWG NO:</td> <td>REVISION</td> </tr> <tr> <td><b>A</b></td> <td><b>C-</b></td> <td><b>AW3P-1939</b></td> <td><b>A3</b></td> </tr> </table>				SIZE	TYPE	DWG NO:	REVISION	<b>A</b>	<b>C-</b>
SIZE	TYPE	DWG NO:	REVISION								
<b>A</b>	<b>C-</b>	<b>AW3P-1939</b>	<b>A3</b>								
NEXT ASSY:		SCALE: NONE		SHEET 1 OF 1							