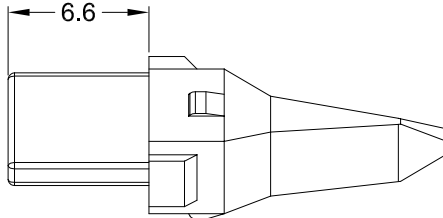
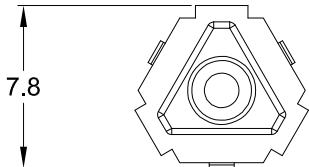
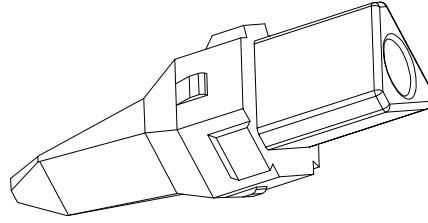
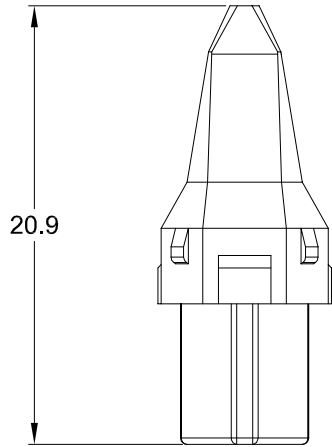


REVISIONS					
REV	ECO	DESCRIPTION	DATE	BY	APPR
A3		RELEASE NEW DWG FORMAT	18/SEP/13	JARRY	



NOTES: UNLESS OTHERWISE SPECIFIED

- 1. MATERIAL: THERMOPLASTIC; COLOR: BLUE
- 2. RoHS COMPLIANT
- 3. CAVITIES: 3
- 4. KEYED: 1939
- 5. USE WITH CONNECTORS AT04-3P\*  
(\* = MODIFICATIONS AND/OR COLORS)
- 6. ALL DIMENSIONS ARE FOR REFERENCE USE ONLY.

QUANTITY	PART NUMBER	DESCRIPTION	ITEM								
	AW3P-1939										
<b>MATERIALS LIST</b>											
<p><b>UNLESS OTHERWISE SPECIFIED</b></p> <p>1) All dimensions are in metric (mm).                  2) Tolerances are as follows:                  1 PL DEC ±0.30     Fractions ±1/64                  2 PL DEC ±0.15     Angles ±1°                  3 PL DEC ±0.08</p> <p>3) Note reference = </p>		<p><b>SIGNATURES</b>     <b>DATE</b></p> <p>DRAWN: JARRY     18/SEP/13</p> <p>CHECKED:</p> <p>ENGINEER:</p> <p>APPROVAL:</p> <p>CUSTOMER:</p>									
MATERIAL SPECIFICATIONS:		<p><b>Amphenol</b></p> <p>Sine Systems - www.amphenol-sine.com                  44724 Morley Drive                  Clinton Township, MI 48036</p> <p><b>P-WEDGELOCK, 3 POSITION,                  1939-KEY, AT SERIES</b></p>									
PROCESS SPECIFICATIONS:											
NEXT ASSY:		<p>THIS DRAWING IS SUPPLIED FOR INFORMATION ONLY. DESIGN FEATURES, SPECIFICATIONS AND PERFORMANCE DATA SHOWN HEREON ARE THE PROPERTY OF THE AMPHENOL CORPORATION. NO RIGHTS OF REPRODUCTION ARE IMPLIED. ALL DIMENSIONS ARE SUBJECT TO NORMAL MANUFACTURING VARIATIONS.</p>	<table border="1"> <tr> <td>SIZE</td> <td>TYPE</td> <td>DWG NO:</td> <td>REVISION</td> </tr> <tr> <td>A</td> <td>C-</td> <td>AW3P-1939</td> <td>A3</td> </tr> </table>	SIZE	TYPE	DWG NO:	REVISION	A	C-	AW3P-1939	A3
SIZE	TYPE	DWG NO:	REVISION								
A	C-	AW3P-1939	A3								
		SCALE: NONE	SHEET 1 OF 1								