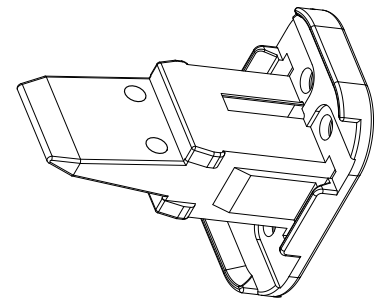
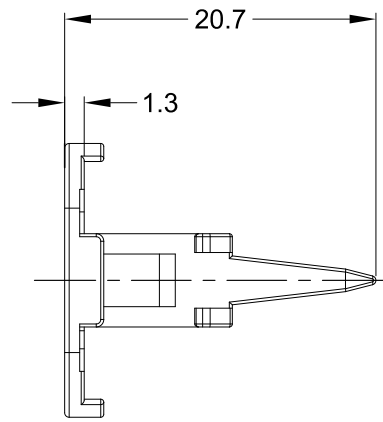
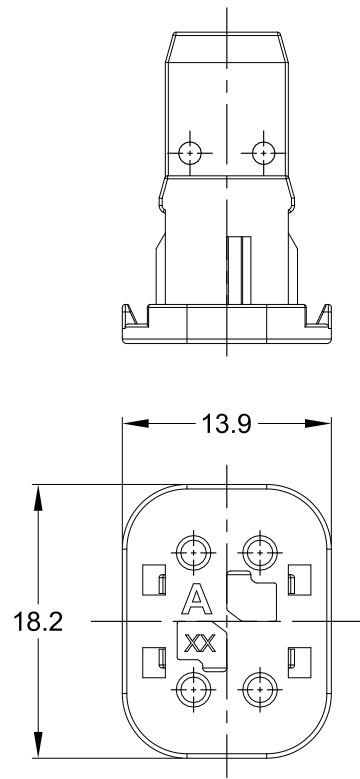


REVISIONS					
REV	ECO	DESCRIPTION	DATE	BY	APPR
A1	-	RELEASE NUMBER	11/JUL/22	RONALD	TOMMY



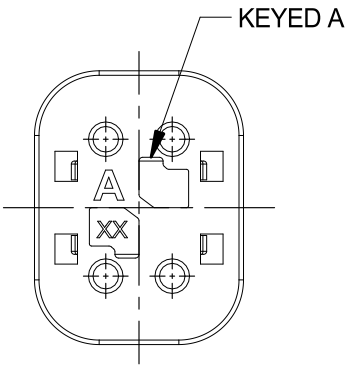
NOTES: UNLESS OTHERWISE SPECIFIED

1. MATERIAL: THERMOPLASTIC; COLOR: SEE SHEET 2
2. RoHS COMPLIANT
3. CAVITIES: 4
4. KEYED: SEE SHEET 2
5. USE WITH CONNECTORS AT06-4S*
(* = MODIFICATIONS AND/OR COLORS)
6. ALL DIMENSIONS ARE FOR REFERENCE USE ONLY.

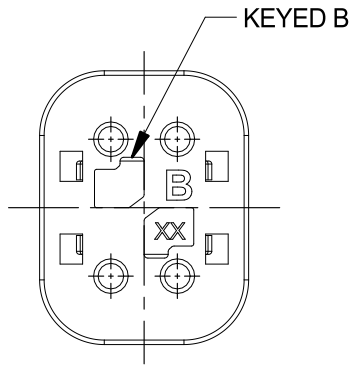
QUANTITY	AW4S-x	REF: W4SA-P012, W4SB-P012, W4SC-P012, W4SD-P012		ITEM
QUANTITY	PART NUMBER	DESCRIPTION		
MATERIALS LIST				
UNLESS OTHERWISE SPECIFIED 1) All dimensions are in metric(mm). 2) Tolerances are as follows: 1 PL DEC ±0.30 Fractions ±1/64 2 PL DEC ±0.15 Angles ±1° 3 PL DEC ±0.08 3) Note reference =		SIGNATURES DATE DRAWN: RONALD 11/JUL/22 CHECKED: ORION 12/JUL/22 APPROVAL: TOMMY 13/JUL/22		 Sine Systems - www.amphenol-sine.com 44724 Morley Drive Clinton Township, MI 48036
MATERIAL SPECIFICATIONS: WEIGHT: 1.14g		CUSTOMER: THIS DRAWING IS SUPPLIED FOR INFORMATION ONLY. DESIGN FEATURES, SPECIFICATIONS AND PERFORMANCE DATA SHOWN HEREON ARE THE PROPERTY OF THE AMPHENOL CORPORATION. NO RIGHTS OF REPRODUCTION ARE IMPLIED. ALL DIMENSIONS ARE SUBJECT TO NORMAL MANUFACTURING VARIATIONS.		
PROCESS SPECIFICATIONS: NEXT ASSY:		SIZE: B SCALE: NONE	TYPE: C- DWG NO: AW4S-x	REVISION: A1 SHEET 1 OF 2

TITLE: S-WEDGELOCK, 4 POS, KEYED, AT SERIES
 DWG NO: AW4S-x
 REV: A1
 SH: 1
 OF: 2

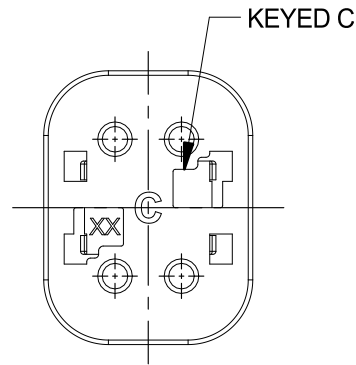
REVISIONS					
REV	ECO	DESCRIPTION	DATE	BY	APPR
A1	-	RELEASE NUMBER	11/JUL/22	RONALD	TOMMY



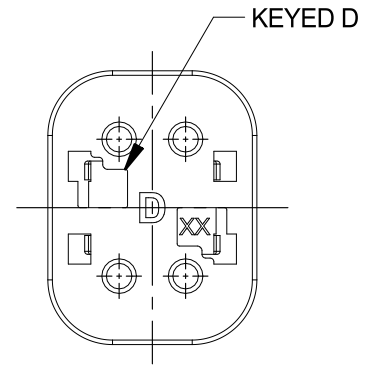
AW4S-A
GRAY



AW4S-B
BLACK



AW4S-C
GREEN



AW4S-D
BROWN

TITLE: S-WEDGELOCK, 4 POS, KEYED, AT SERIES
 DWG NO.: AW4S-x
 REV: A1
 SH: 2
 OF: 2

AW4S-x		REF: W4SA-P012, W4SB-P012, W4SC-P012, W4SD-P012									
QUANTITY	PART NUMBER	DESCRIPTION	ITEM								
MATERIALS LIST											
UNLESS OTHERWISE SPECIFIED 1) All dimensions are in metric(mm). 2) Tolerances are as follows: 1 PL DEC ±0.30 Fractions ±1/64 2 PL DEC ±0.15 Angles ±1° 3 PL DEC ±0.08 3) Note reference =		<table border="1"> <thead> <tr> <th>SIGNATURES</th> <th>DATE</th> </tr> </thead> <tbody> <tr> <td>DRAWN: RONALD</td> <td>11/JUL/22</td> </tr> <tr> <td>CHECKED: ORION</td> <td>12/JUL/22</td> </tr> <tr> <td>APPROVAL: TOMMY</td> <td>13/JUL/22</td> </tr> </tbody> </table>		SIGNATURES	DATE	DRAWN: RONALD	11/JUL/22	CHECKED: ORION	12/JUL/22	APPROVAL: TOMMY	13/JUL/22
SIGNATURES	DATE										
DRAWN: RONALD	11/JUL/22										
CHECKED: ORION	12/JUL/22										
APPROVAL: TOMMY	13/JUL/22										
MATERIAL SPECIFICATIONS: WEIGHT: 1.14g		Amphenol Sine Systems - www.amphenol-sine.com 44724 Morley Drive Clinton Township, MI 48036									
PROCESS SPECIFICATIONS:		S-WEDGELOCK, 4 POS, KEYED, AT SERIES									
NEXT ASSY:		THIS DRAWING IS SUPPLIED FOR INFORMATION ONLY. DESIGN FEATURES, SPECIFICATIONS AND PERFORMANCE DATA SHOWN HEREON ARE THE PROPERTY OF THE AMPHENOL CORPORATION. NO RIGHTS OF REPRODUCTION ARE IMPLIED. ALL DIMENSIONS ARE SUBJECT TO NORMAL MANUFACTURING VARIATIONS.									
		SIZE: B TYPE: C- SCALE: NONE	DWG NO.: AW4S-x REVISION: A1 SHEET 2 OF 2								