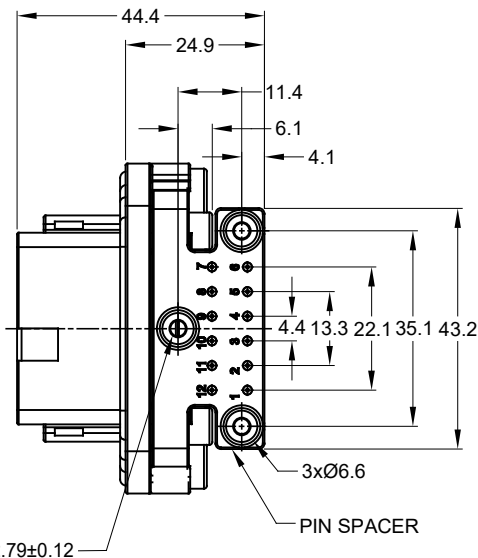
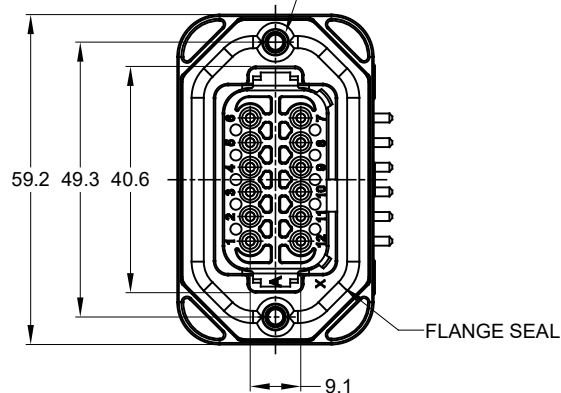
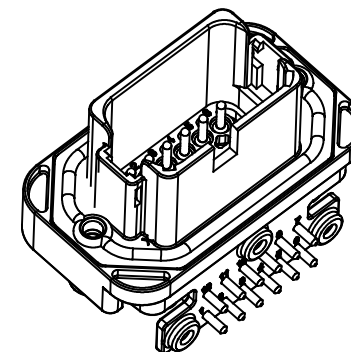
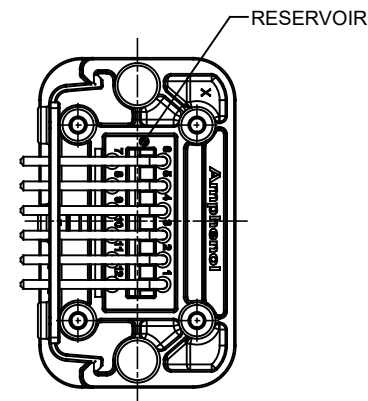


2xØ3.10±0.12x11.18 DP  
 RECOMMENDED SCREW: 6-19 [M3.63 x 1.34]  
 THREAD-FORMING SCREW,  
 TORQUE: 11-15 IN-LB [1.24-1.70 NM]



REVISIONS					
REV	ECO	DESCRIPTION	DATE	BY	APPR
A1	--	RELEASE NEW DRAWING	14/DEC/18	BROOK	TOMMY
A2	--	REVISED DRAWING	10JUL20	JHEAD	DH



NOTES: UNLESS OTHERWISE SPECIFIED

1. MATERIAL:

HOUSING: THERMOPLASTIC  
 SEAL: SILICONE RUBBER  
 CONTACT: COPPER ALLOY

2. MODIFICATIONS: FLANGE, PCB MOUNT, RIGHT ANGLE, EXTENDED LENGTH SHROUD

3. SPECIFICATIONS:

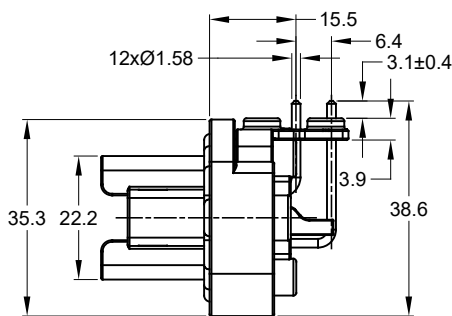
- 3.1 CURRENT RATING: 13 AMPS
- 3.2 OPERATING TEMPERATURE: -55°C TO +125°C
- 3.3 DIELECTRIC WITHSTANDING VOLTAGE: LESS THAN 2 MILLIAMPS CURRENT LEAKAGE @ 1500 VOLTS AC.
- 3.4 INSULATION RESISTANCE: 1000 MEGOHMS MIN @ 25°C.
- 3.5 MOISTURE RESISTANCE: IP67 ( MATED CONDITION )
- 3.6 MATING CYCLE DURABILITY: 100 CYCLES
- 3.7 RoHS COMPLIANT

4. MATING PART: AT06-12S\* PLUG (\* = MODIFICATIONS)

5. ALL DIMENSIONS ARE FOR REFERENCE USE ONLY.

6. POTTED CONNECTORS SPECIFIED FOR UP TO 5 P.S.I. APPLICATIONS.

RECOMMENDED SCREW: 4-20 [M3.12 x 1.27]  
 THREAD-FORMING SCREW,  
 TORQUE: 6-10 IN-LB [0.68-1.13 NM]



AT13-12PX-BM1X		REF: DT13-12PA-B016, DT13-12PB-B016, DT13-12PC-B016, DT13-12PD-B016			
PART NUMBER		DESCRIPTION			
QUANTITY	MATERIALS LIST				
UNLESS OTHERWISE SPECIFIED		SIGNATURES	DATE	<p>Sine Systems - www.amphenol-sine.com          44724 Morley Drive          Clinton Township, MI 48036</p>	
1) All dimensions are in metric (mm).		DRAWN: BROOKING	14/DEC/18		
2) Tolerances are as follows:		CHECKED: ORIONLI	14/DEC/18		
1 PL DEC ±0.30 2 PL DEC ±0.15 3 PL DEC ±0.08		ENGINEER:			
3) Note reference =		APPROVAL: TOMMYXIE	14/DEC/18	BOARDLOCK PCB MOUNT RECEPTACLE, 12 PIN, RA FLANGE, EXT. LGTH, AT SERIES	
MATERIAL SPECIFICATIONS:		CUSTOMER:			
PROCESS SPECIFICATIONS:		THIS DRAWING IS SUPPLIED FOR INFORMATION ONLY. DESIGN FEATURES, SPECIFICATIONS AND PERFORMANCE DATA SHOWN HEREON ARE THE PROPERTY OF THE AMPHENOL CORPORATION. NO RIGHTS OF REPRODUCTION ARE IMPLIED. ALL DIMENSIONS ARE SUBJECT TO NORMAL MANUFACTURING VARIATIONS.			
NEXT ASSY:		SIZE: B	TYPE: C-	DWG NO: AT13-12PX-BM1X	REVISION: A2
		SCALE: NONE	SHEET 1 OF 3		

TITLE: PCB MNT RECEPT 12PIN, RA FLANGE, EXT LGTH, AT SERIES

DWG NO:

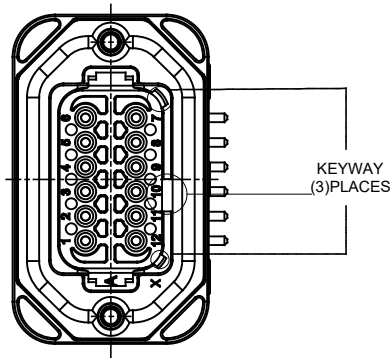
AT13-12PX-BM1X

REV: A2

SH: 1

OF: 3

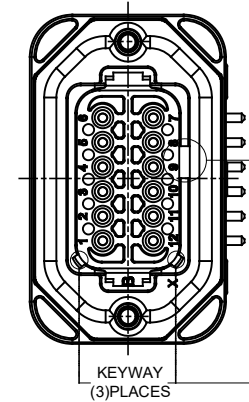
P/N AT13-12PA-BM1X  
KEY-A CONFIGURATION  
STANDARD COLOR: GREY



AT13-12PA-BMXX VARIANTS		
CONTACT PLATING	POTTING OR NOT IN RESERVOIR	PART NUMBER
TIN	NO POTTING	AT13-12PA-BM16
TIN	POTTING	AT13-12PA-BM17
GOLD	NO POTTING	AT13-12PA-BM18
GOLD	POTTING	AT13-12PA-BM19

REVISIONS					
REV	ECO	DESCRIPTION	DATE	BY	APPR
A1	--	RELEASE NEW DRAWING	14/DEC/18	BROOK	TOMMY
A2	--	REVISED DRAWING	10JUL20	JHEAD	DH

P/N AT13-12PB-BM1X  
KEY-B CONFIGURATION  
STANDARD COLOR: BLACK



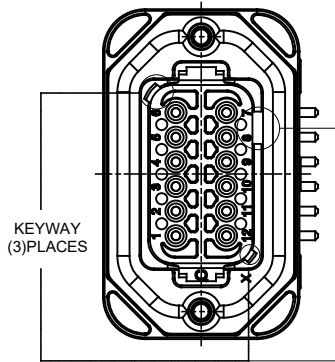
AT13-12PB-BMXX VARIANTS		
CONTACT PLATING	POTTING OR NOT IN RESERVOIR	PART NUMBER
TIN	NO POTTING	AT13-12PB-BM16
TIN	POTTING	AT13-12PB-BM17
GOLD	NO POTTING	AT13-12PB-BM18
GOLD	POTTING	AT13-12PB-BM19

AT13-12PX-BM1X		DESCRIPTION		ITEM
QUANTITY	PART NUMBER			
<b>MATERIALS LIST</b>				
<small>UNLESS OTHERWISE SPECIFIED</small> 1) All dimensions are in metric (mm). 2) Tolerances are as follows: 1 PL DEC ±0.30 2 PL DEC ±0.15 3 PL DEC ±0.08 Fractions ±1/64 Angles ±1° 3) Note reference =		<small>SIGNATURES</small> DRAWN: BROOK DING 14/DEC/18 CHECKED: ORION LI 14/DEC/18 ENGINEER: APPROVAL: TOMMY XIE 14/DEC/18		 Sine Systems - www.amphenol-sine.com 44724 Morley Drive Clinton Township, MI 48036
<small>MATERIAL SPECIFICATIONS:</small>  <small>PROCESS SPECIFICATIONS:</small>  <small>NEXT ASSY:</small>		<small>CUSTOMER:</small> THIS DRAWING IS SUPPLIED FOR INFORMATION ONLY. DESIGN FEATURES, SPECIFICATIONS AND PERFORMANCE DATA SHOWN HEREON ARE THE PROPERTY OF THE AMPHENOL CORPORATION. NO RIGHTS OF REPRODUCTION ARE IMPLIED. ALL DIMENSIONS ARE SUBJECT TO NORMAL MANUFACTURING VARIATIONS.		
		<small>SIZE</small> B <small>TYPE</small> C- <small>SCALE</small> NONE	<small>DWG NO.</small> AT13-12PX-BM1X <small>REVISION</small> A2	<small>SHEET</small> 2 <small>OF</small> 3

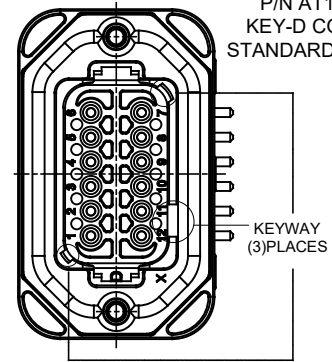
TITLE: PCB MNT RECEPT 12PIN RA FLANGE EXT LGTH AT SERIES  
DWG NO: AT13-12PX-BM1X  
REV: A2  
SH: 2  
OF: 3

REVISIONS					
REV	ECO	DESCRIPTION	DATE	BY	APPR
A1	--	RELEASE NEW DRAWING	14/DEC/18	BROOK	TOMMY
A2	--	REVISED DRAWING	10JUL20	JHEAD	DH

P/N AT13-12PC-BM1X  
KEY-C CONFIGURATION  
STANDARD COLOR: GREEN

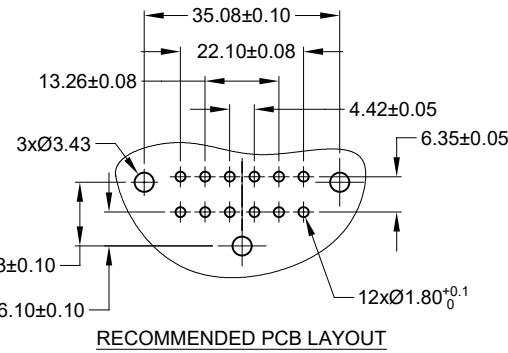
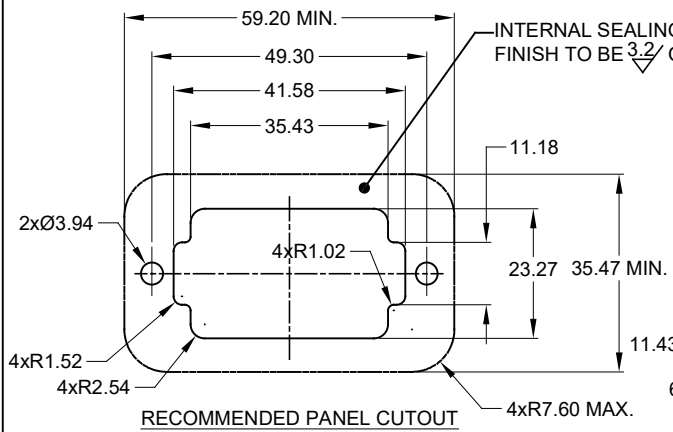


P/N AT13-12PD-BM1X  
KEY-D CONFIGURATION  
STANDARD COLOR: BROWN



AT13-12PC-BMXX VARIANTS		
CONTACT PLATING	POTTING OR NOT IN RESERVOIR	PART NUMBER
TIN	NO POTTING	AT13-12PC-BM16
TIN	POTTING	AT13-12PC-BM17
GOLD	NO POTTING	AT13-12PC-BM18
GOLD	POTTING	AT13-12PC-BM19

AT13-12PD-BMXX VARIANTS		
CONTACT PLATING	POTTING OR NOT IN RESERVOIR	PART NUMBER
TIN	NO POTTING	AT13-12PD-BM16
TIN	POTTING	AT13-12PD-BM17
GOLD	NO POTTING	AT13-12PD-BM18
GOLD	POTTING	AT13-12PD-BM19



AT13-12PX-BM1X		PART NUMBER		DESCRIPTION		ITEM
<b>QUANTITY</b>						
<b>MATERIALS LIST</b>						
UNLESS OTHERWISE SPECIFIED:						
1) All dimensions are in metric (mm).						
2) Tolerances are as follows:						
1 PL DEC ±0.30 Fractions ±1/64						
2 PL DEC ±0.15 Angles ±1°						
3 PL DEC ±0.08						
3) Note reference =						
SIGNATURES		DATE		<p>Sine Systems - www.amphenol-sine.com 44724 Morley Drive Clinton Township, MI 48036</p>		
DRAWN: BROOK DING		14/DEC/18				
CHECKED: ORION LI		14/DEC/18				
ENGINEER:						
APPROVAL: TOMMY XIE		14/DEC/18		<b>BOARDLOCK PCB MOUNT RECEPTACLE, 12 PIN, RA FLANGE, EXT. LGTH. AT SERIES</b>		
CUSTOMER:						
MATERIAL SPECIFICATIONS:						
PROCESS SPECIFICATIONS:						
NEXT ASSY:				THIS DRAWING IS SUPPLIED FOR INFORMATION ONLY. DESIGN FEATURES, SPECIFICATIONS AND PERFORMANCE DATA SHOWN HEREON ARE THE PROPERTY OF THE AMPHENOL CORPORATION. NO RIGHTS OF REPRODUCTION ARE IMPLIED. ALL DIMENSIONS ARE SUBJECT TO NORMAL MANUFACTURING VARIATIONS.		
SIZE: <b>B</b>	TYPE: <b>C-</b>	DWG NO: <b>AT13-12PX-BM1X</b>		REVISION: <b>A2</b>		
SCALE: <b>NONE</b>		SHEET <b>3</b> OF <b>3</b>				

TITLE: PCB MNT RECEPT 12PIN RA FLANGE EXT LGTH AT SERIES DWG NO: AT13-12PX-BM1X REV: A2 SH: 3 OF: 3