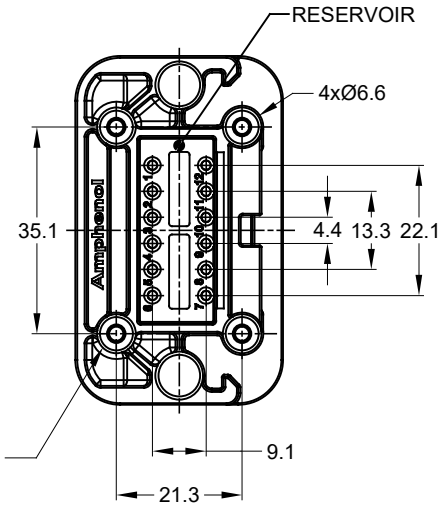
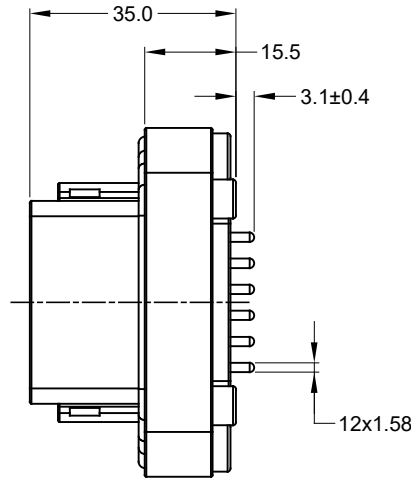
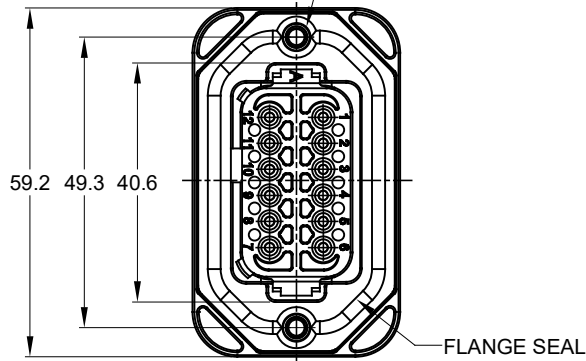
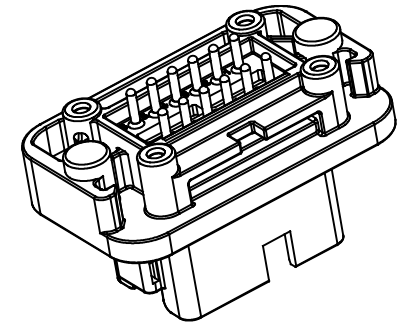


REVISIONS					
REV	ECO	DESCRIPTION	DATE	BY	APPR
A1	--	RELEASE NEW DRAWING	14/DEC/18	BROOK	TOMMY
A2	C110SS	UPDATE DRAWING	19/AUG/19	BROOK	TOMMY
A3	--	REVISED DRAWING	10JUL20	JHEAD	DH

2xØ3.10±0.12x11.18 DP
 RECOMMENDED SCREW: 6-19 [M3.63 x 1.34]
 THREAD-FORMING SCREW,
 TORQUE: 11-15 IN-LB [1.24-1.70 NM]

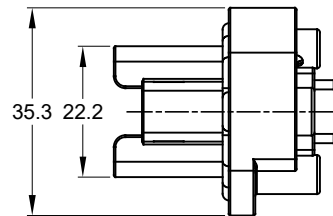


4x Ø2.79±0.12 x8.0 DP
 RECOMMENDED SCREW: 4-20 [M3.12 x 1.27]
 THREAD-FORMING SCREW,
 TORQUE: 6-10 IN-LB [0.68-1.13 NM]



NOTES: UNLESS OTHERWISE SPECIFIED

- MATERIAL:
 HOUSING: THERMOPLASTIC
 SEAL: SILICONE RUBBER
 CONTACT: COPPER ALLOY
- MODIFICATIONS: FLANGE, PCB MOUNT STRAIGHT
- SPECIFICATIONS:
 3.1 CURRENT RATING: 13 AMPS
 3.2 OPERATING TEMPERATURE: -55°C TO +125°C
 3.3 DIELECTRIC WITHSTANDING VOLTAGE: LESS THAN 2 MILLIAMPS CURRENT LEAKAGE @ 1500 VOLTS AC.
 3.4 INSULATION RESISTANCE: 1000 MEGOHMS MIN @ 25°C.
 3.5 MOISTURE RESISTANCE: IP67 (MATED CONDITION)
 3.6 MATING CYCLE DURABILITY: 100 CYCLES
 3.7 RoHS COMPLIANT
- MATING PART: AT06-12S* PLUG (* = MODIFICATIONS)
- ALL DIMENSIONS ARE FOR REFERENCE USE ONLY.
- POTTED CONNECTORS SPECIFIED FOR UP TO 5 P.S.I. APPLICATIONS.

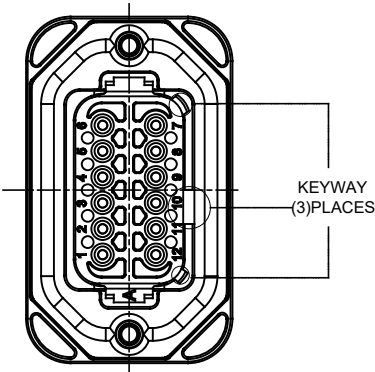


AT15-12PX-BM1X		REF : DT15-12PA-B016, DT15-12PB-B016 , DT15-12PC-B016 , DT15-12PD-B016																																						
QUANTITY	PART NUMBER	DESCRIPTION	ITEM																																					
<table border="1"> <tr> <td>UNLESS OTHERWISE SPECIFIED</td> <td>SIGNATURES</td> <td>DATE</td> <td rowspan="4"> <h1>Amphenol</h1> <p>Sine Systems - www.amphenol-sine.com 44724 Morley Drive Clinton Township, MI 48036</p> </td> </tr> <tr> <td>1) All dimensions are in metric (mm).</td> <td>DRAWN: BROOK DING</td> <td>19/AUG/19</td> </tr> <tr> <td>2) Tolerances are as follows: 1 PL DEC ±0.30 2 PL DEC ±0.15 3 PL DEC ±0.08</td> <td>CHECKED: ORION LI</td> <td>19/AUG/19</td> </tr> <tr> <td>3) Note reference = </td> <td>ENGINEER:</td> <td></td> </tr> <tr> <td>MATERIAL SPECIFICATIONS:</td> <td>APPROVAL: TOMMY XIE</td> <td>19/AUG/19</td> <td>CUSTOMER:</td> </tr> <tr> <td>PROCESS SPECIFICATIONS:</td> <td colspan="2">THIS DRAWING IS SUPPLIED FOR INFORMATION ONLY. DESIGN FEATURES, SPECIFICATIONS AND PERFORMANCE DATA SHOWN HEREON ARE THE PROPERTY OF THE AMPHENOL CORPORATION. NO RIGHTS OF REPRODUCTION ARE IMPLIED. ALL DIMENSIONS ARE SUBJECT TO NORMAL MANUFACTURING VARIATIONS.</td> <td>BOARDLOCK PCB MOUNT RECEPTACLE 12PIN ENHANCED KEY, STRAIGHT AT SERIES</td> </tr> <tr> <td>NEXT ASSY:</td> <td>SIZE</td> <td>TYPE</td> <td>DWG NO.</td> </tr> <tr> <td></td> <td>B</td> <td>C-</td> <td>AT15-12PX-BM1X</td> </tr> <tr> <td></td> <td>SCALE</td> <td>NONE</td> <td>REVISION</td> </tr> <tr> <td></td> <td></td> <td></td> <td>A2</td> </tr> </table>				UNLESS OTHERWISE SPECIFIED	SIGNATURES	DATE	<h1>Amphenol</h1> <p>Sine Systems - www.amphenol-sine.com 44724 Morley Drive Clinton Township, MI 48036</p>	1) All dimensions are in metric (mm).	DRAWN: BROOK DING	19/AUG/19	2) Tolerances are as follows: 1 PL DEC ±0.30 2 PL DEC ±0.15 3 PL DEC ±0.08	CHECKED: ORION LI	19/AUG/19	3) Note reference =	ENGINEER:		MATERIAL SPECIFICATIONS:	APPROVAL: TOMMY XIE	19/AUG/19	CUSTOMER:	PROCESS SPECIFICATIONS:	THIS DRAWING IS SUPPLIED FOR INFORMATION ONLY. DESIGN FEATURES, SPECIFICATIONS AND PERFORMANCE DATA SHOWN HEREON ARE THE PROPERTY OF THE AMPHENOL CORPORATION. NO RIGHTS OF REPRODUCTION ARE IMPLIED. ALL DIMENSIONS ARE SUBJECT TO NORMAL MANUFACTURING VARIATIONS.		BOARDLOCK PCB MOUNT RECEPTACLE 12PIN ENHANCED KEY, STRAIGHT AT SERIES	NEXT ASSY:	SIZE	TYPE	DWG NO.		B	C-	AT15-12PX-BM1X		SCALE	NONE	REVISION				A2
UNLESS OTHERWISE SPECIFIED	SIGNATURES	DATE	<h1>Amphenol</h1> <p>Sine Systems - www.amphenol-sine.com 44724 Morley Drive Clinton Township, MI 48036</p>																																					
1) All dimensions are in metric (mm).	DRAWN: BROOK DING	19/AUG/19																																						
2) Tolerances are as follows: 1 PL DEC ±0.30 2 PL DEC ±0.15 3 PL DEC ±0.08	CHECKED: ORION LI	19/AUG/19																																						
3) Note reference =	ENGINEER:																																							
MATERIAL SPECIFICATIONS:	APPROVAL: TOMMY XIE	19/AUG/19	CUSTOMER:																																					
PROCESS SPECIFICATIONS:	THIS DRAWING IS SUPPLIED FOR INFORMATION ONLY. DESIGN FEATURES, SPECIFICATIONS AND PERFORMANCE DATA SHOWN HEREON ARE THE PROPERTY OF THE AMPHENOL CORPORATION. NO RIGHTS OF REPRODUCTION ARE IMPLIED. ALL DIMENSIONS ARE SUBJECT TO NORMAL MANUFACTURING VARIATIONS.		BOARDLOCK PCB MOUNT RECEPTACLE 12PIN ENHANCED KEY, STRAIGHT AT SERIES																																					
NEXT ASSY:	SIZE	TYPE	DWG NO.																																					
	B	C-	AT15-12PX-BM1X																																					
	SCALE	NONE	REVISION																																					
			A2																																					
		SIZE	REVISION																																					
		SCALE	A2																																					
		SHEET	1 OF 3																																					

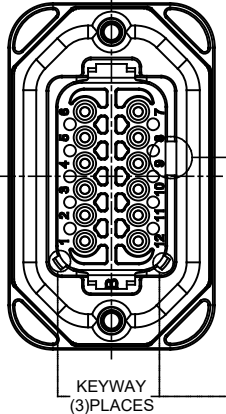
TITLE: BOARDLOCK PCB MOUNT RECEPTACLE 12PIN ENHANCED KEY STRAIGHT AT SERIES
 DWG NO.: AT15-12PX-BM1X
 REV: A2
 SH: 1
 OF: 3

REVISIONS					
REV	ECO	DESCRIPTION	DATE	BY	APPR
A1	--	RELEASE NEW DRAWING	14/DEC/18	BROOK	TOMMY
A2	C1106S	UPDATE DRAWING	19/AUG/19	BROOK	TOMMY
A3	--	REVISED DRAWING	10JUL20	JHEAD	DH

P/N AT15-12PA-BM1X
KEY-A CONFIGURATION
STANDARD COLOR: GREY



P/N AT15-12PB-BM1X
KEY-B CONFIGURATION
STANDARD COLOR: BLACK



AT15-12PA-BM1X VARIANTS		
CONTACT PLATING	POTTING OR NOT IN RESERVOIR	PART NUMBER
TIN	NO POTTING	AT15-12PA-BM16
TIN	POTTING	AT15-12PA-BM17
GOLD	NO POTTING	AT15-12PA-BM18
GOLD	POTTING	AT15-12PA-BM19

AT15-12PB-BM1X VARIANTS		
CONTACT PLATING	POTTING OR NOT IN RESERVOIR	PART NUMBER
TIN	NO POTTING	AT15-12PB-BM16
TIN	POTTING	AT15-12PB-BM17
GOLD	NO POTTING	AT15-12PB-BM18
GOLD	POTTING	AT15-12PB-BM19

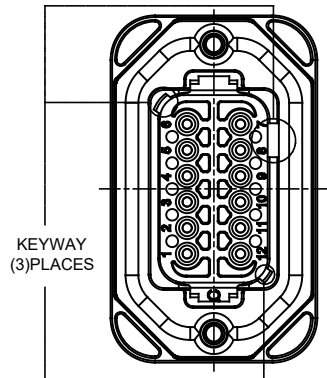
AT15-12PX-BM1X		REF : DT15-12PA-B016, DT15-12PB-B016, DT15-12PC-B016, DT15-12PD-B016		
PART NUMBER		DESCRIPTION		ITEM
QUANTITY	MATERIALS LIST			
UNLESS OTHERWISE SPECIFIED 1) All dimensions are in metric(mm). 2) Tolerances are as follows: 1 PL DEC ±0.30 Fractions ±1/64 2 PL DEC ±0.15 Angles ±1° 3 PL DEC ±0.08 3) Note reference =	SIGNATURES	DATE	 Sine Systems - www.amphenol-sine.com 44724 Morley Drive Clinton Township, MI 48036 BOARDLOCK PCB MOUNT RECEPTACLE 12PIN ENHANCED KEY, STRAIGHT AT SERIES	
	DRAWN: BROOK.DING	19/AUG/19		
	CHECKED: ORION.LI	19/AUG/19		
	ENGINEER:			
MATERIAL SPECIFICATIONS:	APPROVAL: TOMMY.XIE	19/AUG/19	SIZE: B TYPE: C- DWG NO: AT15-12PX-BM1X REVISION: A2	
PROCESS SPECIFICATIONS:	CUSTOMER:		SCALE: NONE SHEET 2 OF 3	
NEXT ASSY:	THIS DRAWING IS SUPPLIED FOR INFORMATION ONLY. DESIGN FEATURES, SPECIFICATIONS AND PERFORMANCE DATA SHOWN HEREON ARE THE PROPERTY OF THE AMPHENOL CORPORATION. NO RIGHTS OF REPRODUCTION ARE IMPLIED. ALL DIMENSIONS ARE SUBJECT TO NORMAL MANUFACTURING VARIATIONS.			

TITLE: BOARDLOCK PCB MOUNT RECEPTACLE 12PIN ENHANCED KEY, STRAIGHT AT SERIES
DWG NO: AT15-12PX-BM1X
REV: A2
SH: 2
OF: 3

REVISIONS

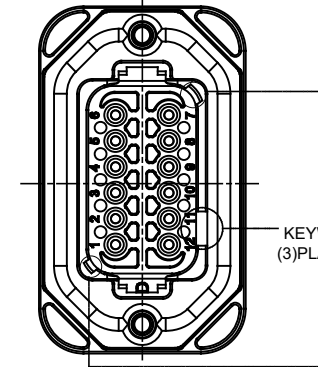
REV	ECO	DESCRIPTION	DATE	BY	APPR
A1	--	RELEASE NEW DRAWING	14/DEC/18	BROOK	TOMMY
A2	C1105S	UPDATE DRAWING	19/AUG/19	BROOK	TOMMY
A3	--	REVISED DRAWING	10JUL20	JHEAD	DH

P/N AT15-12PC-BM1X
KEY-C CONFIGURATION
STANDARD COLOR: GREEN



KEYWAY
(3)PLACES

P/N AT15-12PD-BM1X
KEY-D CONFIGURATION
STANDARD COLOR: BROWN



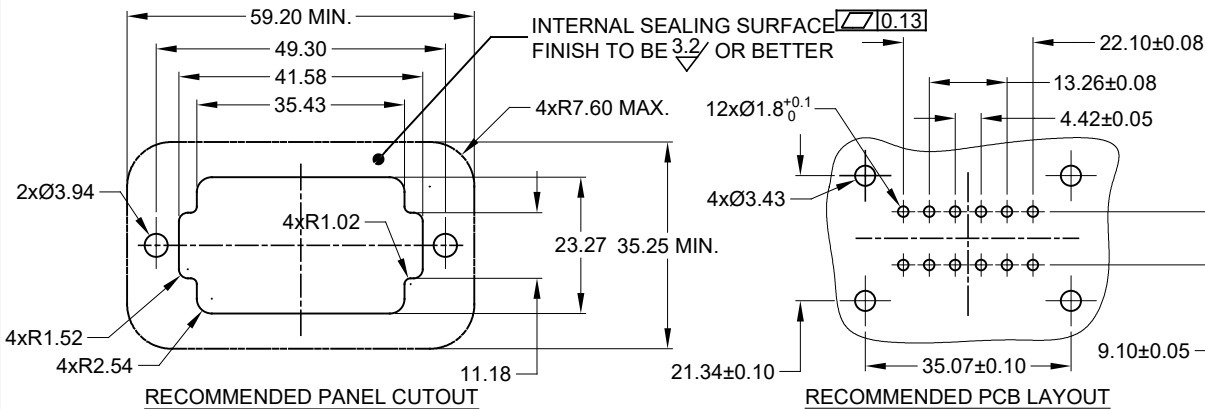
KEYWAY
(3)PLACES

AT15-12PC-BM1X VARIANTS

CONTACT PLATING	POTTING OR NOT IN RESERVOIR	PART NUMBER
TIN	NO POTTING	AT15-12PC-BM16
TIN	POTTING	AT15-12PC-BM17
GOLD	NO POTTING	AT15-12PC-BM18
GOLD	POTTING	AT15-12PC-BM19

AT15-12PD-BM1X VARIANTS

CONTACT PLATING	POTTING OR NOT IN RESERVOIR	PART NUMBER
TIN	NO POTTING	AT15-12PD-BM16
TIN	POTTING	AT15-12PD-BM17
GOLD	NO POTTING	AT15-12PD-BM18
GOLD	POTTING	AT15-12PD-BM19



QUANTITY	AT15-12PX-BM1X	REF : DT15-12PA-B016, DT15-12PB-B016, DT15-12PC-B016, DT15-12PD-B016	ITEM
PART NUMBER		DESCRIPTION	
MATERIALS LIST			
<small>UNLESS OTHERWISE SPECIFIED</small> 1) All dimensions are in metric(mm). 2) Tolerances are as follows: 1 PL DEC ±0.50 Fractions ±1/64 2 PL DEC ±0.15 Angles ±1° 3 PL DEC ±0.08 3) Note reference =		Amphenol Sine Systems - www.amphenol-sine.com 44724 Morley Drive Clinton Township, MI 48036	
<small>SIGNATURES</small> DRAWN: BROCK DING 19/AUG/19 CHECKED: ORION LI 19/AUG/19 ENGINEER: APPROVAL: TOMMY XIE 19/AUG/19		BOARDLOCK PCB MOUNT RECEPTACLE 12PIN ENHANCED KEY, STRAIGHT AT SERIES	
<small>MATERIAL SPECIFICATIONS:</small> CUSTOMER:		THIS DRAWING IS SUPPLIED FOR INFORMATION ONLY. DESIGN FEATURES, SPECIFICATIONS AND PERFORMANCE DATA SHOWN HEREON ARE THE PROPERTY OF THE AMPHENOL CORPORATION. NO RIGHTS OF REPRODUCTION ARE IMPLIED. ALL DIMENSIONS ARE SUBJECT TO NORMAL MANUFACTURING VARIATIONS.	
<small>PROCESS SPECIFICATIONS:</small>		SIZE: B C-	DWG NO: AT15-12PX-BM1X
<small>NEXT ASSY:</small>		SCALE: NONE	SHEET 3 OF 3

TITLE BOARDLOCK PCB MOUNT RECEPTACLE 12PIN ENHANCED KEY STRAIGHT AT SERIES DWG NO: AT15-12PX-BM1X REV A2 SH 3 OF 3