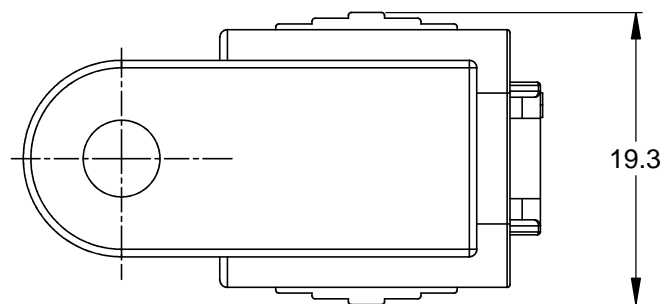
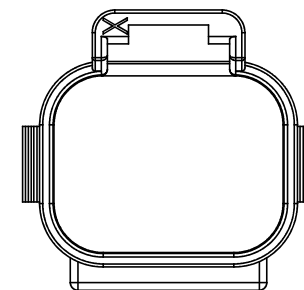
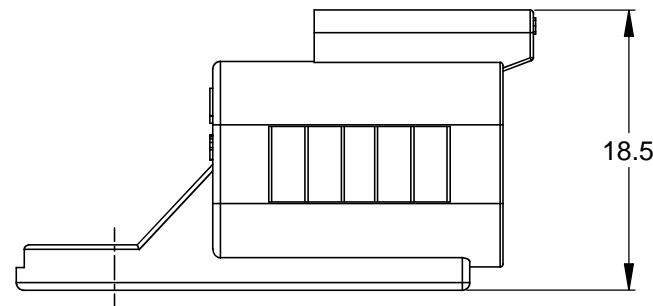
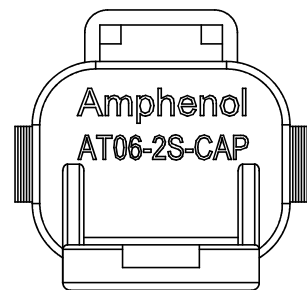
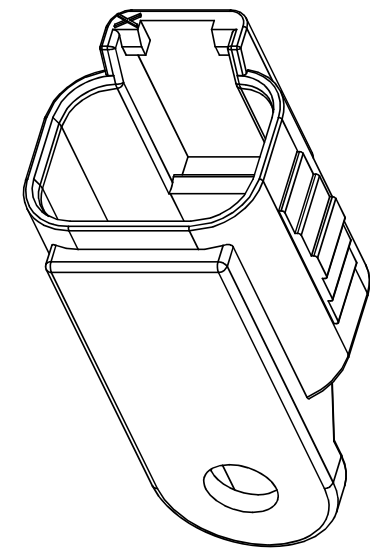
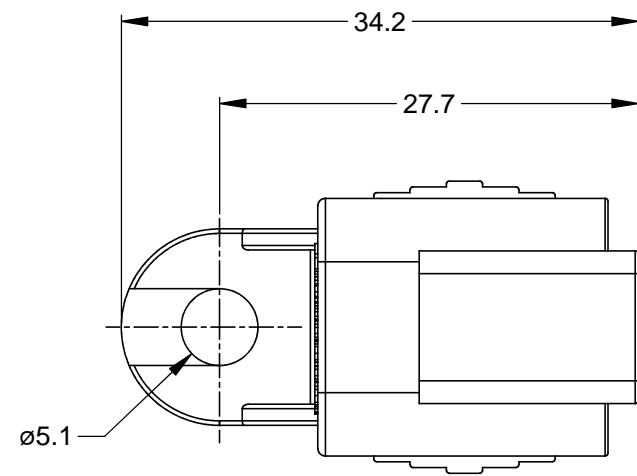


REVISIONS					
REV	ECO	DESCRIPTION	DATE	BY	APPR
A1	-	RELEASE NEW DWG FORMAT	04APR14	RFC	



NOTES: UNLESS OTHERWISE SPECIFIED

1. MATERIAL: THERMOPLASTIC, COLOR: BLACK
2. RoHS COMPLIANT
3. MOISTURE RESISTANCE: IP67 MATED CONDITION
4. TEMPERATURE RANGE: -55C~125C
5. USE WITH CONNECTORS AT06-2S\*  
(\* = MODIFICATIONS AND/OR COLORS)
6. ALL DIMENSIONS ARE FOR REFERENCE USE ONLY.

TITLE: PROTECTIVE CAP, 2 POSITION, AT-SERIES  
 DWG NO.: AT06-2S-CAP  
 REV: A1  
 SH: 1  
 OF: 1

QUANTITY	PART NUMBER	DESCRIPTION	ITEM
<p><b>MATERIALS LIST</b></p> <p>UNLESS OTHERWISE SPECIFIED</p> <p>1) All dimensions are in metric(mm).            2) Tolerances are as follows:            1 PL DEC ±0.30            2 PL DEC ±0.15            3 PL DEC ±0.08</p> <p>Fractions ±1/64            Angles ±1°</p> <p>3) Note reference = </p>			
SIGNATURES		DATE	<p><b>Amphenol</b></p> <p>Sine Systems - www.amphenol-sine.com            44724 Morley Drive            Clinton Township, MI 48036</p>
DRAWN: JARRY/RENE		04APR14	
CHECKED:			
ENGINEER:			
APPROVAL:			<p>PROTECTIVE CAP, 2 POSITION, AT-SERIES</p>
CUSTOMER:			
<p>THIS DRAWING IS SUPPLIED FOR INFORMATION ONLY. DESIGN FEATURES, SPECIFICATIONS AND PERFORMANCE DATA SHOWN HEREON ARE THE PROPERTY OF THE AMPHENOL CORPORATION. NO RIGHTS OF REPRODUCTION ARE IMPLIED. ALL DIMENSIONS ARE SUBJECT TO NORMAL MANUFACTURING VARIATIONS.</p>			
MATERIAL SPECIFICATIONS:			
PROCESS SPECIFICATIONS:			
NEXT ASSY:			
SCALE: NONE		DWG NO: AT06-2S-CAP	REVISION: A1
		SHEET 1 OF 1	