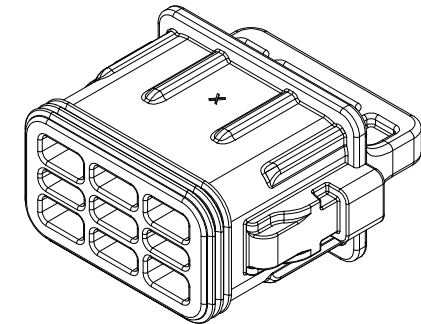


REVISIONS					
REV	ECO	DESCRIPTION	DATE	BY	APPR
A1	-	RELEASE NUMBER	30/MAR/22	LOUIE	TOMMY
A2	-	ADD IP67 ON NOTES	26/MAY/23	HAILEY	TOMMY



NOTES: UNLESS OTHERWISE SPECIFIED

- COLOR: SEE P/N CHART
- MATERIAL: THERMOPLASTIC ELASTOMER
- RoHS COMPLIANT
- KEYED: N/A
- USE WITH CONNECTORS AT04-12P*, AT16-15P*, AT16-18P* (* = MODIFICATIONS AND/OR COLORS)
- MOISTURE RESISTANCE: IP67 (MATED CONDITION)
- ALL DIMENSIONS ARE FOR REFERENCE USE ONLY.

P/N CHART	
COLOR	P/N
RED	AT18P-RSC-RED
BLACK	AT18P-RSC-BLK

SEE P/N CHART		DESCRIPTION		ITEM
QUANTITY	PART NUMBER	MATERIALS LIST		
UNLESS OTHERWISE SPECIFIED 1) All dimensions are in metric(mm). 2) Tolerances are as follows: 1 PL DEC ±0.30 2 PL DEC ±0.15 3 PL DEC ±0.08 Fractions ±1/64 Angles ±1° 3) Note reference =		SIGNATURES DRAWN: HAILEY CHECKED: ORION ENGINEER: APPROVAL: TOMMY	DATE 26/MAY/23 26/MAY/23 26/MAY/23	Amphenol Sine Systems - www.amphenol-sine.com 44724 Morley Drive Clinton Township, MI 48036
MATERIAL SPECIFICATIONS:		CUSTOMER:		RECEPTACLE SEAL CAPS, 12,15&18 POS,AT SERIES
PROCESS SPECIFICATIONS:		THIS DRAWING IS SUPPLIED FOR INFORMATION ONLY. DESIGN FEATURES, SPECIFICATIONS AND PERFORMANCE DATA SHOWN HEREON ARE THE PROPERTY OF THE AMPHENOL CORPORATION. NO RIGHTS OF REPRODUCTION ARE IMPLIED. ALL DIMENSIONS ARE SUBJECT TO NORMAL MANUFACTURING VARIATIONS.		SCALE: NONE SIZE: B C- TYPE: AT18P-RSC-XXX DWG NO: AT18P-RSC-XXX REVISION: A2
NEXT ASSY:				SHEET 1 OF 1

TITLE: RECEPTACLE SEAL CAPS, 12,15&18 POS,AT SERIES
 DWG NO: AT18P-RSC-XXX
 REV: A2
 SH: 1
 OF: 1