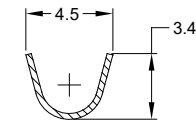
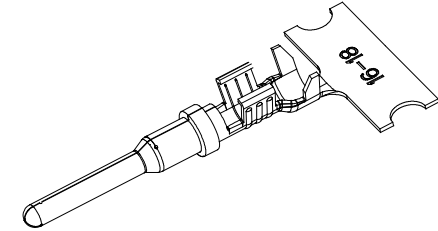
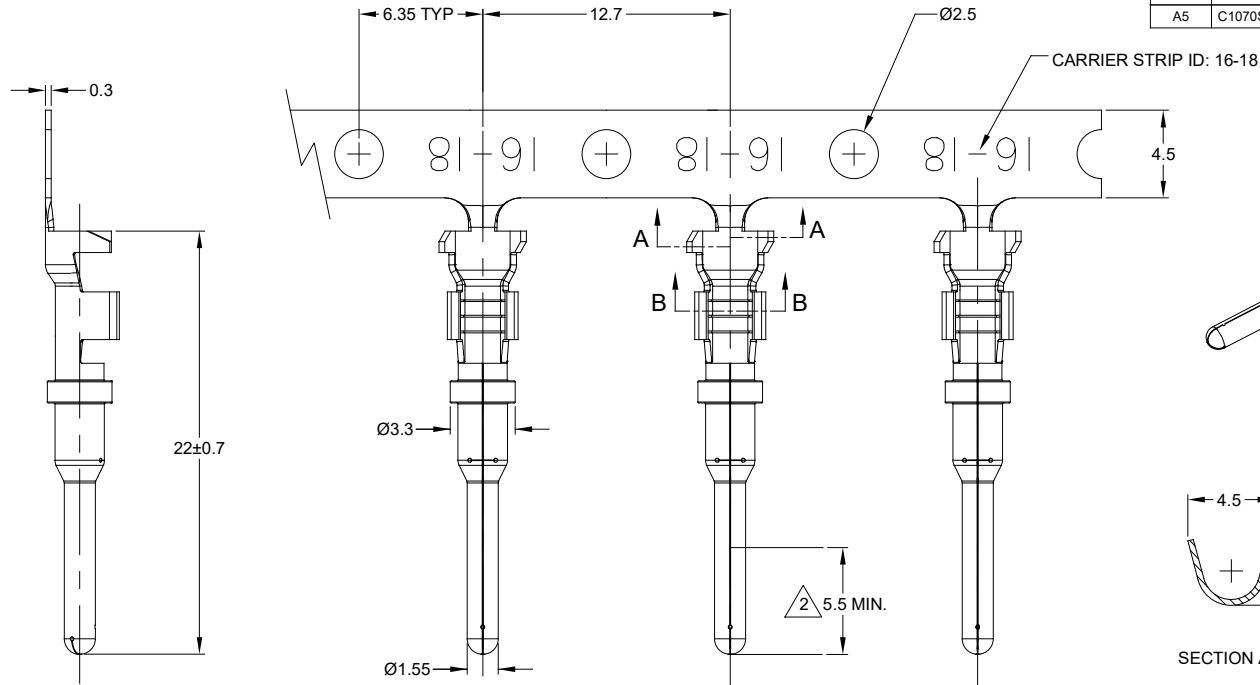
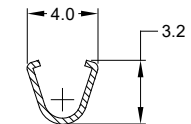


REVISIONS					
REV	ECO	DESCRIPTION	DATE	BY	APPR
A3	-	RELEASE NEW DWG FORMAT	21OCT13	DRP	-
A4	-	REVISED PLATING INFO	16/JUN/16	JAH	-
A5	C1070S	UPDATE DRAWING	21/JUN/19	ROOKIE	TOMMY



SECTION A-A



SECTION B-B

NOTES: UNLESS OTHERWISE SPECIFIED

1. MATERIAL: COPPER ALLOY
2. PLATING: SEE PART NUMBER CHART  
\*FOR GOLD PLATED CONTACTS: SELECTIVE GOLD FLASH IN CONTACT ZONE OR ENTIRE CONTACT.
3. CONTACT SIZE: 16
4. SPECIFICATIONS:
  - 4.1 CURRENT RATING: 13 AMPS
  - 4.2 CONTACT MILLIVOLT DROP: 100 MILLIVOLT DROP @ 13 AMP TEST CURRENT.
  - 4.3 RoHS COMPLIANT
5. RECOMMENDED WIRE RANGE: 16 - 18 AWG  
CUSTOMER OPTIONAL WIRE RANGE: 14 AWG
6. PACKAGE: 4000 PCS/REEL
7. AVAILABLE APPLICATORS: MFX-3953-K OR MFX-3953-G
8. ALL DIMENSIONS ARE FOR REFERENCE USE ONLY



PART NUMBER CHART	
PLATING	PART NUMBERS
NICKEL	AT60-16-0122
GOLD	AT60-16-0144

SEE PART NUMBER CHART		REF: 1060-16-0144, 1060-16-0122		
PART NUMBER		DESCRIPTION		
QUANTITY	MATERIALS LIST			ITEM
UNLESS OTHERWISE SPECIFIED: 1) All dimensions are in metric (mm). 2) Tolerances are as follows: 1 PL DEC ±0.30 2 PL DEC ±0.15 3 PL DEC ±0.08 Fractions ±1/64 Angles ±1°		SIGNATURES	DATE	<b>Amphenol</b> Sine Systems - www.amphenol-sine.com 44724 Morley Drive Clinton Township, MI 48036 CONTACT, PIN, STAMPED, SIZE 16, 16-18 AWG, A SERIES
MATERIAL SPECIFICATIONS:		DRAWN: ROOKIE HE	21/JUN/19	
PROCESS SPECIFICATIONS:		CHECKED: ORION LI	21/JUN/19	
NEXT ASSY:		APPROVAL: TOMMY XIE	21/JUN/19	
THIS DRAWING IS SUPPLIED FOR INFORMATION ONLY. DESIGN FEATURES, SPECIFICATIONS AND PERFORMANCE DATA SHOWN HEREON ARE THE PROPERTY OF THE AMPHENOL CORPORATION. NO RIGHTS OF REPRODUCTION ARE IMPLIED. ALL DIMENSIONS ARE SUBJECT TO NORMAL MANUFACTURING VARIATIONS.		CUSTOMER:		SIZE: <b>B C-</b> TYPE: <b>AT60-16-01XX</b> REVISION: <b>A5</b> SCALE: NONE SHEET 1 OF 1

TITLE: PIN, STAMPED, SIZE 16, 16-18 AWG, A SERIES  
DWG NO: AT60-16-01XX  
REV: A5  
SH: 1  
OF: 1