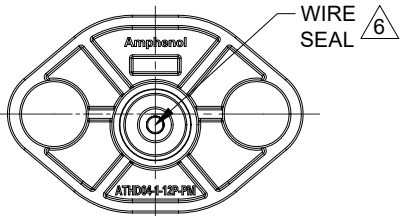
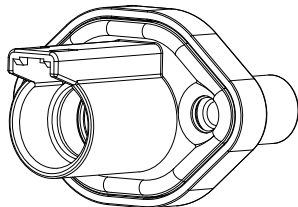
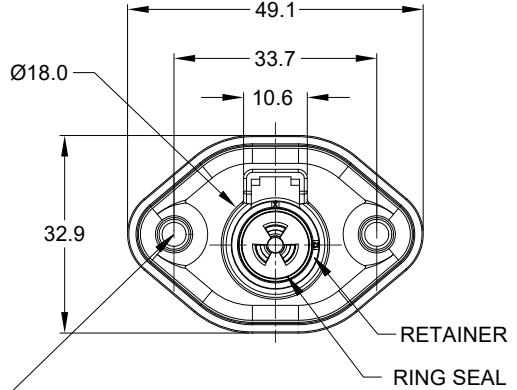
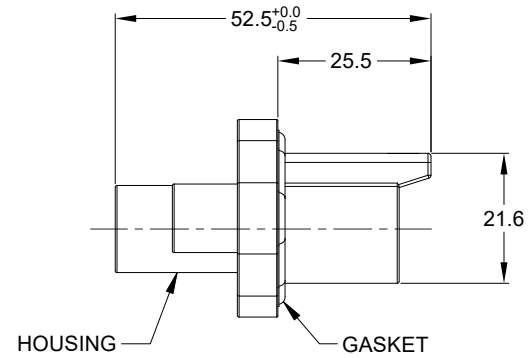


REVISIONS					
REV	ECO	DESCRIPTION	DATE	BY	APPR
A1	-	RELEASED DRAWING	10DEC21	VITO	TOMMY



WIRE SEAL 



NOTES: UNLESS OTHERWISE SPECIFIED

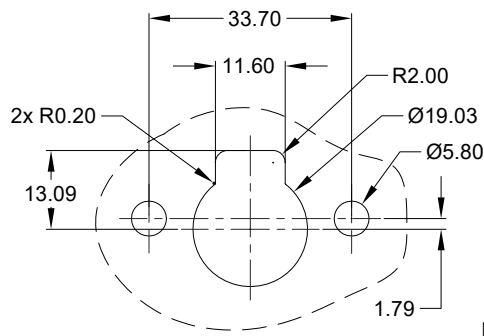
- MATERIAL:
HOUSING, RETAINER: THERMOPLASTIC; COLOR: BLACK
RING SEAL, WIRE SEAL, GASKET: SILICONE RUBBER; COLOR: RED
- MODIFICAIONS: FRONT FLANGE MOUNT;
SCREW BOSS
- SPECIFICATIONS:
 - CURRENT RATING: 25 AMPS
 - OPERATING TEMPERATURE: -55°C TO +125°C
 - DIELECTRIC WITHSTANDING VOLTAGE: LESS THAN 2 MILLIAMPS CURRENT LEAKAGE @ 1500 VOLTS AC.
 - INSULATION RESISTANCE: 1000 MEGOHMS MIN @ 25°C.
 - MOISTURE RESISTANCE:
IP68(IM OF WATER FOR A PERIOD OF 24 HOURS,MATED CONDITION);
IP69K (MATED CONDITION)
 - MATING CYCLE DURABILITY: 100 CYCLES
 - RoHS COMPLIANT

4. MATING PART:ATHD06-1-12S* PLUG (* = MODIFICATIONS)

5. ALL DIMENSIONS ARE FOR REFERENCE USE ONLY.


 CONTACT SIZE AND REAR SEAL WIRE RANGE:

CONTACT SIZE	MIN. INSUL O.D.	MAX. INSUL O.D.	TYPICAL WIRE RANGE
12	3.40 mm (.134 in)	4.32 mm (.170 in)	10 - 14 AWG (5.0-2.0 mm ²)



RECOMMENDED PANEL CUTOUT

- 2X Ø4.0, 16.1 DP FROM MATING SURFACE
RECOMMENDED ATTACHMENT OPTIONS:
- HEX WASHER HEAD SHEETMETAL SCREW, #10, HEX SIZE 5/16"
 - SELF THREAD SCREW FOR PLASTIC SUCH AS ST 4.8 . RECOMMENDED TORQUE : 1.9 - 2.2 N.M

ATHD04-1-12P-PM11		DESCRIPTION		ITEM										
QUANTITY	PART NUMBER	MATERIALS LIST												
UNLESS OTHERWISE SPECIFIED 1) All dimensions are in metric(mm). 2) Tolerances are as follows: 1 PL DEC ±0.30 Fractions ±1/64 2 PL DEC ±0.15 Angles ±1° 3) Note reference = 		<table border="1"> <thead> <tr> <th>SIGNATURES</th> <th>DATE</th> </tr> </thead> <tbody> <tr> <td>DRAWN: VITOLJ</td> <td>10DEC21</td> </tr> <tr> <td>CHECKED: SULLENZHANG</td> <td>13DEC21</td> </tr> <tr> <td>ENGINEER:</td> <td></td> </tr> <tr> <td>APPROVAL: TOMMY XIE</td> <td>14DEC21</td> </tr> </tbody> </table>			SIGNATURES	DATE	DRAWN: VITOLJ	10DEC21	CHECKED: SULLENZHANG	13DEC21	ENGINEER:		APPROVAL: TOMMY XIE	14DEC21
SIGNATURES	DATE													
DRAWN: VITOLJ	10DEC21													
CHECKED: SULLENZHANG	13DEC21													
ENGINEER:														
APPROVAL: TOMMY XIE	14DEC21													
MATERIAL SPECIFICATIONS:		<p>Amphenol</p> <p>Sine Systems - www.amphenol-sine.com 44724 Morley Drive Clinton Township, MI 48036</p>												
PROCESS SPECIFICATIONS:		<p>1 POS, RECEPTACLE, PIN, SIZE 12, ATHD SERIES, FLANGE MOUNT, SCREW BOSS</p>												
NEXT ASSY:		SIZE: B C-	TYPE: C-	DWG NO: ATHD04-1-12P-PM11										
		SCALE: NONE	REVISION: A1											
		SHEET 1 OF 1												

TITLE: 1 POS, RECEPTACLE, PIN, SIZE 12, ATHD SERIES, FLANGE MOUNT, SCREW BOSS
DWG NO: ATHD04-1-12P-PM11
REV: A1
SH: 1
OF: 1