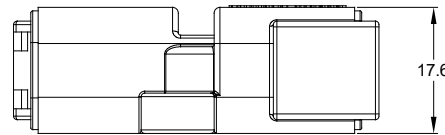
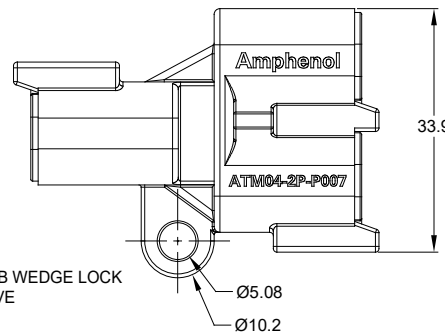
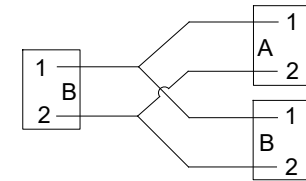
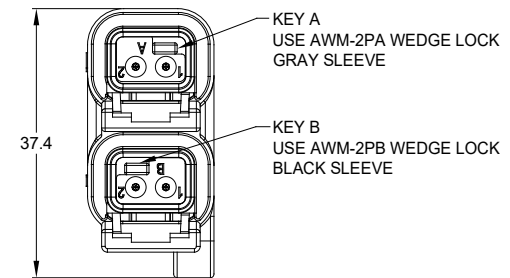


KEY B  
USE AWM-2PB WEDGE LOCK  
BLACK SLEEVE



REVISIONS					
REV	ECO	DESCRIPTION	DATE	BY	APPR
01	-	RELEASE NEW PRODUCT	28JUN19	ZENIN	TOMMY



WIRING DIAGRAM

NOTES: UNLESS OTHERWISE SPECIFIED

- MATERIAL:  
HOUSING: THERMOPLASTIC; BLACK  
SLEEVE: THERMOPLASTIC  
SEAL: SILICONE RUBBER  
CONTACT: COPPER ALLOY; GOLD PLATE
- CONNECTOR SPECIFICATIONS:  
2.1 CURRENT RATING: 7.5 AMPS  
2.2 OPERATING TEMPERATURE: -55°C TO +125°C  
2.3 DIELECTRIC WITHSTANDING VOLTAGE: LESS THAN 2 MILLIAMPS CURRENT LEAKAGE @ 1500 VOLTS AC.  
2.4 INSULATION RESISTANCE: 1000 MEGOHMS MIN @ 25°C.  
2.5 MOISTURE RESISTANCE: IP67 ( MATED CONDITION )  
2.6 MATING CYCLE DURABILITY: 100 CYCLES  
2.7 RoHS COMPLIANT
- MATING PART: ATM06-2S\* PLUG  
(\* = MODIFICATIONS AND COLORS)
- ALL DIMENSIONS ARE FOR REFERENCE USE ONLY.
- CONTACT SIZE: 20#

ATM04-2P-P007		REF: DTM04-2P-P007		
PART NUMBER		DESCRIPTION		
QUANTITY	MATERIALS LIST			ITEM
UNLESS OTHERWISE SPECIFIED: 1) All dimensions are in metric (mm). 2) Tolerances are as follows: 1 PL DEC ±0.30 2 PL DEC ±0.15 3 PL DEC ±0.08 Fractions ±1/64 Angles ±1°		SIGNATURES		DATE
3) Note reference =		DRAWN: ZENIN DENG		28JUN19
MATERIAL SPECIFICATIONS:		CHECKED: ORION LI		28JUN19
PROCESS SPECIFICATIONS:		APPROVAL: TOMMY XIE		28JUN19
NEXT ASSY:		CUSTOMER:		
THIS DRAWING IS SUPPLIED FOR INFORMATION ONLY. DESIGN FEATURES, SPECIFICATIONS AND PERFORMANCE DATA SHOWN HEREON ARE THE PROPERTY OF THE AMPHENOL CORPORATION. NO RIGHTS OF REPRODUCTION ARE IMPLIED. ALL DIMENSIONS ARE SUBJECT TO NORMAL MANUFACTURING VARIATIONS.		CUSTOMER:		
SIZE: B		TYPE: C-		DWG NO: ATM04-2P-P007
SCALE: NONE		SHEET 1 OF 1		REVISION 01

TITLE: RECEPTACLE, 2WAY,Y-SPLITTER,HOUSING, ATM SERIES  
DWG NO: ATM04-2P-P007  
REV: 01  
SH: 1  
OF: 1

**Amphenol**

Sine Systems - www.amphenol-sine.com  
44724 Morley Drive  
Clinton Township, MI 48036

RECEPTACLE, 2 WAY, Y-SPLITTER, ATM SERIES