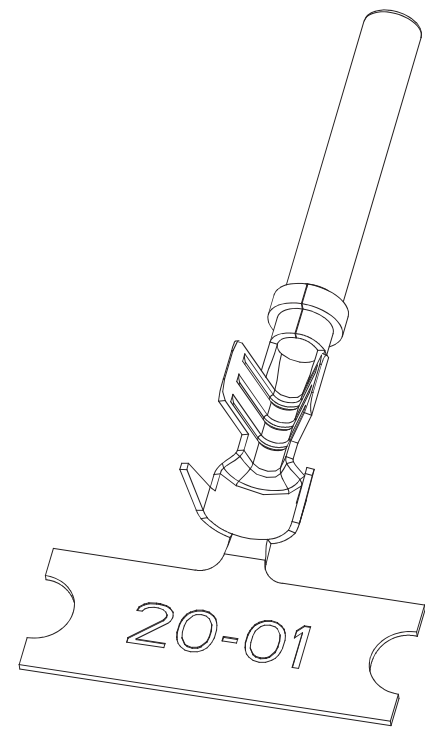
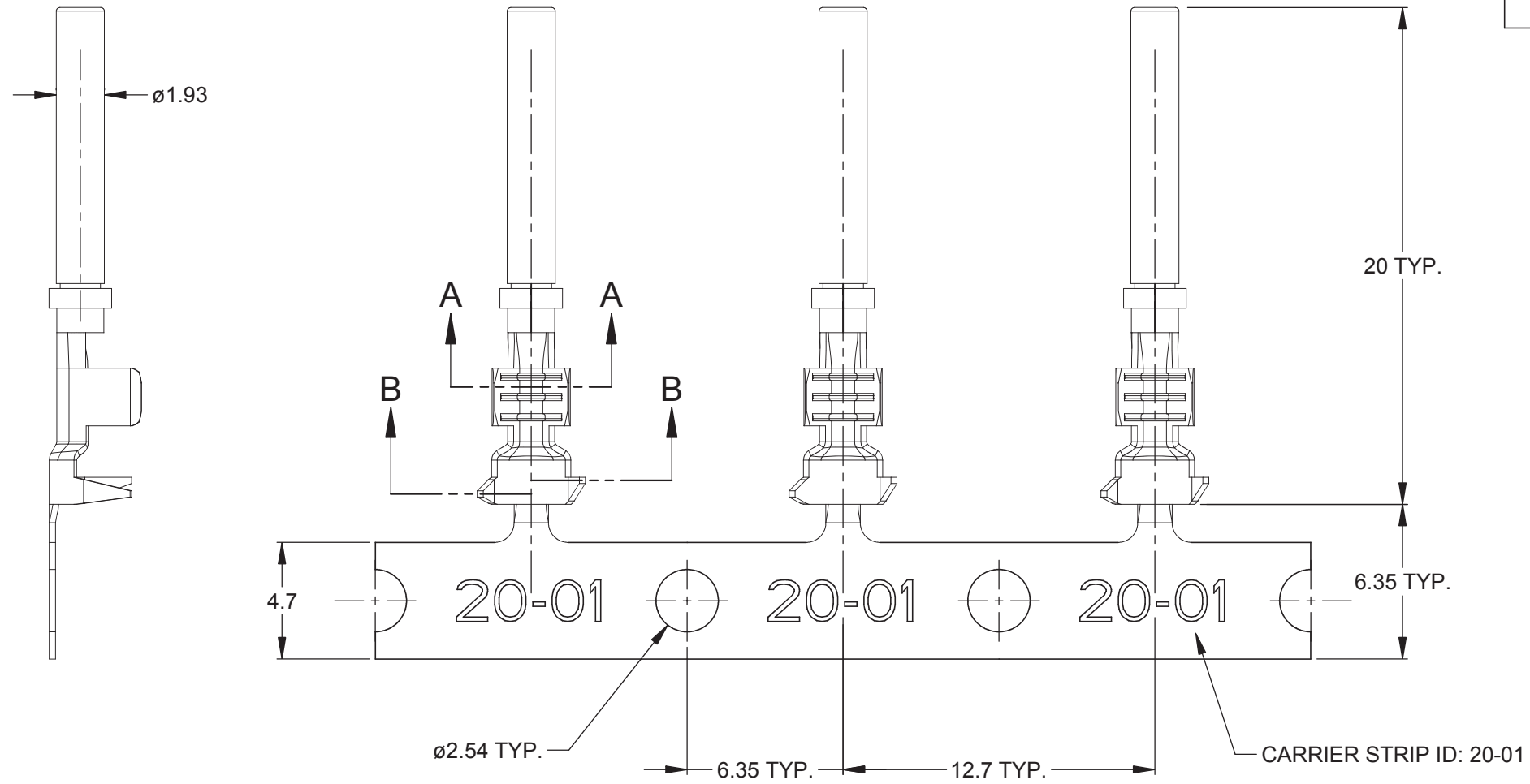
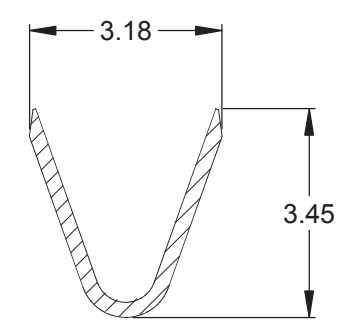
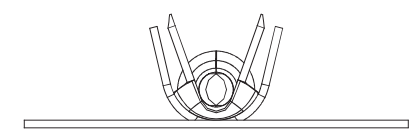


REVISIONS					
REV	ECO	DESCRIPTION	DATE	BY	APPR
A3	-	RELEASE NEW DWG FORMAT	07/30/13	DRP	-
A4	-	CONTACT INFORMATION UPDATED	01/16/14	DRP	-

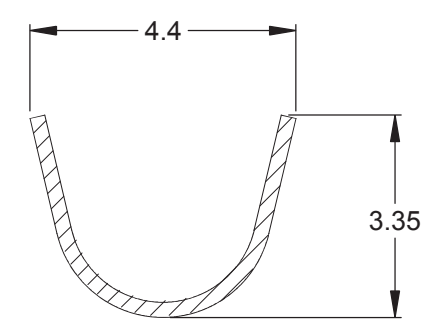


NOTES: UNLESS OTHERWISE SPECIFIED

- MATERIAL: COPPER ALLOY
- PLATING: SEE PART NUMBER CHART
- CONTACT SIZE: 20
- SPECIFICATIONS:
  - CURRENT RATING: 7.5 AMPS
  - CONTACT MILLIVOLT DROP: 100 MILLIVOLT DROP MAXIMUM AT 7.5 AMP TEST CURRENT.
  - RoHS COMPLIANT
- RECOMMENDED WIRE RANGE: 16 - 22 AWG
- PACKAGE: 4000PCS/REEL
- AVAILABLE APPLICATORS: MFX-3974-K OR MFX-3974-G
- ALL DIMENSIONS ARE FOR REFERENCE USE ONLY



SECTION A-A



SECTION B-B

PART NUMBER CHART	
PLATING	PART NUMBER
NICKEL	AT62-20-0122
GOLD	AT62-20-0144

QUANTITY	SEE PART NUMBER CHART	DESCRIPTION	ITEM
	PART NUMBER		

UNLESS OTHERWISE SPECIFIED 1) All dimensions are in metric(mm). 2) Tolerances are as follows: 1 PL DEC ±0.30 2 PL DEC ±0.15 3 PL DEC ±0.08 Fractions ±1/64 Angles ±1° 3) Note reference =		SIGNATURES DRAWN: D.PARKS CHECKED: ENGINEER: APPROVAL:	DATE 07/30/13	<b>SINE Systems Corporation</b> A Subsidiary of Amphenol Corporation 44724 Morley Drive Clinton Township, MI 48036
MATERIAL SPECIFICATIONS:		CUSTOMER:		
PROCESS SPECIFICATIONS:		THIS DRAWING IS SUPPLIED FOR INFORMATION ONLY. DESIGN FEATURES, SPECIFICATIONS AND PERFORMANCE DATA SHOWN HEREON ARE THE PROPERTY OF THE AMPHENOL CORPORATION. NO RIGHTS OF REPRODUCTION ARE IMPLIED. ALL DIMENSIONS ARE SUBJECT TO NORMAL MANUFACTURING VARIATIONS.		CONTACT, SOCKET, STAMPED, SIZE 20, 16-22 AWG, ATM SERIES
NEXT ASSY:	SCALE: NONE	SIZE: B	FSCM NO.: —	DWG NO.: C- AT62-20-01XX
				REVISION: A4
			SHEET 1 OF 1	

TITLE: SOCKET, STAMPED, SIZE 20, 16-22 AWG, ATM SERIES  
DWG NO.: C- AT62-20-01XX  
REV: A4  
SH: 1  
OF: 1