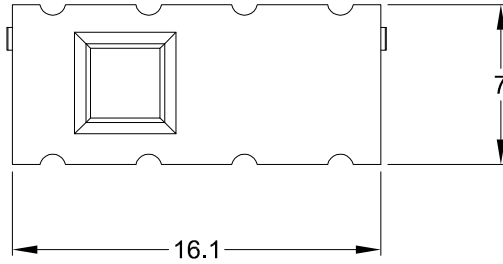
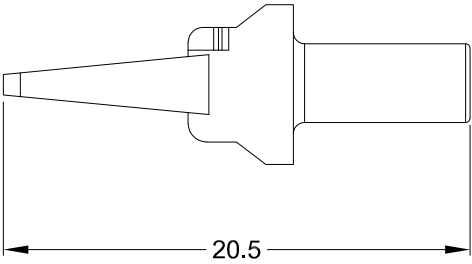
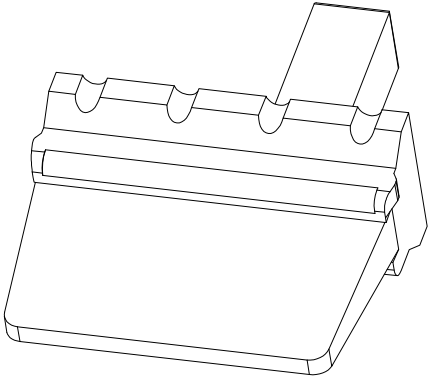
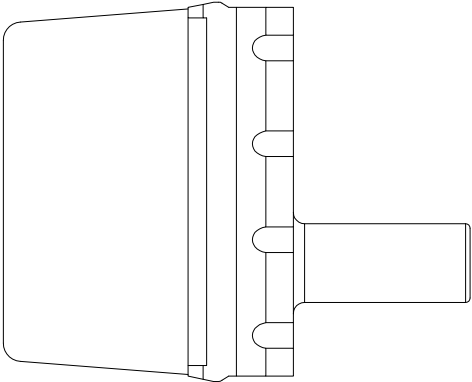


REVISIONS					
REV	ECO	DESCRIPTION	DATE	BY	APPR
A3		RELEASE NEW DWG FORMAT	24/JUL/13	DRP	



NOTES: UNLESS OTHERWISE SPECIFIED

- MATERIAL: THERMOPLASTIC; COLOR: ORANGE
- RoHS COMPLIANT
- CAVITIES: 8
- KEYED: N/A
- USE WITH CONNECTORS: ATM04-08P*
(* = MODIFICATIONS AND COLORS)
- ALL DIMENSIONS ARE FOR REFERENCE USE ONLY.

AWM-8P		PART NUMBER		DESCRIPTION		ITEM								
QUANTITY		MATERIALS LIST												
UNLESS OTHERWISE SPECIFIED 1) All dimensions are in metric (mm). 2) Tolerances are as follows: 1 PL DEC ±0.30 2 PL DEC ±0.15 3 PL DEC ±0.08 3) Note reference =		SIGNATURES		DATE		<h1 style="text-align: center;">Amphenol</h1> <p style="text-align: center;">Sine Systems - www.amphenol-sine.com 44724 Morley Drive Clinton Township, MI 48036</p> <p style="text-align: center;">P-WEDGELOCK, 8 POSITION, ATM SERIES</p>								
MATERIAL SPECIFICATIONS:		DRAWN: D.PARKS		24/JUL/13										
PROCESS SPECIFICATIONS:		CHECKED:												
NEXT ASSY:		ENGINEER:												
		APPROVAL:				<table border="1"> <tr> <td>SIZE</td> <td>TYPE</td> <td>DWG NO:</td> <td>REVISION</td> </tr> <tr> <td>A</td> <td>C-</td> <td>AWM-8P</td> <td>A3</td> </tr> </table>	SIZE	TYPE	DWG NO:	REVISION	A	C-	AWM-8P	A3
SIZE	TYPE	DWG NO:	REVISION											
A	C-	AWM-8P	A3											
		CUSTOMER:		SCALE: NONE		<table border="1"> <tr> <td>SHEET</td> <td>1</td> <td>OF</td> <td>1</td> </tr> </table>	SHEET	1	OF	1				
SHEET	1	OF	1											
		THIS DRAWING IS SUPPLIED FOR INFORMATION ONLY. DESIGN FEATURES, SPECIFICATIONS AND PERFORMANCE DATA SHOWN HEREON ARE THE PROPERTY OF THE AMPHENOL CORPORATION. NO RIGHTS OF REPRODUCTION ARE IMPLIED. ALL DIMENSIONS ARE SUBJECT TO NORMAL MANUFACTURING VARIATIONS.												