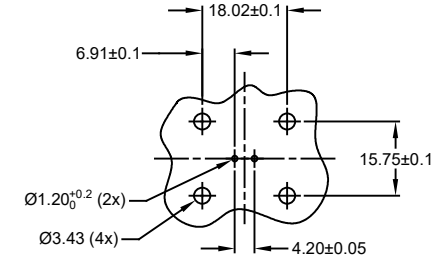
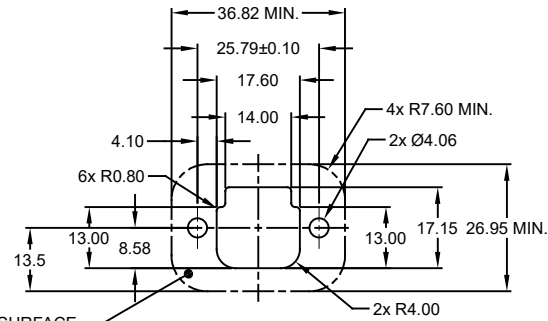
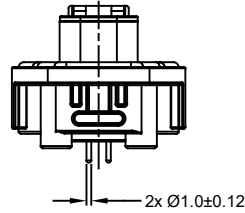
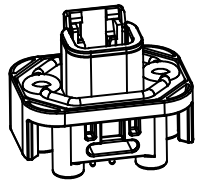
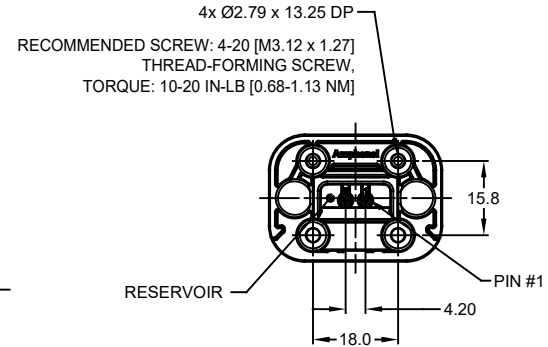
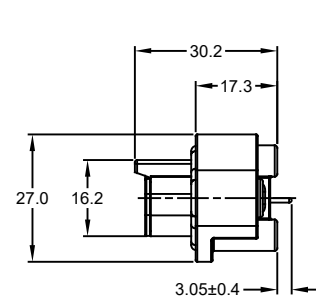
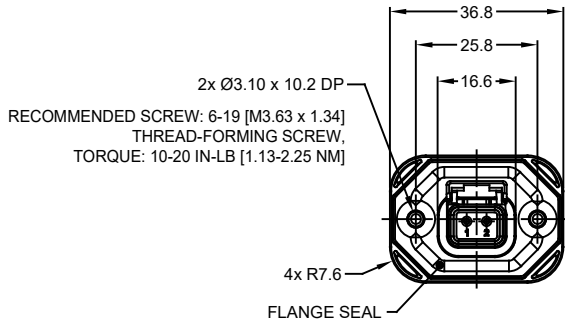


REVISIONS					
REV	ECO	DESCRIPTION	DATE	BY	APPR
A1	-	RELEASE NEW DRAWING	15JUN18	SULLEN	TOMMY
A2	-	REVISED DRAWING	10JUL20	JHEAD	DH



RECOMMENDED PCB LAYOUT
VIEW FROM COMPONENTS
SIDE OF PCB

NOTES: UNLESS OTHERWISE SPECIFIED

- MATERIAL:
HOUSING: THERMOPLASTIC, GREY
SEAL: SILICONE RUBBER
CONTACT: COPPER ALLOY
- MODIFICATIONS: FLANGE; STRAIGHT PCB MOUNT
- SPECIFICATIONS:
3.1 CURRENT RATING: 7.5 AMPS
3.2 OPERATING TEMPERATURE: -55°C TO +125°C
3.3 DIELECTRIC WITHSTANDING VOLTAGE: LESS THAN 2 MILLIAMPS CURRENT LEAKAGE @ 1500 VOLTS AC
3.4 INSULATION RESISTANCE: 1000 MEGOHMS MIN @ 25°C
3.5 MOISTURE RESISTANCE: IP67 (MATED CONDITION)
3.6 MATING CYCLE DURABILITY: 100 CYCLES
3.7 RoHS COMPLIANT
- MATING PART: ATM06-2S* (* = ALL MODIFICATIONS)
- ALL DIMENSIONS ARE FOR REFERENCE USE ONLY
- POTTED CONNECTORS SPECIFIED FOR UP TO 5 P.S.I. APPLICATIONS.

INTERNAL SEALING SURFACE
FINISH TO BE 3.2/ OR BETTER [7/10.13]

RECOMMENDED PANEL
CUTOUT

ATM15-2P-BMXX VARIANTS		
CONTACT PLATING	POTTING OR NOT IN RESERVOIR	PART NUMBER
GOLD	NO POTTING	ATM15-2P-BM01
GOLD	POTTING	ATM15-2P-BM02
TIN	NO POTTING	ATM15-2P-BM03
TIN	POTTING	ATM15-2P-BM04

ATM15-2P-BMXX		PART NUMBER		DESCRIPTION		ITEM																																																																																																
<table border="1"> <thead> <tr> <th>QUANTITY</th> <th colspan="6">MATERIALS LIST</th> </tr> </thead> <tbody> <tr> <td colspan="7">UNLESS OTHERWISE SPECIFIED</td> </tr> <tr> <td colspan="7">1) All dimensions are in metric (mm).</td> </tr> <tr> <td colspan="7">2) Tolerances are as follows:</td> </tr> <tr> <td colspan="7">1 PL DEC ±0.30 Fractions ±1/64</td> </tr> <tr> <td colspan="7">2 PL DEC ±0.15 Angles ±1°</td> </tr> <tr> <td colspan="7">3 PL DEC ±0.08</td> </tr> <tr> <td colspan="7">3) Note reference = </td> </tr> <tr> <td colspan="2">DRAWN: SULEN ZHANG</td> <td colspan="2">DATE: 15JUN18</td> <td colspan="3" rowspan="4"> <p>Sine Systems - www.amphenol-sine.com 44724 Morley Drive Clinton Township, MI 48036</p> </td> </tr> <tr> <td colspan="2">CHECKED: ORION LI</td> <td colspan="2">DATE: 15JUN18</td> </tr> <tr> <td colspan="2">ENGINEER:</td> <td colspan="2">APPROVAL: TOMMY XIE</td> </tr> <tr> <td colspan="2">MATERIAL SPECIFICATIONS:</td> <td colspan="2">DATE: 15JUN18</td> </tr> <tr> <td colspan="2">CUSTOMER:</td> <td colspan="2">THIS DRAWING IS SUPPLIED FOR INFORMATION ONLY. DESIGN FEATURES, SPECIFICATIONS AND PERFORMANCE DATA SHOWN HEREON ARE THE PROPERTY OF THE AMPHENOL CORPORATION. NO RIGHTS OF REPRODUCTION ARE IMPLIED. ALL DIMENSIONS ARE SUBJECT TO NORMAL MANUFACTURING VARIATIONS.</td> <td colspan="3">BOARDLOCK PCB MOUNT RECEPTACLE, 2 PIN, STRAIGHT FLANGE, ATM SERIES</td> </tr> <tr> <td colspan="2">PROCESS SPECIFICATIONS:</td> <td colspan="2">SCALE: NONE</td> <td colspan="2">SIZE: B C-</td> <td>REVISION: A2</td> </tr> <tr> <td colspan="2">NEXT ASSY:</td> <td colspan="2">TYPE: ATM15-2P-BMXX</td> <td colspan="2">DWG NO: ATM15-2P-BMXX</td> <td>SHEET 1 OF 1</td> </tr> </tbody> </table>							QUANTITY	MATERIALS LIST						UNLESS OTHERWISE SPECIFIED							1) All dimensions are in metric (mm).							2) Tolerances are as follows:							1 PL DEC ±0.30 Fractions ±1/64							2 PL DEC ±0.15 Angles ±1°							3 PL DEC ±0.08							3) Note reference =							DRAWN: SULEN ZHANG		DATE: 15JUN18		<p>Sine Systems - www.amphenol-sine.com 44724 Morley Drive Clinton Township, MI 48036</p>			CHECKED: ORION LI		DATE: 15JUN18		ENGINEER:		APPROVAL: TOMMY XIE		MATERIAL SPECIFICATIONS:		DATE: 15JUN18		CUSTOMER:		THIS DRAWING IS SUPPLIED FOR INFORMATION ONLY. DESIGN FEATURES, SPECIFICATIONS AND PERFORMANCE DATA SHOWN HEREON ARE THE PROPERTY OF THE AMPHENOL CORPORATION. NO RIGHTS OF REPRODUCTION ARE IMPLIED. ALL DIMENSIONS ARE SUBJECT TO NORMAL MANUFACTURING VARIATIONS.		BOARDLOCK PCB MOUNT RECEPTACLE, 2 PIN, STRAIGHT FLANGE, ATM SERIES			PROCESS SPECIFICATIONS:		SCALE: NONE		SIZE: B C-		REVISION: A2	NEXT ASSY:		TYPE: ATM15-2P-BMXX		DWG NO: ATM15-2P-BMXX		SHEET 1 OF 1
QUANTITY	MATERIALS LIST																																																																																																					
UNLESS OTHERWISE SPECIFIED																																																																																																						
1) All dimensions are in metric (mm).																																																																																																						
2) Tolerances are as follows:																																																																																																						
1 PL DEC ±0.30 Fractions ±1/64																																																																																																						
2 PL DEC ±0.15 Angles ±1°																																																																																																						
3 PL DEC ±0.08																																																																																																						
3) Note reference =																																																																																																						
DRAWN: SULEN ZHANG		DATE: 15JUN18		<p>Sine Systems - www.amphenol-sine.com 44724 Morley Drive Clinton Township, MI 48036</p>																																																																																																		
CHECKED: ORION LI		DATE: 15JUN18																																																																																																				
ENGINEER:		APPROVAL: TOMMY XIE																																																																																																				
MATERIAL SPECIFICATIONS:		DATE: 15JUN18																																																																																																				
CUSTOMER:		THIS DRAWING IS SUPPLIED FOR INFORMATION ONLY. DESIGN FEATURES, SPECIFICATIONS AND PERFORMANCE DATA SHOWN HEREON ARE THE PROPERTY OF THE AMPHENOL CORPORATION. NO RIGHTS OF REPRODUCTION ARE IMPLIED. ALL DIMENSIONS ARE SUBJECT TO NORMAL MANUFACTURING VARIATIONS.		BOARDLOCK PCB MOUNT RECEPTACLE, 2 PIN, STRAIGHT FLANGE, ATM SERIES																																																																																																		
PROCESS SPECIFICATIONS:		SCALE: NONE		SIZE: B C-		REVISION: A2																																																																																																
NEXT ASSY:		TYPE: ATM15-2P-BMXX		DWG NO: ATM15-2P-BMXX		SHEET 1 OF 1																																																																																																

TITLE: PCB MOUNT RECEPTACLE, 2PIN, STRAIGHT FLANGE, ATM SERIES
DWG NO: ATM15-2P-BMXX
REV: A2
SH: 1
OF: 1