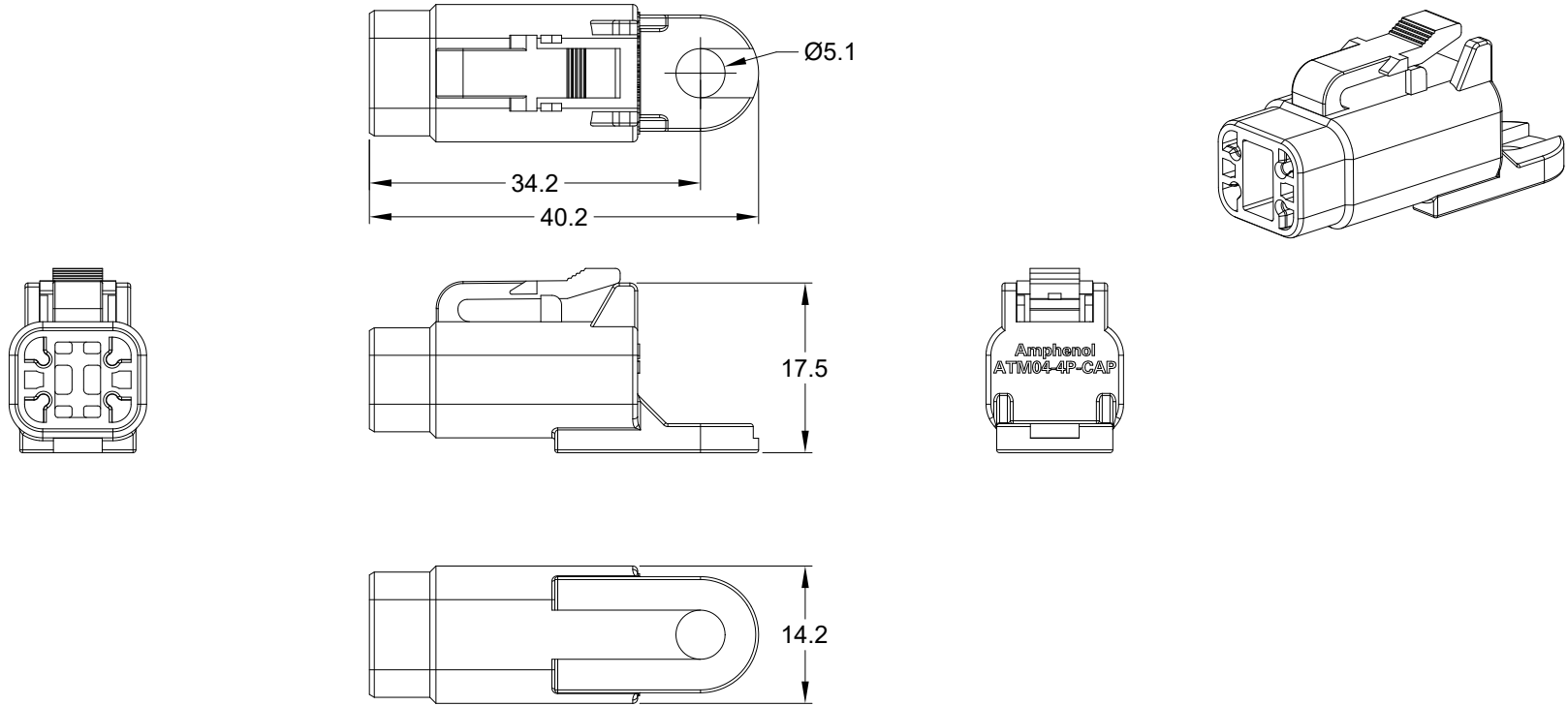


REVISIONS					
REV	ECO	DESCRIPTION	DATE	BY	APPR
A1	--	RELEASE NEW PRODUCT	01-SEP-20	SEVEN	TOMMY



NOTES: UNLESS OTHERWISE SPECIFIED

1. MATERIAL: THERMOPLASTIC, COLOR: GREY
2. RoHS COMPLIANT
3. MOISTURE RESISTANCE: IP68 (1M OF WATER FOR A PERIOD OF 24 HOURS , MATED CONDITION)
4. TEMPERATURE RANGE: -55°C~125°C
5. USE WITH CONNECTORS ATM04-4P* (* = MODIFICATIONS AND/OR COLORS)
6. ALL DIMENSIONS ARE FOR REFERENCE USE ONLY.

ATM04-4P-CAP		DESCRIPTION		ITEM
PART NUMBER		DESCRIPTION		ITEM
QUANTITY	MATERIALS LIST			
UNLESS OTHERWISE SPECIFIED 1) All dimensions are in metric(mm). 2) Tolerances are as follows: 1 PL DEC ±0.30 Fractions ±1/64 2 PL DEC ±0.15 Angles ±1° 3 PL DEC ±0.08 3) Note reference =		SIGNATURES DATE DRAWN: SEVEN.MAO 01SEP20 CHECKED: ORION.LI 02SEP20 ENGINEER: APPROVAL: TOMMY.XIE 02SEP20 CUSTOMER:		<div style="text-align: center;"> <h1>Amphenol</h1> <p>Sine Systems - www.amphenol-sine.com 44724 Morley Drive Clinton Township, MI 48036</p> </div>
MATERIAL SPECIFICATIONS: PROCESS SPECIFICATIONS: NEXT ASSY:		THIS DRAWING IS SUPPLIED FOR INFORMATION ONLY. DESIGN FEATURES, SPECIFICATIONS AND PERFORMANCE DATA SHOWN HEREON ARE THE PROPERTY OF THE AMPHENOL CORPORATION. NO RIGHTS OF REPRODUCTION ARE IMPLIED. ALL DIMENSIONS ARE SUBJECT TO NORMAL MANUFACTURING VARIATIONS.		
		SIZE A	TYPE C-	DWG NO: ATM04-4P-CAP
		SCALE: NONE	REVISION A1	
		SHEET 1 OF 1		