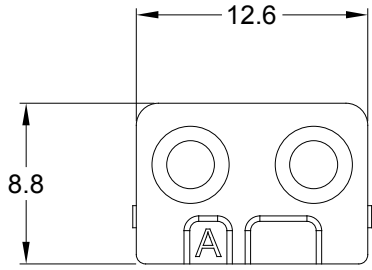
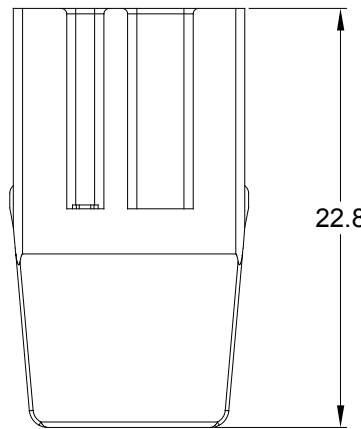


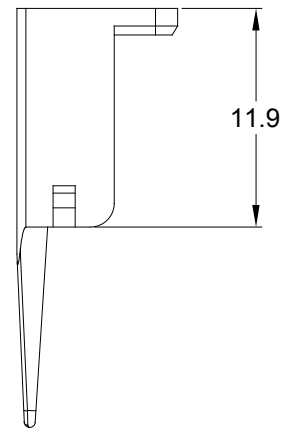
REVISIONS					
REV	ECO	DESCRIPTION	DATE	BY	APPR
A1	--	RELEASE DRAWING	05/DEC/19	SULLEN	TOMMY



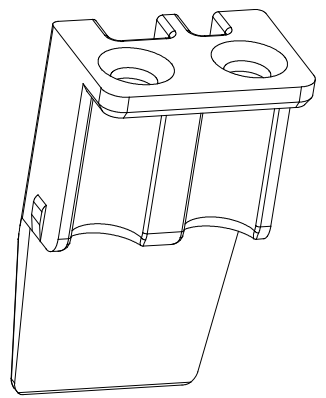
8.8



22.8



11.9



- NOTES: UNLESS OTHERWISE SPECIFIED
- MATERIAL: THERMOPLASTIC; COLOR: SEE SHEET 2
  - RoHS COMPLIANT
  - CAVITIES: 2
  - KEYED: SEE SHEET 2
  - USE WITH CONNECTORS ATP06-2S\*  
(\* = MODIFICATIONS AND COLORS)
  - ALL DIMENSIONS ARE FOR REFERENCE USE ONLY.

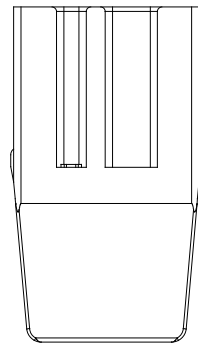
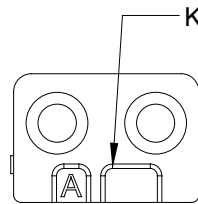
	SEE SHEET 2		
QUANTITY	PART NUMBER	DESCRIPTION	ITEM

**MATERIALS LIST**

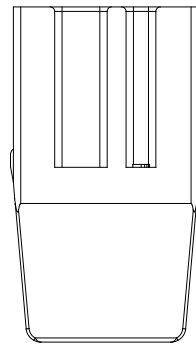
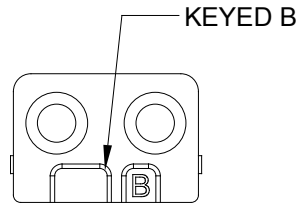
UNLESS OTHERWISE SPECIFIED 1) All dimensions are in metric(mm). 2) Tolerances are as follows: 1 PL DEC ±0.30    Fractions ±1/64 2 PL DEC ±0.15    Angles ±1° 3 PL DEC ±0.08 3) Note reference =		SIGNATURES    DATE DRAWN: SULLEN.ZHANG    05/DEC/19 CHECKED: ORION.LI    05/DEC/19 ENGINEER: APPROVAL: TOMMY.XIE    05/DEC/19 CUSTOMER:	<h1 style="text-align: center;">Amphenol</h1> <p style="text-align: center;">Sine Systems - www.amphenol-sine.com 44724 Morley Drive Clinton Township, MI 48036</p>
MATERIAL SPECIFICATIONS:  PROCESS SPECIFICATIONS:	THIS DRAWING IS SUPPLIED FOR INFORMATION ONLY. DESIGN FEATURES, SPECIFICATIONS AND PERFORMANCE DATA SHOWN HEREON ARE THE PROPERTY OF THE AMPHENOL CORPORATION. NO RIGHTS OF REPRODUCTION ARE IMPLIED. ALL DIMENSIONS ARE SUBJECT TO NORMAL MANUFACTURING VARIATIONS.	S-WEDGELOCK,2 POS,ATP SERIES	
NEXT ASSY:	SIZE: <b>A</b> TYPE: <b>C-</b> DWG NO: <b>AWP-2SX</b> REVISION: <b>A1</b>	SCALE: <b>NONE</b>	SHEET <b>1</b> OF <b>2</b>

REVISIONS

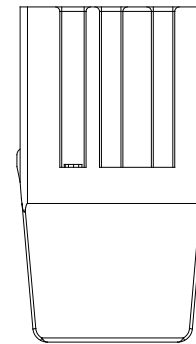
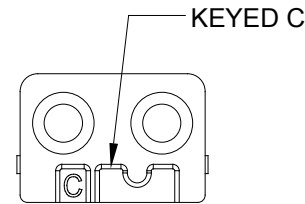
REV	ECO	DESCRIPTION	DATE	BY	APPR
A1	--	RELEASE DRAWING	05/DEC/19	SULLEN	TOMMY



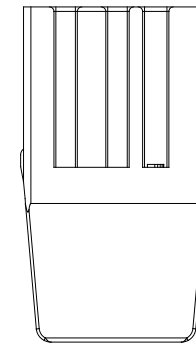
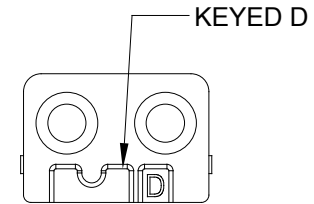
AWP-2SA  
GRAY



AWP-2SB  
BLACK



AWP-2SC  
GREEN



AWP-2SD  
BROWN

QUANTITY	AWP-2SX	DESCRIPTION	ITEM
----------	---------	-------------	------

MATERIALS LIST

UNLESS OTHERWISE SPECIFIED

- 1) All dimensions are in metric(mm).
- 2) Tolerances are as follows:  
 1 PL DEC ±0.30     Fractions ±1/64  
 2 PL DEC ±0.15     Angles ±1°  
 3 PL DEC ±0.08

3) Note reference =

MATERIAL SPECIFICATIONS:

PROCESS SPECIFICATIONS:

NEXT ASSY:

SIGNATURES	DATE
DRAWN: SULLEN.ZHANG	05/DEC/19
CHECKED: ORION.LI	05/DEC/19
ENGINEER:	
APPROVAL: TOMMY.XIE	05/DEC/19
CUSTOMER:	

THIS DRAWING IS SUPPLIED FOR INFORMATION ONLY. DESIGN FEATURES, SPECIFICATIONS AND PERFORMANCE DATA SHOWN HEREON ARE THE PROPERTY OF THE AMPHENOL CORPORATION. NO RIGHTS OF REPRODUCTION ARE IMPLIED. ALL DIMENSIONS ARE SUBJECT TO NORMAL MANUFACTURING VARIATIONS.

# Amphenol

Sine Systems - www.amphenol-sine.com  
 44724 Morley Drive  
 Clinton Township, MI 48036

S-WEDGELOCK,2 POS,ATP SERIES

SIZE	TYPE	DWG NO:	REVISION
A	C-	AWP-2SX	A1

SCALE: NONE     SHEET 2 OF 2