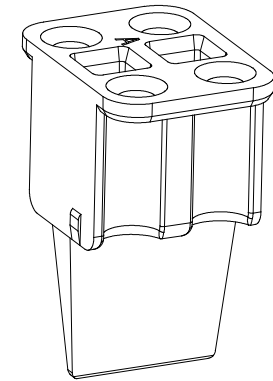
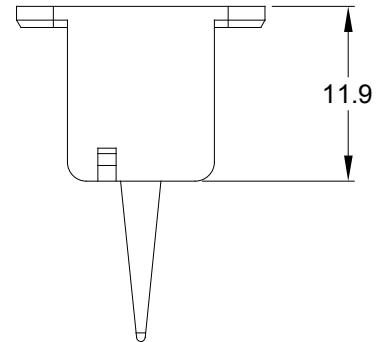
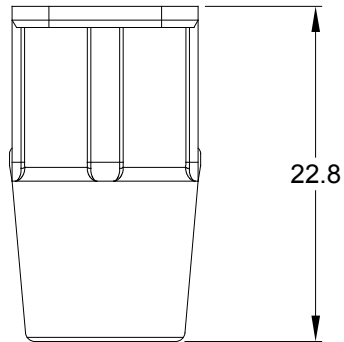
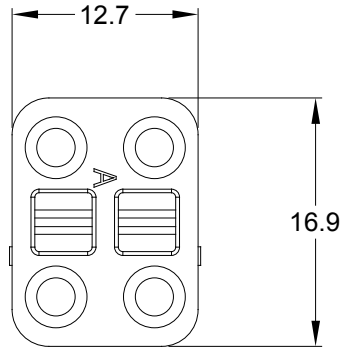


REVISIONS

REV	ECO	DESCRIPTION	DATE	BY	APPR
A1	--	RELEASE DRAWING	05/DEC/19	SULLEN	TOMMY



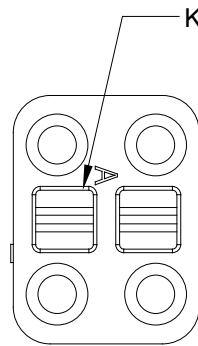
NOTES: UNLESS OTHERWISE SPECIFIED

1. MATERIAL: THERMOPLASTIC; COLOR: SEE SHEET 2
2. RoHS COMPLIANT
3. CAVITIES: 4
4. KEYED: SEE SHEET 2
5. USE WITH CONNECTORS ATP06-4S\*  
(\* = MODIFICATIONS AND COLORS)
6. ALL DIMENSIONS ARE FOR REFERENCE USE ONLY.

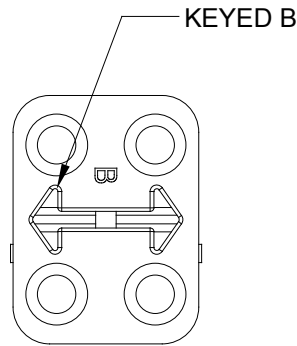
QUANTITY	SEE SHEET 2	DESCRIPTION	ITEM
<b>MATERIALS LIST</b>			
<p>UNLESS OTHERWISE SPECIFIED</p> <p>1) All dimensions are in metric(mm).</p> <p>2) Tolerances are as follows:                      1 PL DEC ±0.30     Fractions ±1/64                      2 PL DEC ±0.15     Angles ±1°                      3 PL DEC ±0.08</p> <p>3) Note reference = </p>		<p>SIGNATURES     DATE</p> <p>DRAWN: SULLEN.ZHANG     05/DEC/19</p> <p>CHECKED: ORION.LI     05/DEC/19</p> <p>ENGINEER:</p> <p>APPROVAL: TOMMY.XIE     05/DEC/19</p> <p>CUSTOMER:</p>	<p style="font-size: 24pt; font-weight: bold; text-align: center;">Amphenol</p> <p style="text-align: center;">Sine Systems - www.amphenol-sine.com                      44724 Morley Drive                      Clinton Township, MI 48036</p>
<p>MATERIAL SPECIFICATIONS:</p>		<p><b>S-WEDGELOCK,4 POS,ATP SERIES</b></p>	
<p>PROCESS SPECIFICATIONS:</p>		<p>THIS DRAWING IS SUPPLIED FOR INFORMATION ONLY. DESIGN FEATURES, SPECIFICATIONS AND PERFORMANCE DATA SHOWN HEREON ARE THE PROPERTY OF THE AMPHENOL CORPORATION. NO RIGHTS OF REPRODUCTION ARE IMPLIED. ALL DIMENSIONS ARE SUBJECT TO NORMAL MANUFACTURING VARIATIONS.</p>	
<p>NEXT ASSY:</p>		<p>SIZE: <b>A</b>     TYPE: <b>C-</b>     DWG NO: <b>AWP-4SX</b>     REVISION: <b>A1</b></p>	
		<p>SCALE: <b>NONE</b></p>	<p>SHEET <b>1</b> OF <b>2</b></p>

REVISIONS

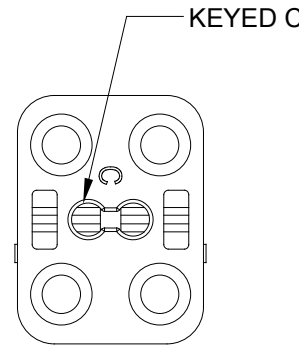
REV	ECO	DESCRIPTION	DATE	BY	APPR
A1	--	RELEASE DRAWING	05/DEC/19	SULLEN	TOMMY



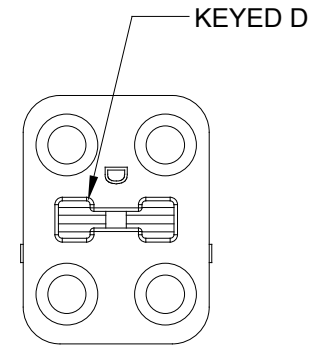
AWP-4SA  
GRAY



AWP-4SB  
BLACK



AWP-4SC  
GREEN



AWP-4SD  
BROWN

QUANTITY	AWP-4SX PART NUMBER	DESCRIPTION	ITEM
----------	------------------------	-------------	------

MATERIALS LIST

UNLESS OTHERWISE SPECIFIED

- 1) All dimensions are in metric(mm).
- 2) Tolerances are as follows:  

1 PL DEC ±0.30	Fractions ±1/64
2 PL DEC ±0.15	Angles ±1°
3 PL DEC ±0.08	

3) Note reference =

MATERIAL SPECIFICATIONS:

PROCESS SPECIFICATIONS:

NEXT ASSY:

SIGNATURES	DATE
DRAWN: SULLEN.ZHANG	05/DEC/19
CHECKED: ORION.LI	05/DEC/19
ENGINEER:	
APPROVAL: TOMMY.XIE	05/DEC/19
CUSTOMER:	

THIS DRAWING IS SUPPLIED FOR INFORMATION ONLY. DESIGN FEATURES, SPECIFICATIONS AND PERFORMANCE DATA SHOWN HEREON ARE THE PROPERTY OF THE AMPHENOL CORPORATION. NO RIGHTS OF REPRODUCTION ARE IMPLIED. ALL DIMENSIONS ARE SUBJECT TO NORMAL MANUFACTURING VARIATIONS.

# Amphenol

Sine Systems - [www.amphenol-sine.com](http://www.amphenol-sine.com)  
 44724 Morley Drive  
 Clinton Township, MI 48036

S-WEDGELOCK,4 POS,ATP SERIES

SIZE <b>A</b>	TYPE <b>C-</b>	DWG NO: <b>AWP-4SX</b>	REVISION <b>A1</b>
SCALE: NONE		SHEET <b>2</b> OF <b>2</b>	