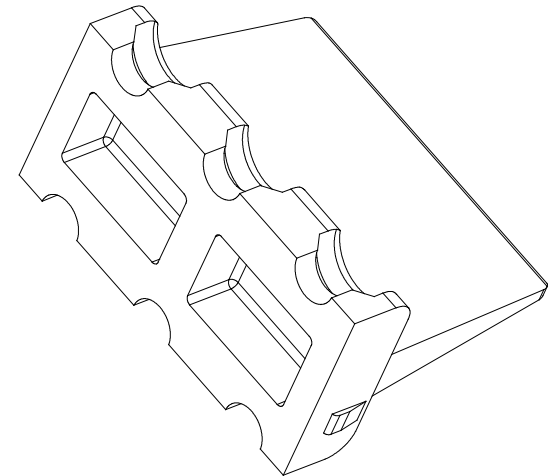
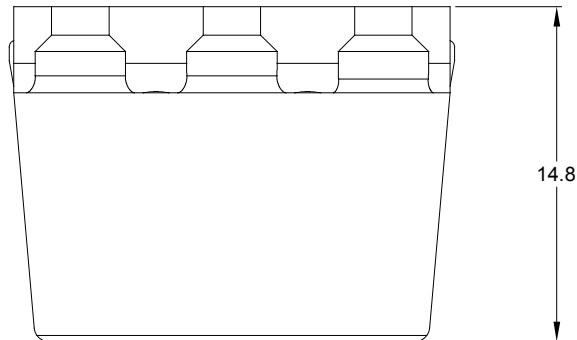
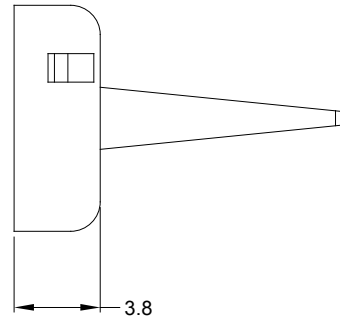
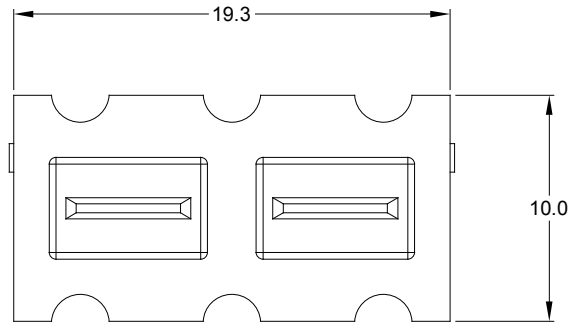


REVISIONS

REV	ECO	DESCRIPTION	DATE	BY	APPR
A1	--	RELEASE DRAWING	24/AUG/19	PETER	TOMMY



NOTES: UNLESS OTHERWISE SPECIFIED

- 1. MATERIAL: THERMOPLASTIC; COLOR: ORANGE
- 2. RoHS COMPLIANT
- 3. CAVITIES: 6
- 4 KEYED: N/A
- 5. USE WITH CONNECTORS ATP04-6P*
(* = MODIFICATIONS AND COLORS)
- 6. ALL DIMENSIONS ARE FOR REFERENCE USE ONLY.

QUANTITY	AWP-6P	DESCRIPTION	ITEM
----------	--------	-------------	------

MATERIALS LIST

<p>UNLESS OTHERWISE SPECIFIED</p> <p>1) All dimensions are in metric(mm).</p> <p>2) Tolerances are as follows: 1 PL DEC ±0.30 Fractions ±1/64 2 PL DEC ±0.15 Angles ±1° 3 PL DEC ±0.08</p> <p>3) Note reference = </p>		<p>SIGNATURES DATE</p> <p>DRAWN: PETER.YANG 24/AUG/19</p> <p>CHECKED: ORION.LI 24/AUG/19</p> <p>ENGINEER:</p> <p>APPROVAL: TOMMY.XIE 24/AUG/19</p> <p>CUSTOMER:</p>		<p>Amphenol</p> <p>Sine Systems - www.amphenol-sine.com 44724 Morley Drive Clinton Township, MI 48036</p>	
<p>MATERIAL SPECIFICATIONS:</p>		<p>THIS DRAWING IS SUPPLIED FOR INFORMATION ONLY. DESIGN FEATURES, SPECIFICATIONS AND PERFORMANCE DATA SHOWN HEREON ARE THE PROPERTY OF THE AMPHENOL CORPORATION. NO RIGHTS OF REPRODUCTION ARE IMPLIED. ALL DIMENSIONS ARE SUBJECT TO NORMAL MANUFACTURING VARIATIONS.</p>			
<p>PROCESS SPECIFICATIONS:</p>		<p>SIZE TYPE DWG NO: REVISION</p> <p>A C- AWP-6P A1</p>		<p>P-WEDGELOCK, 6 POSITION, ATP SERIES</p>	
<p>NEXT ASSY:</p>		<p>SCALE: NONE</p>		<p>SHEET 1 OF 1</p>	