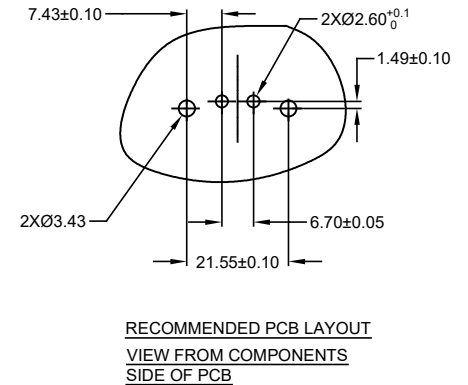
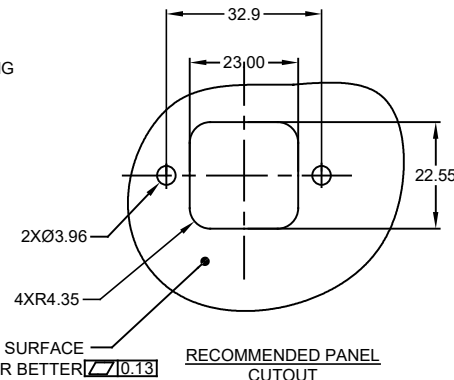
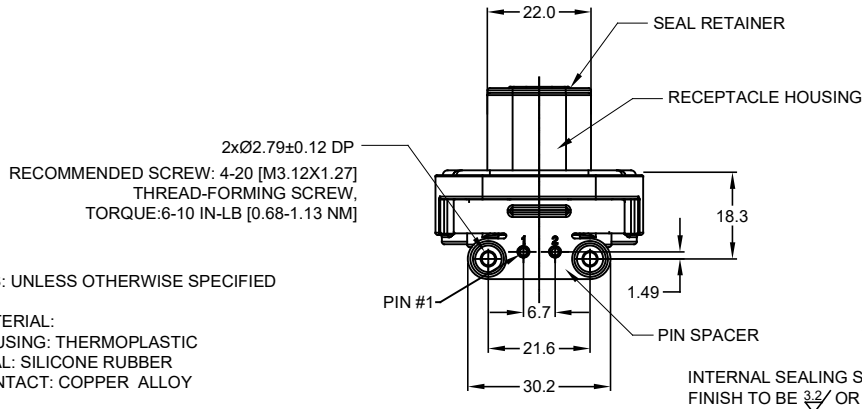
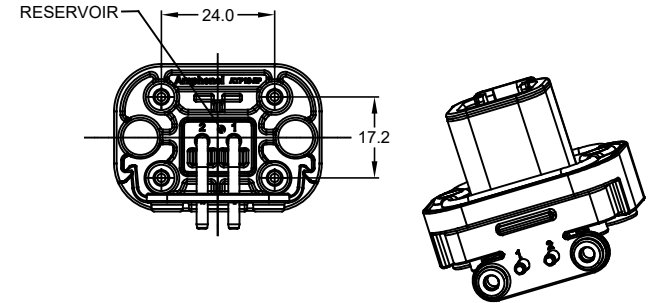
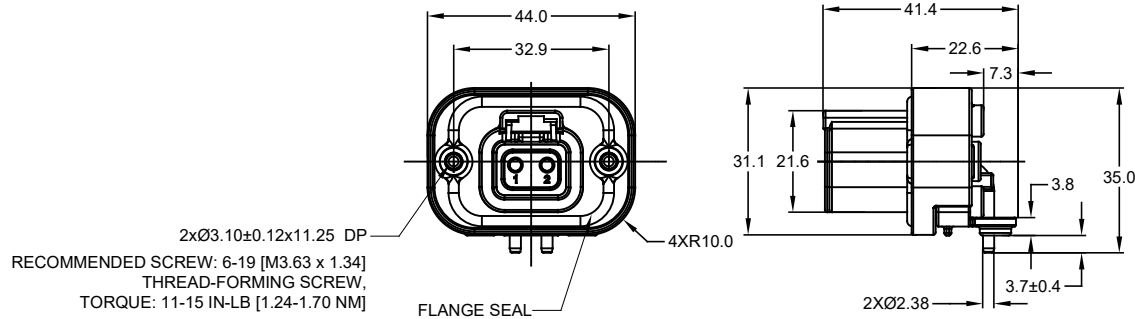


REVISIONS					
REV	ECO	DESCRIPTION	DATE	BY	APPR
A2	-	ADDED NOTE 6	10JUL20	JAH	DH



NOTES: UNLESS OTHERWISE SPECIFIED

- MATERIAL:
HOUSING: THERMOPLASTIC
SEAL: SILICONE RUBBER
CONTACT: COPPER ALLOY
- MODIFICATIONS: FLANGE; PCB MOUNT RIGHT ANGLE
- SPECIFICATIONS:
3.1 CURRENT RATING: 25 AMPS
3.2 OPERATING TEMPERATURE: -55°C TO +125°C
3.3 DIELECTRIC WITHSTANDING VOLTAGE: LESS THAN 2 MILLIAMPS CURRENT LEAKAGE @ 1500 VOLTS AC.
3.4 INSULATION RESISTANCE: 1000 MEGOHMS MIN @ 25°C
3.5 MOISTURE RESISTANCE: IP67 (MATED CONDITION)
3.6 MATING CYCLE DURABILITY: 100 CYCLES
3.7 RoHS COMPLIANT
- MATING PART: ATP06-2S*
(* = ALL MODIFICATIONS)
- ALL DIMENSIONS ARE FOR REFERENCE USE ONLY
- POTTED CONNECTORS SPECIFIED FOR UP TO 5 P.S.I. APPLICATIONS.

ATP13-2P-BM0XXXX VARIANTS			
CONTACT PLATING	POTTING OR NOT IN RESERVOIR	COLOR	PART NUMBER
GOLD	NO POTTING	GRAY	ATP13-2P-BM01GRY
GOLD	POTTING	GRAY	ATP13-2P-BM02GRY
TIN	NO POTTING	GRAY	ATP13-2P-BM03GRY
TIN	POTTING	GRAY	ATP13-2P-BM04GRY
GOLD	NO POTTING	BLACK	ATP13-2P-BM01BLK
GOLD	POTTING	BLACK	ATP13-2P-BM02BLK
TIN	NO POTTING	BLACK	ATP13-2P-BM03BLK
TIN	POTTING	BLACK	ATP13-2P-BM04BLK

ATP13-2P-BM0XXXX		PART NUMBER		DESCRIPTION		ITEM																																																				
<table border="1"> <thead> <tr> <th>QUANTITY</th> <th colspan="5">MATERIALS LIST</th> </tr> </thead> <tbody> <tr> <td rowspan="4">UNLESS OTHERWISE SPECIFIED 1) All dimensions are in metric (mm). 2) Tolerances are as follows: 1 PL DEC ±0.30 Fractions ±1/64 2 PL DEC ±0.15 3 PL DEC ±0.08 3) Note reference = </td> <td>DRAWN:</td> <td>PETER YANG</td> <td>DATE:</td> <td>14MAY19</td> <td colspan="2" rowspan="4"> <h1>Amphenol</h1> <p>Sine Systems - www.amphenol-sine.com 44724 Morley Drive Clinton Township, MI 48036</p> </td> </tr> <tr> <td>CHECKED:</td> <td>ORION LI</td> <td>DATE:</td> <td>14MAY19</td> </tr> <tr> <td>ENGINEER:</td> <td></td> <td>DATE:</td> <td></td> </tr> <tr> <td>APPROVAL:</td> <td>TOMMY XIE</td> <td>DATE:</td> <td>14MAY19</td> </tr> <tr> <td>MATERIAL SPECIFICATIONS:</td> <td colspan="5">CUSTOMER:</td> <td rowspan="2"> BOARDLOCK PCB MOUNT RECEPTACLE, 2 PIN, RA FLANGE, ATP SERIES </td> </tr> <tr> <td>PROCESS SPECIFICATIONS:</td> <td colspan="5">THIS DRAWING IS SUPPLIED FOR INFORMATION ONLY. DESIGN FEATURES, SPECIFICATIONS AND PERFORMANCE DATA SHOWN HEREON ARE THE PROPERTY OF THE AMPHENOL CORPORATION. NO RIGHTS OF REPRODUCTION ARE IMPLIED. ALL DIMENSIONS ARE SUBJECT TO NORMAL MANUFACTURING VARIATIONS.</td> </tr> <tr> <td>NEXT ASSY:</td> <td>SIZE:</td> <td>B</td> <td>TYPE:</td> <td>C-</td> <td>DWG NO.:</td> <td>ATP13-2P-BM0XXXX</td> </tr> <tr> <td></td> <td>SCALE:</td> <td>NONE</td> <td>REVISION:</td> <td>A2</td> <td>SHEET:</td> <td>1 OF 1</td> </tr> </tbody> </table>							QUANTITY	MATERIALS LIST					UNLESS OTHERWISE SPECIFIED 1) All dimensions are in metric (mm). 2) Tolerances are as follows: 1 PL DEC ±0.30 Fractions ±1/64 2 PL DEC ±0.15 3 PL DEC ±0.08 3) Note reference =	DRAWN:	PETER YANG	DATE:	14MAY19	<h1>Amphenol</h1> <p>Sine Systems - www.amphenol-sine.com 44724 Morley Drive Clinton Township, MI 48036</p>		CHECKED:	ORION LI	DATE:	14MAY19	ENGINEER:		DATE:		APPROVAL:	TOMMY XIE	DATE:	14MAY19	MATERIAL SPECIFICATIONS:	CUSTOMER:					BOARDLOCK PCB MOUNT RECEPTACLE, 2 PIN, RA FLANGE, ATP SERIES	PROCESS SPECIFICATIONS:	THIS DRAWING IS SUPPLIED FOR INFORMATION ONLY. DESIGN FEATURES, SPECIFICATIONS AND PERFORMANCE DATA SHOWN HEREON ARE THE PROPERTY OF THE AMPHENOL CORPORATION. NO RIGHTS OF REPRODUCTION ARE IMPLIED. ALL DIMENSIONS ARE SUBJECT TO NORMAL MANUFACTURING VARIATIONS.					NEXT ASSY:	SIZE:	B	TYPE:	C-	DWG NO.:	ATP13-2P-BM0XXXX		SCALE:	NONE	REVISION:	A2	SHEET:	1 OF 1
QUANTITY	MATERIALS LIST																																																									
UNLESS OTHERWISE SPECIFIED 1) All dimensions are in metric (mm). 2) Tolerances are as follows: 1 PL DEC ±0.30 Fractions ±1/64 2 PL DEC ±0.15 3 PL DEC ±0.08 3) Note reference =	DRAWN:	PETER YANG	DATE:	14MAY19	<h1>Amphenol</h1> <p>Sine Systems - www.amphenol-sine.com 44724 Morley Drive Clinton Township, MI 48036</p>																																																					
	CHECKED:	ORION LI	DATE:	14MAY19																																																						
	ENGINEER:		DATE:																																																							
	APPROVAL:	TOMMY XIE	DATE:	14MAY19																																																						
MATERIAL SPECIFICATIONS:	CUSTOMER:					BOARDLOCK PCB MOUNT RECEPTACLE, 2 PIN, RA FLANGE, ATP SERIES																																																				
PROCESS SPECIFICATIONS:	THIS DRAWING IS SUPPLIED FOR INFORMATION ONLY. DESIGN FEATURES, SPECIFICATIONS AND PERFORMANCE DATA SHOWN HEREON ARE THE PROPERTY OF THE AMPHENOL CORPORATION. NO RIGHTS OF REPRODUCTION ARE IMPLIED. ALL DIMENSIONS ARE SUBJECT TO NORMAL MANUFACTURING VARIATIONS.																																																									
NEXT ASSY:	SIZE:	B	TYPE:	C-	DWG NO.:	ATP13-2P-BM0XXXX																																																				
	SCALE:	NONE	REVISION:	A2	SHEET:	1 OF 1																																																				

TITLE: BOARDLOCK PCB MOUNT RECEPTACLE 2PIN RA FLANGE ATP SERIES
DWG NO: ATP13-2P-BM0XXXX
REV: A2
SH: 1
OF: 1