

C-LVRCM26SCRX

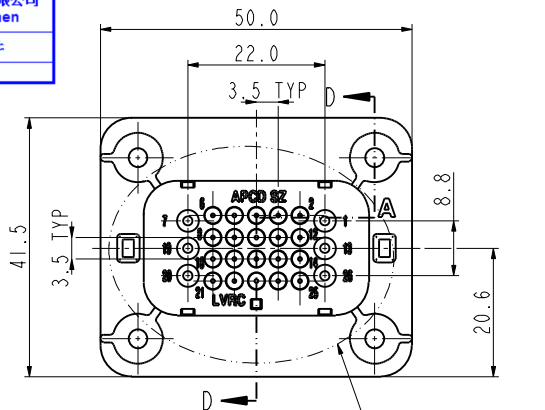
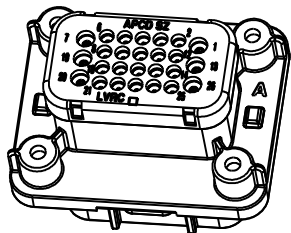
安费诺精密连接器(深圳)有限公司  
Amphenol PCD Shenzhen

受控文件

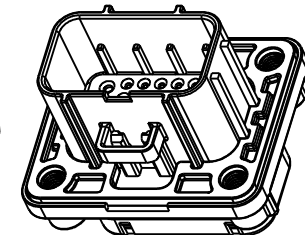
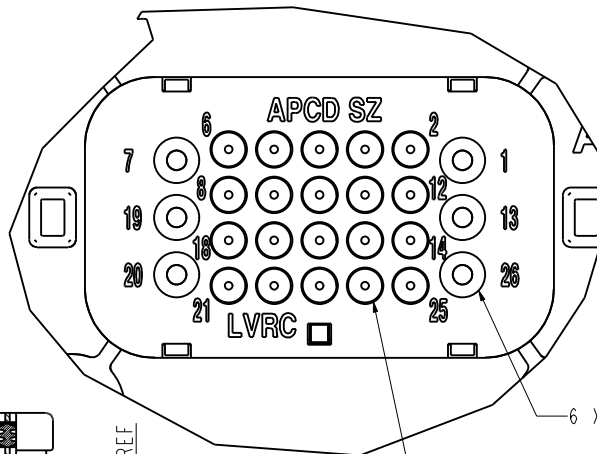
2018年10月11日

Amphenol PCD SZ  
ORIGINAL  
PDF Format  
R&D

REV	ECN	DESCRIPTION	DATE	MODIFIED
2	RO205	SEAL OF SOCKET, SR BLACK TO RED	July-27-18	
3	RO218	ADD THE DEPTH SIZE OF M4 SCREW TEETH	Aug-14-18	
A	C3003	RELEASE		



SEE DETAIL A



PART NUMBERING SCHEME

LVRCM 26 S C R X

SERIES NUMBER

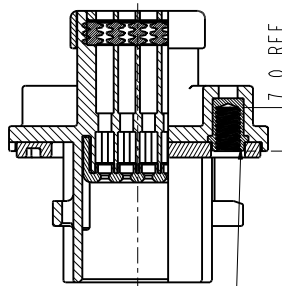
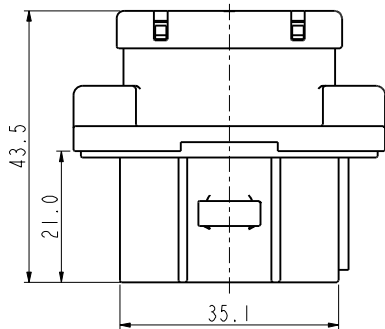
POLES

TYPE: SOCKET

CRAMP CONTACT

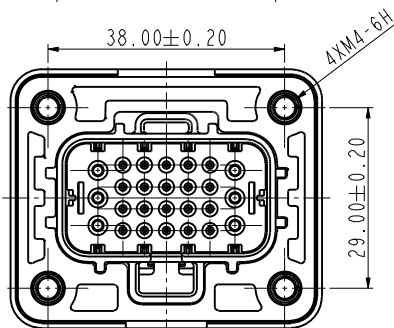
REAL

KEY OPTION: A, B, C



SECTION D-D

MOLDING COPPER ALLOY NUT



DETAIL A  
SCALE 5:2

✦: IS CRITICAL CHARACTERISTIC SYMBOL, ⊙: IS IMPORTANT CHARACTERISTIC SYMBOL.

TECHNICAL DATA		SPECIAL CHARACTERISTICS SYMBOL
VOLTAGE RATING	250VAC/300VDC	✦
CURRENT RATING	POWER: 13A (18~14AWG) SIGNAL: 5A (22A~18AWG)	✦
WIRE RANGE	POWER: WIRE INSULATION OD: 2.2~3.0MM; SIGNAL: WIRE INSULATION OD: 1.35~2.5MM.	⊙
WATERPROOF (MATED CONDITION)	IP 67	✦
OPERATION TEMP.	-40~+125°C	⊙
MAX MATING CYCLES	100 TIMES	⊙
M4 TORQUE FORCE	12~15Kgf.cm	⊙

NOTES:

1. MATE CONTACT AND SEAL SEE BELOW TABLE, CONTACT AND SEAL SHOULD BE ORDERED SEPARATELY.

2. MATE CONNECTOR P/N: LVRCF26PCX.

✦ 3. ROHS COMPLIANCE.

USED WITH CONTACT AND SEAL TYPE

TERMINAL TYPE	CONTACT P/N	SEAL P/N
POWER	LVRC16SC01S	LVRC16LP
SIGNAL	LVRC20SC01S	LVRC20LP

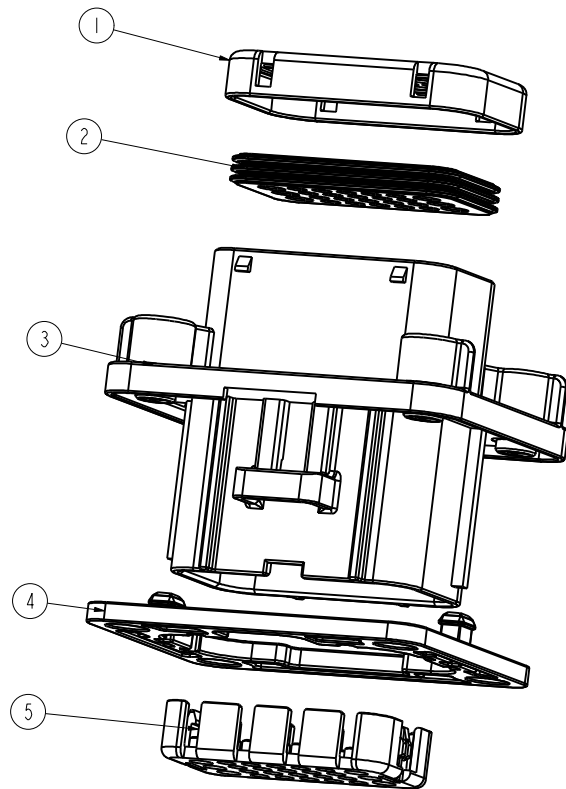
DIMENSIONS	TOLERANCES	PROJECTION	TITLE
ANSI Y14.5M UNITS: MM Pro/E FILE	.X ±0.5 .XX ±0.05 ANGLES ±3.0°		Amphenol Pcd Shenzhen
ORIGINAL	THIS DOCUMENT CONTAINS PROPRIETARY INFORMATION WHICH IS THE CONFIDENTIAL PROPERTY OF AMPHENOL PCD SHENZHEN		SOCKET OF 26 PIN CONNECTOR REAR MOUNTING STYLE
			SIZE: A3 DWG NO.: C-LVRCM26SCRX REV: A

ENGR LUIK.PENG Jan-22-18	CHKD <i>Jack</i>	APPD <i>Derick</i>	CODE: 58982	SCALE: 65	SHEET 1 OF 2
--------------------------------	---------------------	-----------------------	-------------	-----------	--------------

C-LVRCM26SCRX

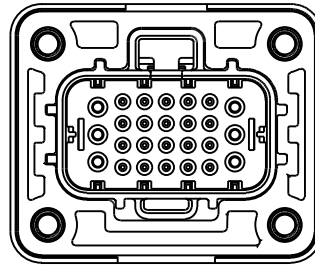
C-LVRCM26SCRX

C-LVRCM26SCRX

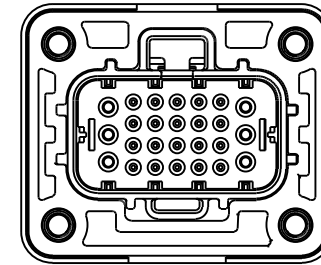
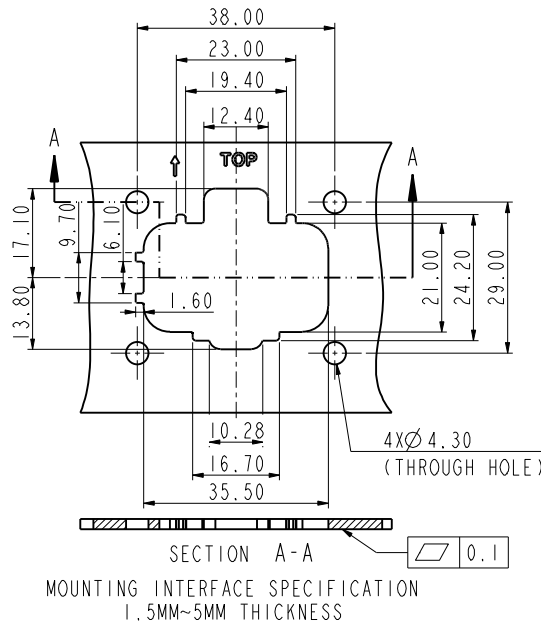


LVRCM26SCRX (X=A,B,C)	5	INSERT HOUSING, PA66 GRAY	1
	4	SEAL OF SOCKET, SR RED	1
	3	SOCKET HOUSING, PA66 BLACK, KEY C	1
		SOCKET HOUSING, PA66 BLACK, KEY B	1
		SOCKET HOUSING, PA66 BLACK, KEY A	1
2	RUBBER, SR RED	1	
1	COVER, PA66 BLACK	1	
P/N	ITEM	DESCRIPTION	QTY

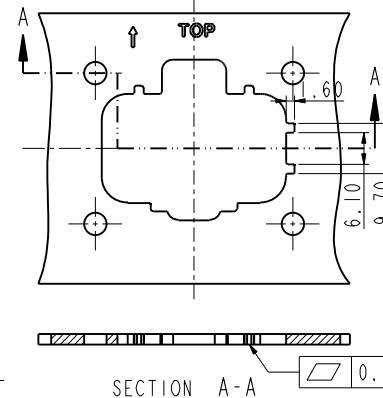
C-LVRCM26SCRX



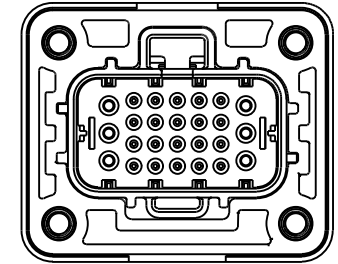
KEY A  
LVRCM26SCRA  
MATE CONNECTOR P/N: LVRCF26PCA.



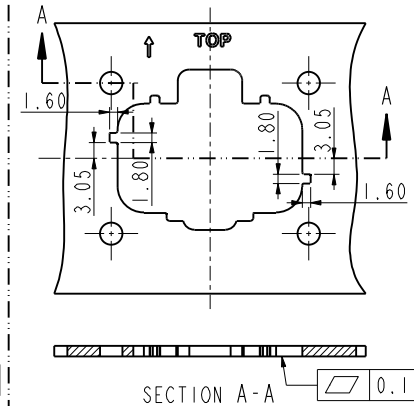
KEY B  
LVRCM26SCRB  
MATE CONNECTOR P/N: LVRCF26PCB.



MOUNTING INTERFACE SPECIFICATION  
1.5MM~5MM THICKNESS



KEY C  
LVRCM26SCRC  
MATE CONNECTOR P/N: LVRCF26PCC.



MOUNTING INTERFACE SPECIFICATION  
1.5MM~5MM THICKNESS

安费诺精密连接器(深圳)有限公司  
Amphenol PCD Shenzhen

受控文件

2018年10月11日

C-LVRCM26SCRX

SIZE <b>A3</b>	DWG NO. <b>C-LVRCM26SCRX</b>	REV <b>A</b>
CODE: 58982	SCALE: 6:5	SHEET 2 OF 2