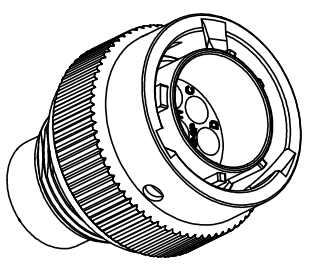
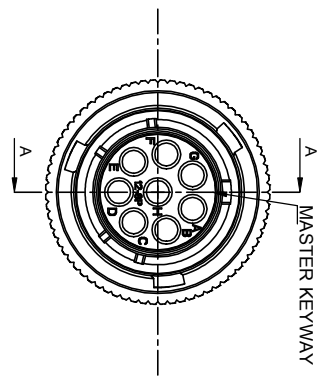
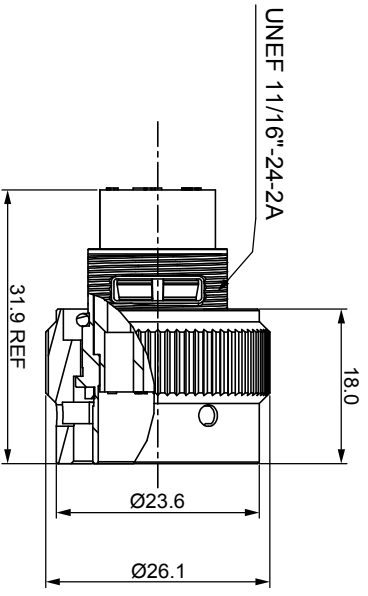


REVISIONS				
REV	ECO	DESCRIPTION	DATE	BY APPR
A1	-	RELEASED DRAWING	Oct-17-2018	Flan Tommy



KEY POS	PART NUMBER	
	-40°C~-105°C	-40°C~-125°C
N	RT06128P-NHSS	RT06128P-NH03SS
W	RT06128P-WHSS	RT06128P-WH03SS
X	RT06128P-XHSS	RT06128P-XH03SS
Y	RT06128P-YHSS	RT06128P-YH03SS
Z	RT06128P-ZHSS	RT06128P-ZH03SS

- NOTES :
- MATERIAL :
SHELL : ZINC ALLOY , NICKEL PLATED.
INSERT : THERMOPLASTIC , UL94 V-0.
COUPLING NUT:AL ALLOY, NICKEL PLATED.
SEAL GASKET : SILICONE RUBBER.
O-RING : NBR/SILICONE RUBBER.
 - SPECIFICATIONS :
2.1 RATED CURRENT : 13A (MAX).
2.2 RATED VOLTAGE : 300V (AC/DC).
2.3 OPERATING TEMPERATURE : SEE CHART.
2.4 DIELECTRIC WITHSTANDING VOLTAGE : LESS THAN 2 MILLAMPS CURRENT LEAKAGE@2000 VOLTS AC.
2.5 INSULATION RESISTANCE : 5000 MEGOHMS MIN.
2.6 IP-CLASS : IP67 AND IP69K.
2.7 MATING CYCLES DURABILITY : 500 CYCLES MIN.
2.8 ROHS COMPLIANT.
 - SUITABLE CONTACTS : 16# CONTACTS.
 - ALL DIMENSIONS ARE FOR REFERENCE USE ONLY.

QUANTITY	SEE PART NUMBER CHART	PART NUMBER	DESCRIPTION	ITEM
MATERIALS LIST				
UNLESS OTHERWISE SPECIFIED		DRAWN: Flan DATE: 06-17-2018		
1) All dimensions are in millimeters.		CHECKED: Tommy DATE: 06-17-2018		
2) Dimensions are to be held to ±0.15 mm unless otherwise specified.		ENGINEER:		
3) HLT, DEC 2018		APPROVAL: Tommy DATE: 06-17-2018		
MATERIAL SPECIFICATIONS:		CUSTOMER:		
PROCESS SPECIFICATIONS:		THIS DRAWING IS SUPPLIED FOR INFORMATION ONLY. DESIGN FEATURES, DIMENSIONS, AND MATERIALS ARE SUBJECT TO CHANGE WITHOUT NOTICE. THE APPEARANCE, COORDINATION, NO RIGHTS OR WARRANTIES ARE GRANTED. DIMENSIONS ARE SUBJECT TO NORMAL MANUFACTURING VARIATIONS.		
NEXT ASSY:		SCALE: NONE		
SIZE		TYPE	DWG NO.	REVISION
B		C-	RT06128P-YHSS	A1

Amphenol
Sine Systems - www.amphenol-sine.com
44724 Morley Drive
Clinton Township, MI 48036

ECO-MATE PLUG SIZE 12.8POS.PIN