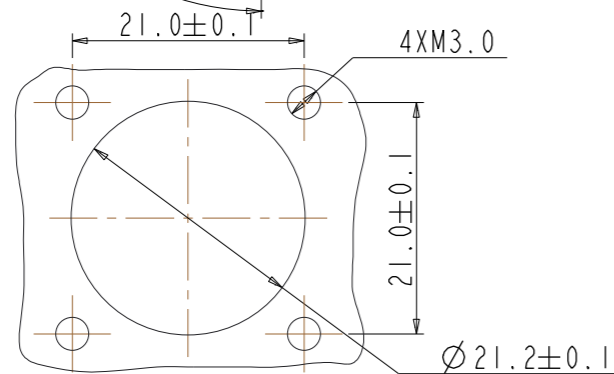
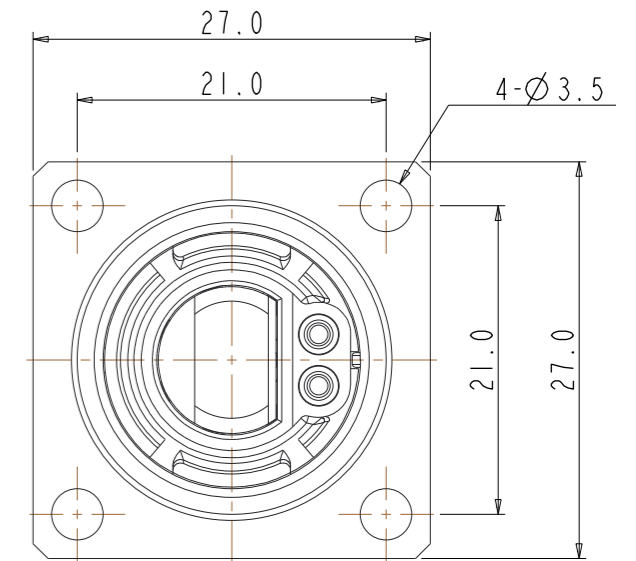
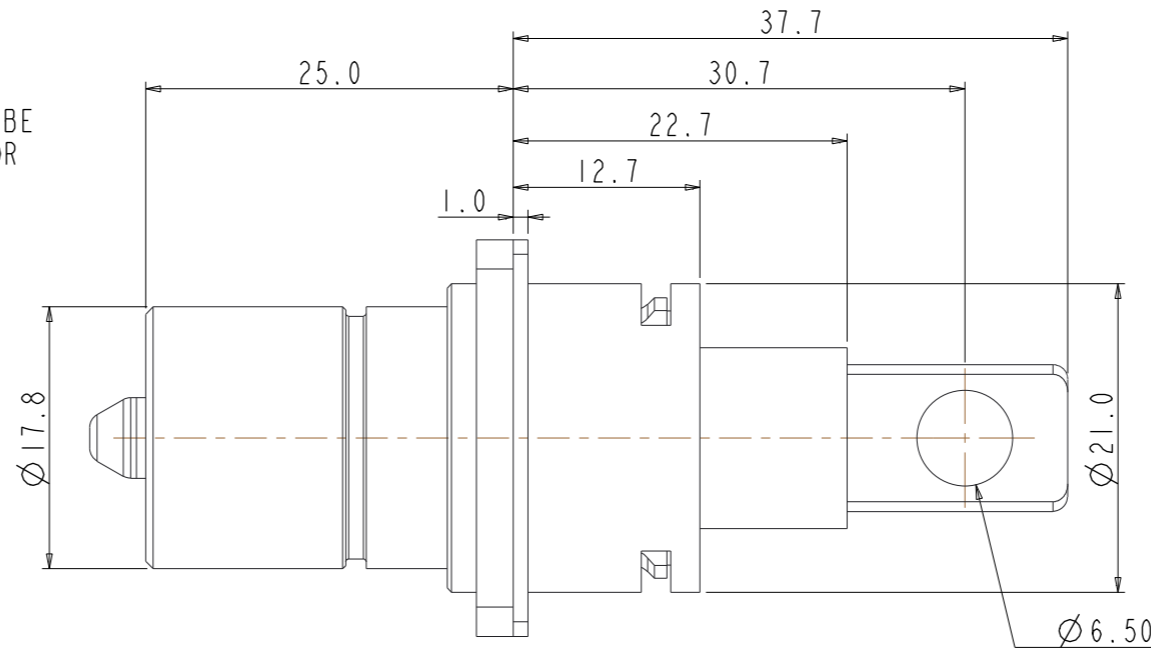
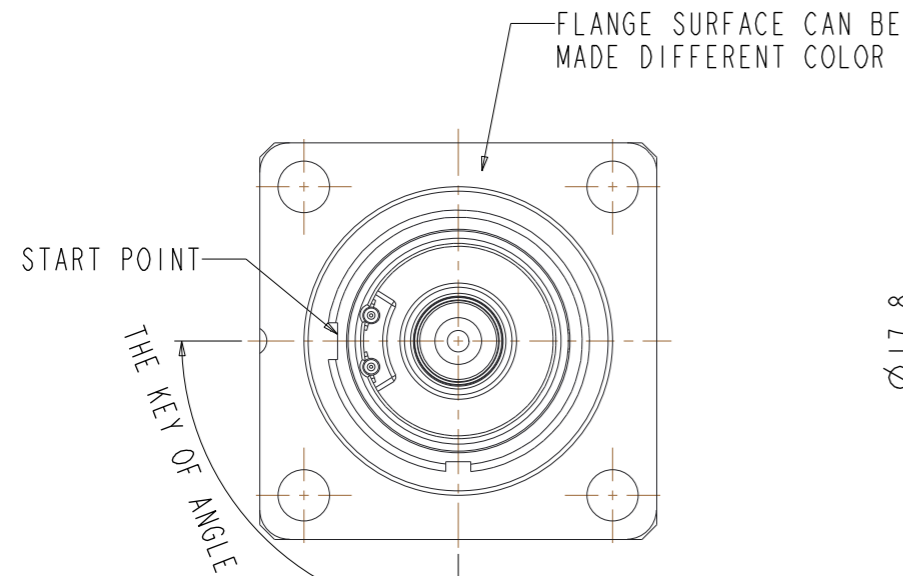
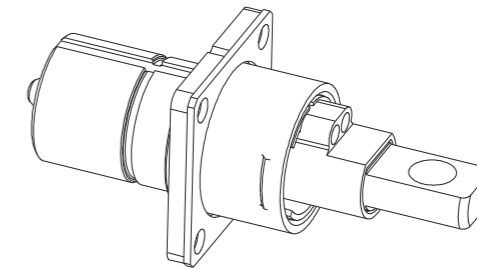
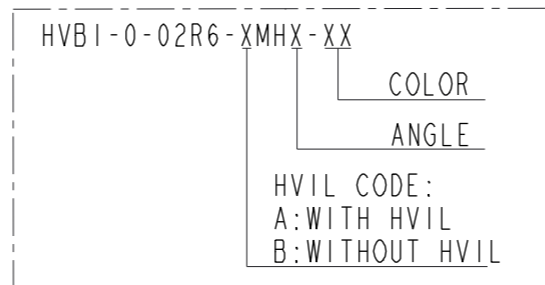


REV	ECN	DESCRIPTION	DATE	MODIFIED
D		UPDATE	2016.06.07	ROY.QU

# CUSTOMER DRAWING



PANEL CUT-OUT REFERENCE



HVBI-0-02R6-XMHX-XX

HVBI-0-02R6-XMHX-XX

TECHNICAL DATA	
CURRENT RATE(25MM <sup>2</sup> CABLE)	UP TO 120A
CURRENT RATE(20MM <sup>2</sup> CABLE)	UP TO 100A
CURRENT RATE(16MM <sup>2</sup> CABLE)	UP TO 80A
UL RATING VOLTAGE (OVERVOLTAGE CATEGORY II POLLUTION DEGREE 2)	1000V DC
OPERATING TEMPERATURE	-40~125°C
DIELECTRIC WITHSTANDING VOLTAGE	3000V AC
INSULATION RESISTANCE	2000MΩ MIN. 25°C, NO CABLE
DURABILITY	200 CYCLES
SHIELDING	--
WATERPROOF(MATED CONDITION)	IP 67
PROTECTION LEVEL	IP2XB
AMBIENT TEMPERATURE	-40~70°C

WIHT HVIL		
P/N	DESCRIPTION	
	KEY OF ANGLE	FLANGE SURFACE COLOR
HVBI-0-02R6-AMHA-RD	30°	RED
HVBI-0-02R6-AMHB-BK	60°	BLACK
HVBI-0-02R6-AMHC-YL	90°	YELLOW
HVBI-0-02R6-AMHD-GR	120°	GREEN
HVBI-0-02R6-AMHE-BL	150°	BLUE
HVBI-0-02R6-AMHF-PU	180°	PURPLE

WIHTOUT HVIL		
P/N	DESCRIPTION	
	KEY OF ANGLE	FLANGE SURFACE COLOR
HVBI-0-02R6-BMHA-RD	30°	RED
HVBI-0-02R6-BMHB-BK	60°	BLACK
HVBI-0-02R6-BMHC-YL	90°	YELLOW
HVBI-0-02R6-BMHD-GR	120°	GREEN
HVBI-0-02R6-BMHE-BL	150°	BLUE
HVBI-0-02R6-BMHF-PU	180°	PURPLE

DIMENSIONS	TOLERANCES	PROJECTION	TITLE			
ANSI Y14.5M UNITS: MM Pro/E FILE	X ±0.3 .XX ±0.10 ANGLES ±0.5°		Amphenol Pcd Shenzhen			
ORIGINAL NOT FOR CUSTOMER DISTRIBUTION	THIS DOCUMENT CONTAINS PROPRIETARY INFORMATION WHICH IS THE CONFIDENTIAL PROPERTY OF AMPHENOL PCD SHENZHEN	ENGR ROY.QU 2016.06.07	HVBI-R6 RECEPTACLE			
			CHKD	SIZE A3	DWG NO. HVBI-0-02R6-XMHX-XX	REV D
			APPD	CODE: 58982	SCALE: 2:1	SHEET 1 OF 1