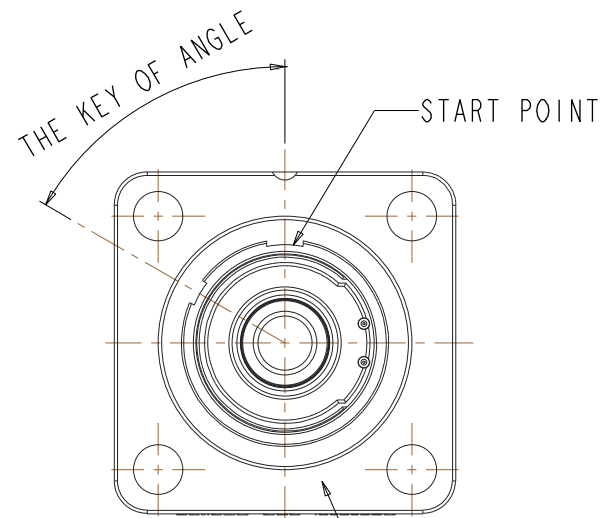


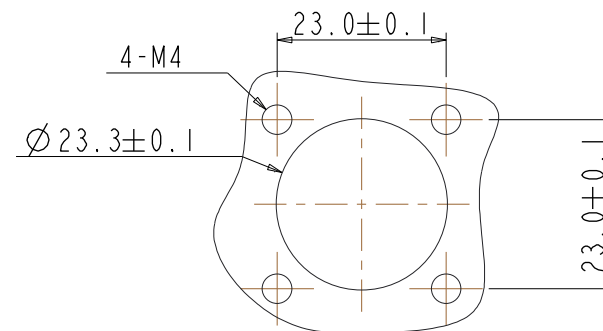
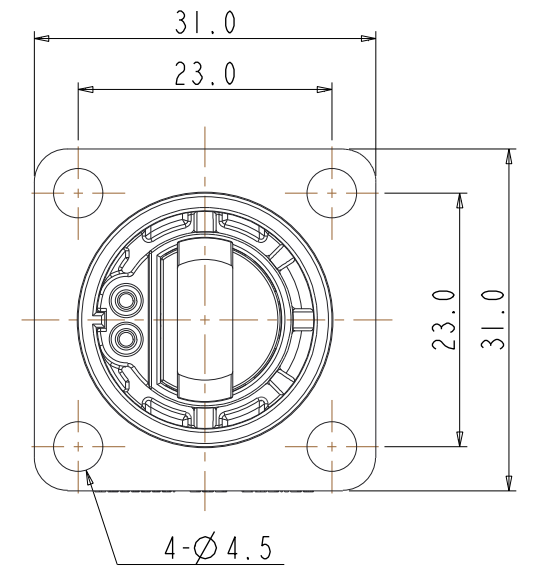
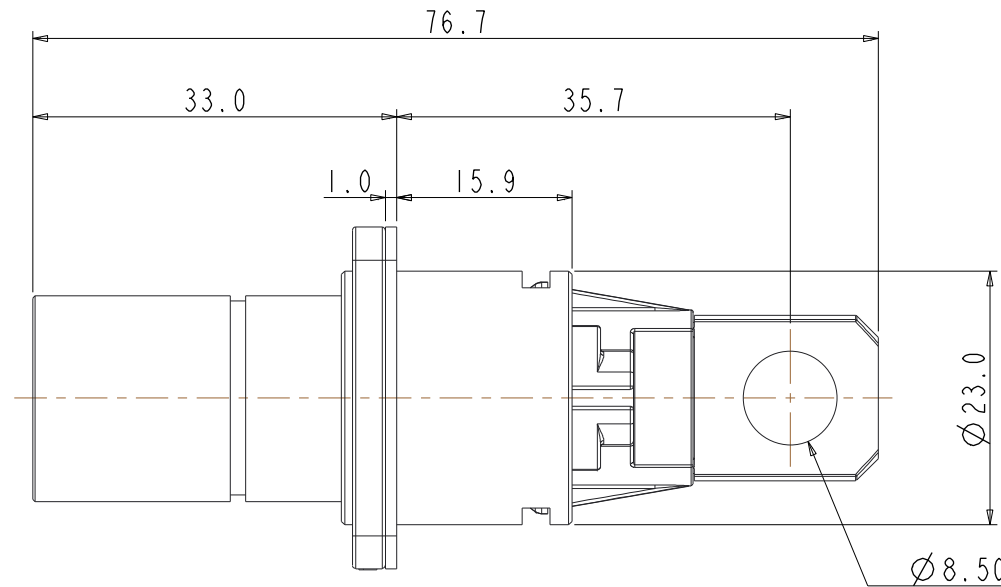
CUSTOMER DRAWING

HVBI-0-03R8-XMHX-XX

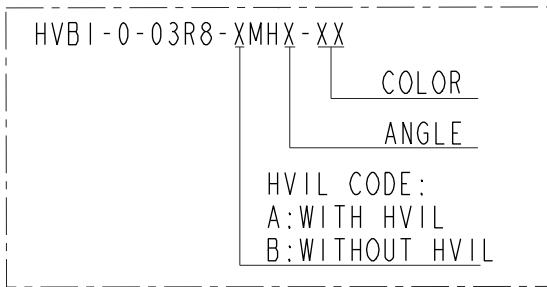
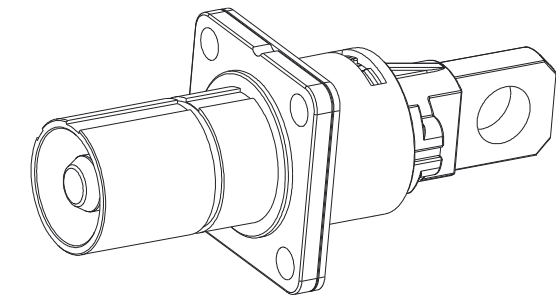
REV	ECN	DESCRIPTION	DATE	MODIFIED
3		PRE-RELEASE	2016.06.08	ROY.QU



FLANGE SURFACE CAN BE MADE DIFFERENT COLOR



PANEL CUT-OUT REFERENCE



HVBI-0-03R8-XMHX-XX

HVBI-0-03R8-XMHX-XX

TECHNICAL DATA	
CURRENT RATE(50MM ² CABLE)	UP TO 180A
CURRENT RATE(35MM ² CABLE)	UP TO 150A
UL RATING VOLTAGE (OVERVOLTAGE CATEGORY II POLLUTION DEGREE 2)	1000V DC
OPERATING TEMPERATURE	-40~125°C
DIELECTRIC WITHSTANDING VOLTAGE	3000V AC
INSULATION RESISTANCE	2000MΩ MIN. 25°C, NO CABLE
DURABILITY	200 CYCLES
SHIELDING	YES
WATERPROOF(MATED CONDITION)	IP 67
PROTECTION LEVEL	IP2XB
AMBIENT TEMPERATURE	-40~70°C

P/N	DESCRIPTION	
	KEY OF ANGLE	FLANGE SURFACE COLOR
HVBI-0-03R8-AMHA-RD	30°	RED
HVBI-0-03R8-AMHB-BK	60°	BLACK
HVBI-0-03R8-AMHC-YL	90°	YELLOW
HVBI-0-03R8-AMHD-GR	120°	GREEN
HVBI-0-03R8-AMHE-BL	150°	BLUE
HVBI-0-03R8-AMHF-PU	180°	PURPLE

P/N	DESCRIPTION	
	KEY OF ANGLE	FLANGE SURFACE COLOR
HVBI-0-03R8-BMHA-RD	30°	RED
HVBI-0-03R8-BMHB-BK	60°	BLACK
HVBI-0-03R8-BMHC-YL	90°	YELLOW
HVBI-0-03R8-BMHD-GR	120°	GREEN
HVBI-0-03R8-BMHE-BL	150°	BLUE
HVBI-0-03R8-BMHF-PU	180°	PURPLE

DIMENSIONS	TOLERANCES	PROJECTION	TITLE	
ANSI Y14.5M UNITS: MM Pro/E FILE	X ±0.3 XX ±0.20 ANGLES ±0.5°		Amphenol Pcd Shenzhen	
ORIGINAL NOT FOR CUSTOMER DISTRIBUTION	THIS DOCUMENT CONTAINS PROPRIETARY INFORMATION WHICH IS THE CONFIDENTIAL PROPERTY OF AMPHENOL PCD SHENZHEN		ENGR	ROY.QU 2016.06.08
			CHKD	
			APPD	
			SIZE	DWG NO.
			A3	HVBI-0-03R8-XMHX-XX
			REV	3
			CODE: 58982	SCALE: 2:1 SHEET 1 OF 1