

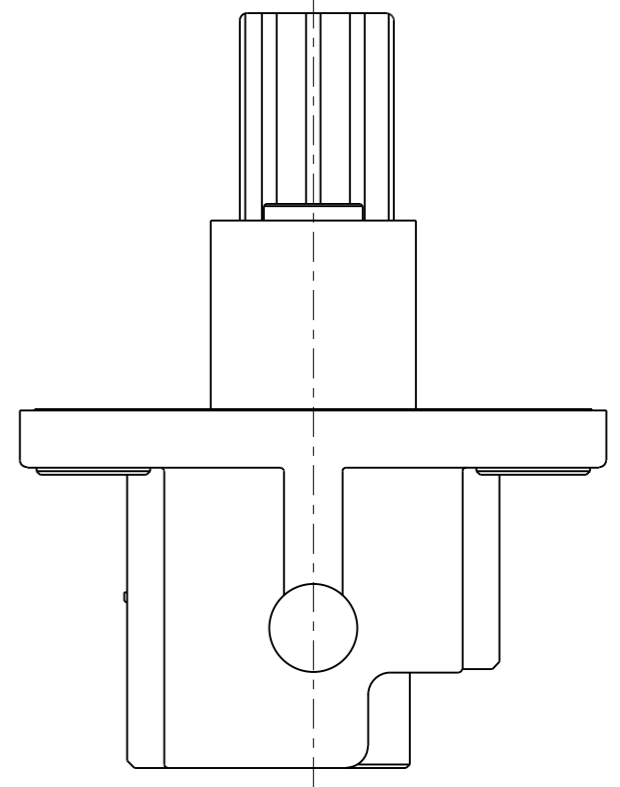
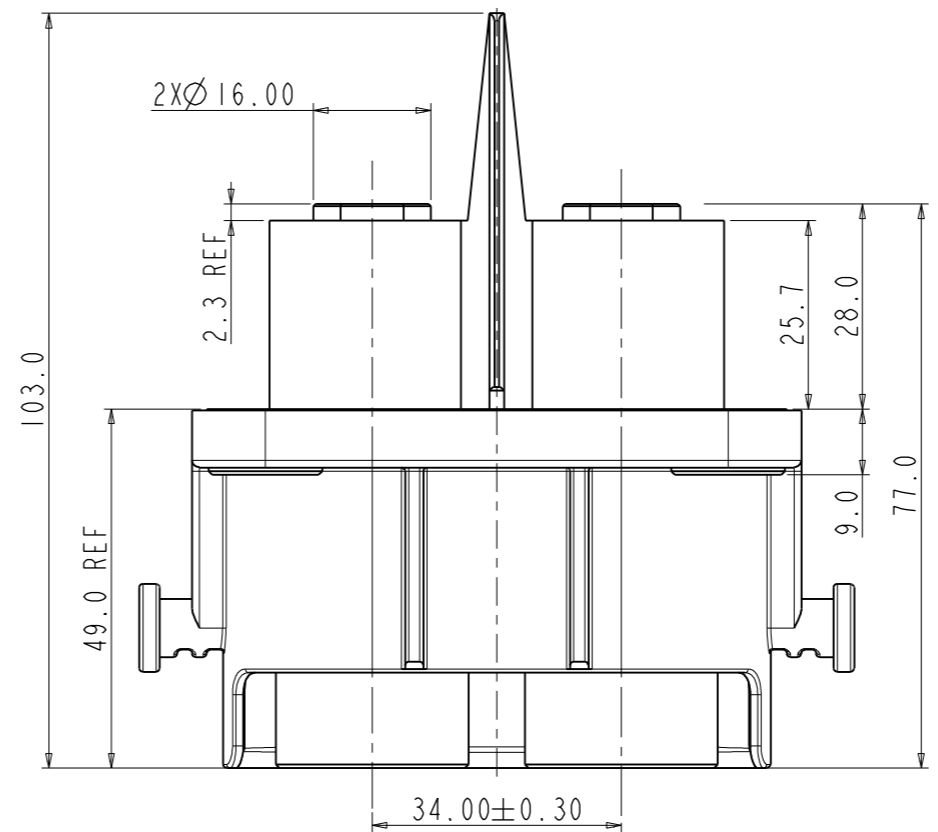
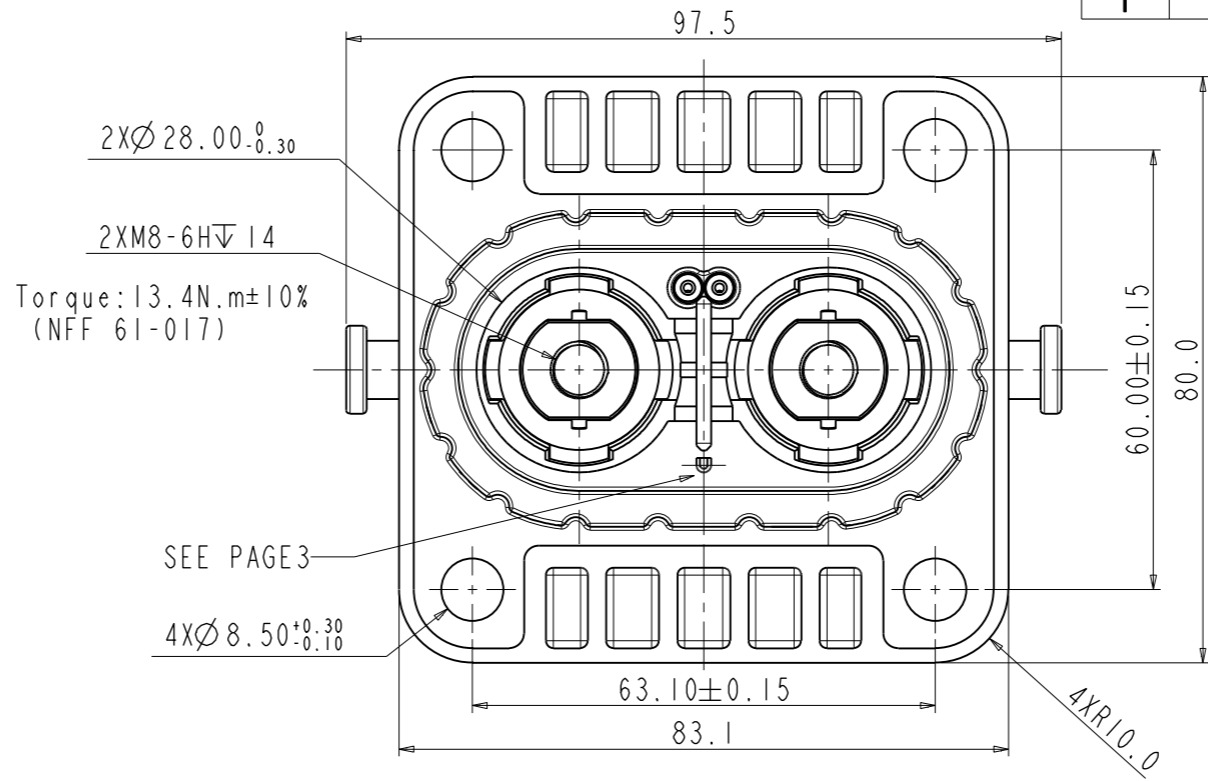
C-HVSL1400022XXD8S6

REV	ECN	DESCRIPTION	DATE	MODIFIED
1		RELEASE	Jan-21-21	Ray Rui

Amphenol PCD SZ
ORIGINAL
PDF Format
R&D

APPLICATION:
 POLLUTION DEGREE 2 / 污染等级 2
 OVERVOLTAGE CATEGORY II / 过电压类别 II
 INHOMOGENEOUS FIELD / 非均匀电场
 ALTITUDE NO MORE THAN 2000m / 海拔不高于 2000m

★ CRITICAL CHARACTERISTICS 关键特性
 ◎ IMPORTANT CHARACTERISTICS 重要特性

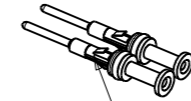
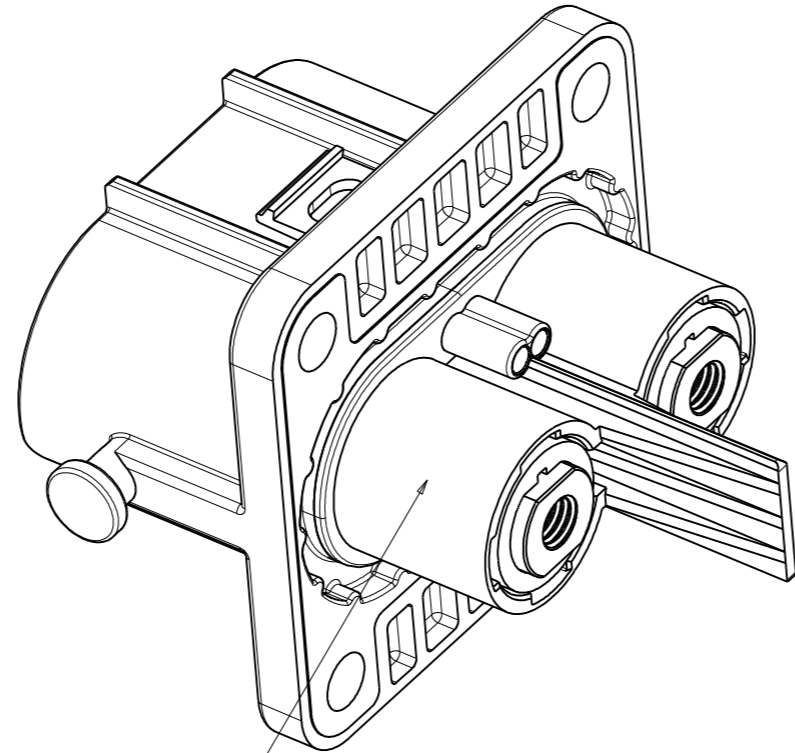


TECHNICAL DATA		
CURRENT RATE 120mm ² WIRE	430A	★
CURRENT RATE 95mm ² WIRE	370A	★
CURRENT RATE 70mm ² WIRE	250A	★
VOLTAGE RATE	1000V AC	★
OPERRATING TEMPERATURE	-40-125°C	NA
DIELECTRIC WITHSTANDING VOLTAGE	POWER PIN:3000V AC	★
	SIGNAL PIN:660V AC	
INSULATION RESISTANCE	>200MΩ(1000VDC)	★
DURABILITY	50 CYCLES	◎
SHIELDING	YES	NA
WATERPROOF (MATED CONDITION)	IP67 IP6K9K	★
CORROSION-PROOF GRADE(SALT FOG TEST)	96 HOURS	NA
AMBIENT TEMPERATURE	-40-70°C	NA
SIGNAL PIN CURRENT	5A	NA

C-HVSL1400022XXD8S6

C-HVSL1400022XXD8S6

DIMENSIONS	TOLERANCES	PROJECTION	TITLE	
ANSI Y14.5M UNITS: MM Pro/E FILE	.X ±0.5 .XX ±0.05 ANGLES ±2°		Amphenol PCD Shenzhen	
ORIGINAL	THIS DOCUMENT CONTAINS PROPRIETARY INFORMATION WHICH IS THE CONFIDENTIAL PROPERTY OF Amphenol PCD Shenzhen Co. Ltd Amphenol PCD Shenzhen Co. Ltd RESERVES THE RIGHT TO CLARIFY THIS DRAWING	ENGR Ray Rui	HVSL1400 SOCKET	
		CHKD APPD Roube.chen	Jan-21-21	SIZE A3
			REV 1	CODE: 58982
			SCALE: 1:1	SHEET 1 OF 4



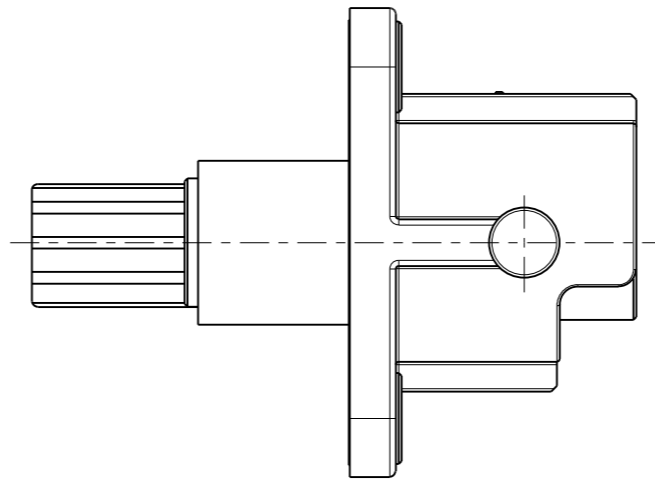
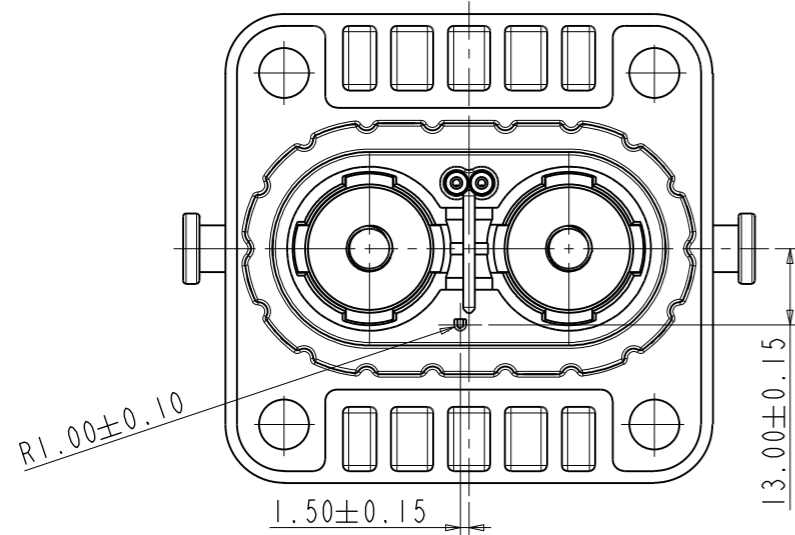
Inter Lock P/N:C420005523

HVSL1400 02 2 X X D8S6

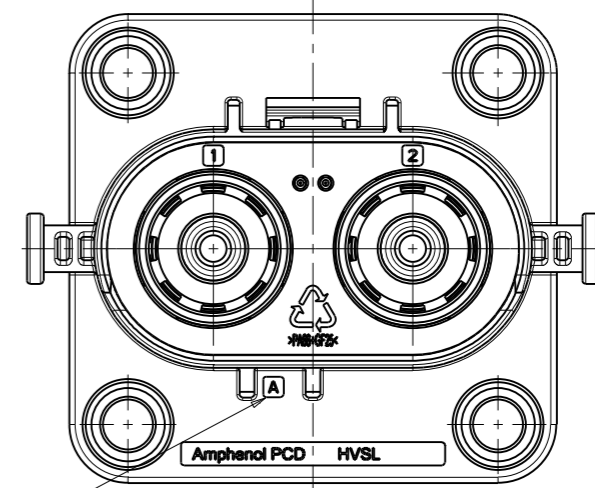
0	WITHOUT HVIL
1	WITH HVIL

A	A Key
B	B Key
C	C Key

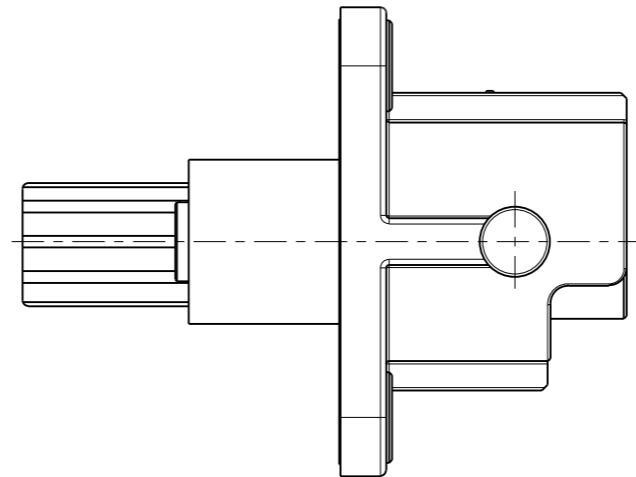
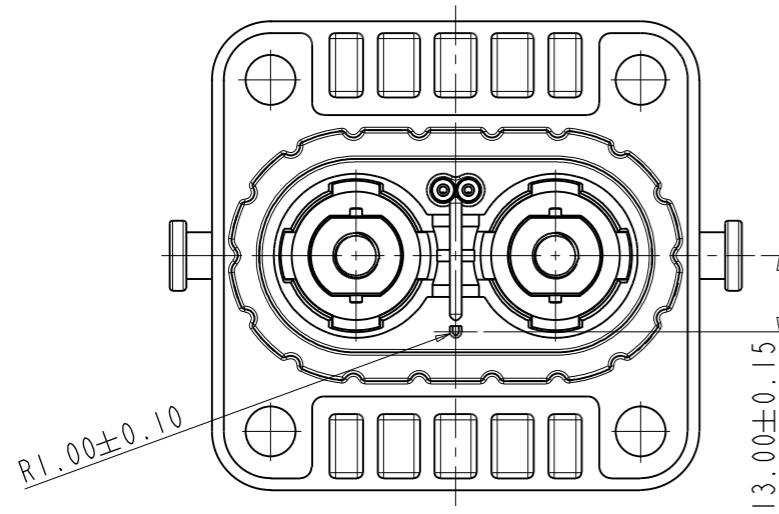
SIZE	DWG NO.	REV
A3	C-HVSL1400022XXD8S6	1
CODE: 58982	SCALE: 1:1	SHEET 2 OF 4



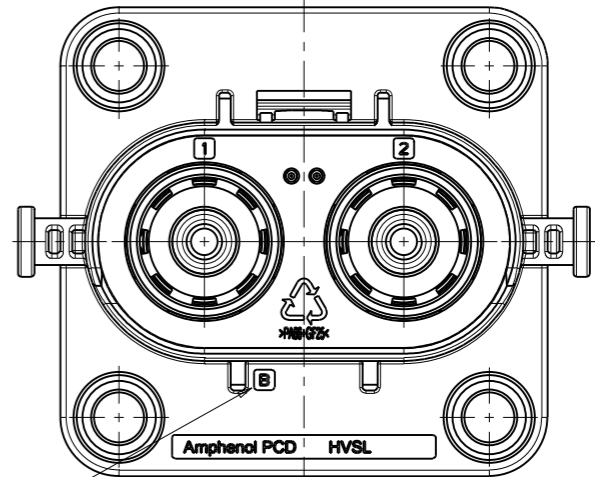
HVSL1400022AXD8S6



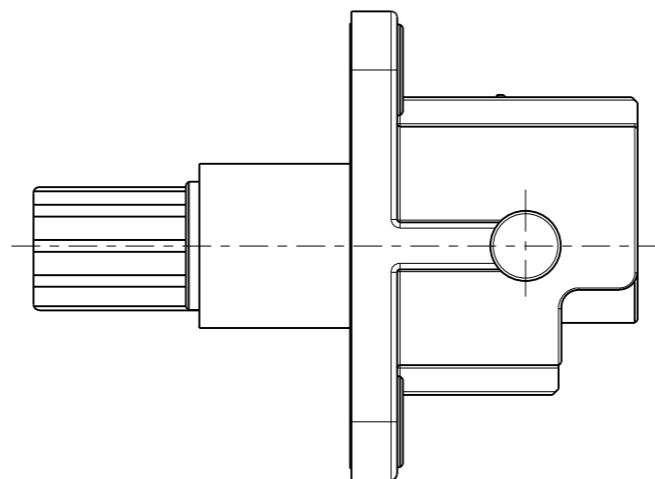
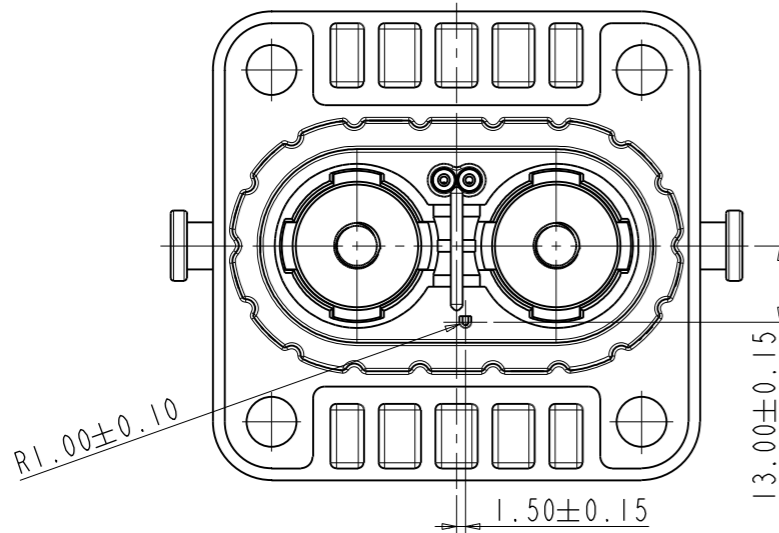
KEY A
FEATURE



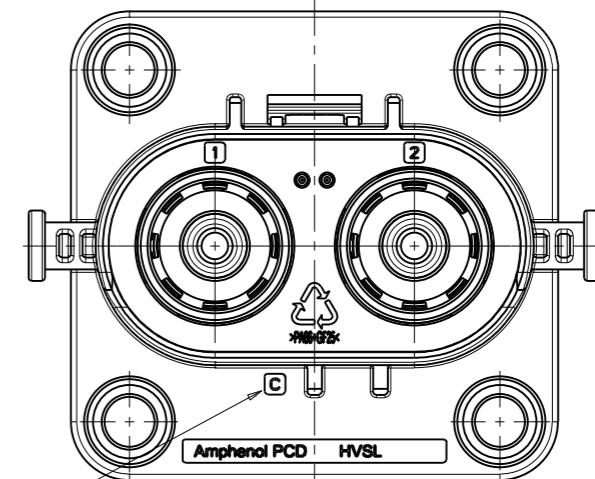
HVSL1400022BXD8S6



KEY B
FEATURE

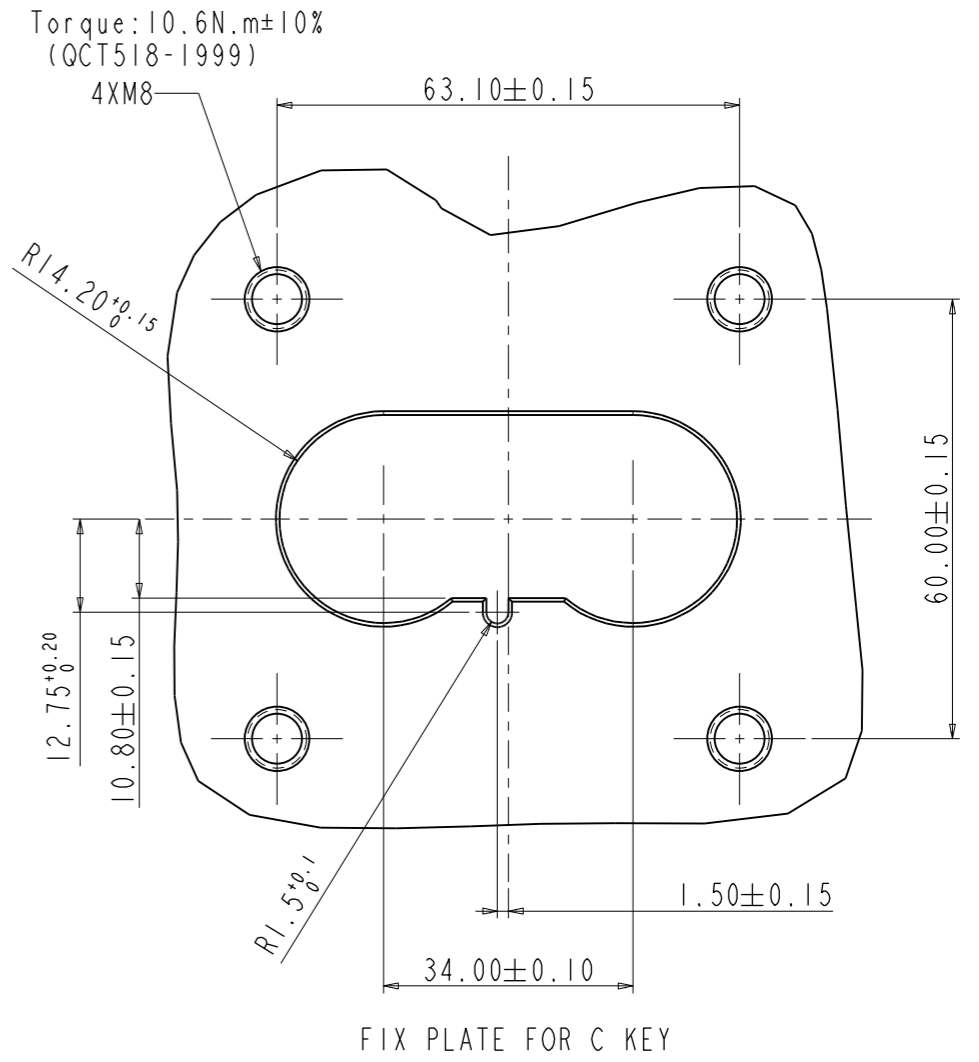
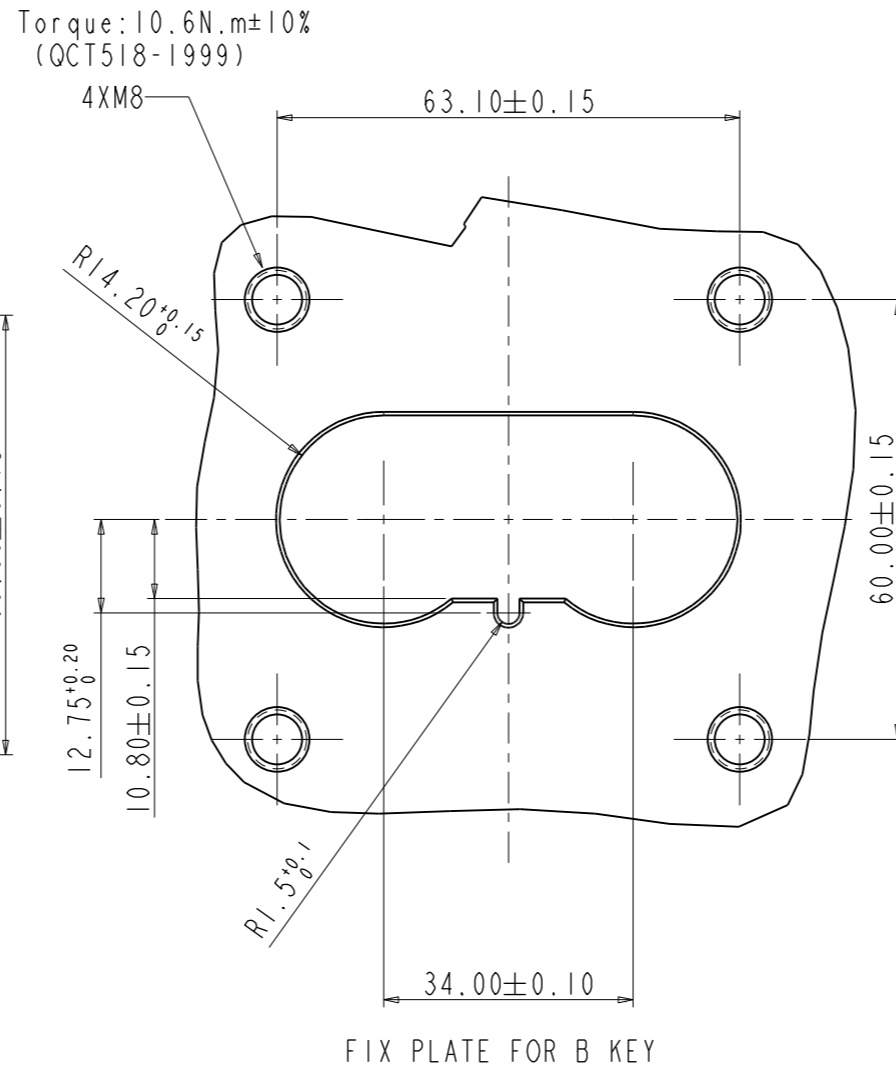
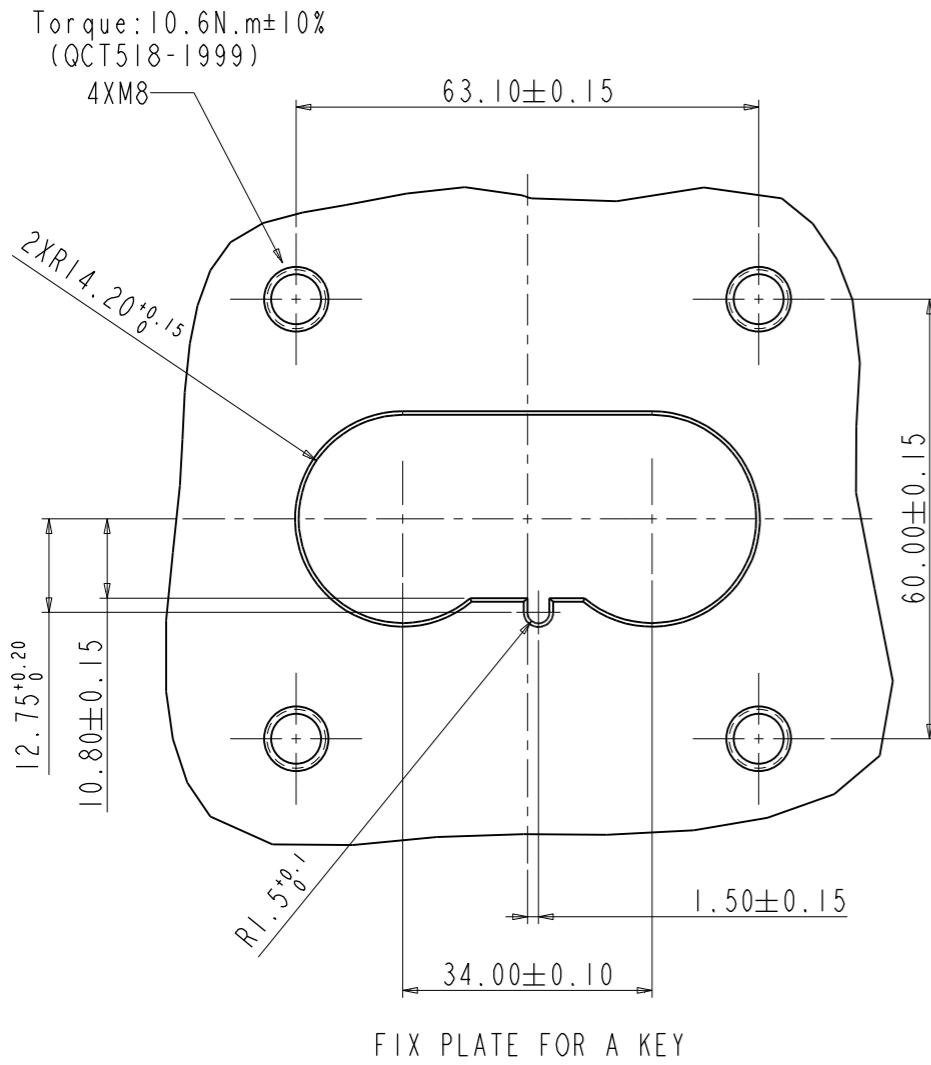


HVSL1400022CXD8S6



KEY C
FEATURE

SIZE	DWG NO.	REV
A3	C-HVSL1400022XXD8S6	1
CODE: 58982	SCALE: 1:1	SHEET 3 OF 4



SIZE	DWG NO.	REV
A3	C-HVSL1400022XXD8S6	1
CODE: 58982	SCALE: 1:1	SHEET 4 OF 4