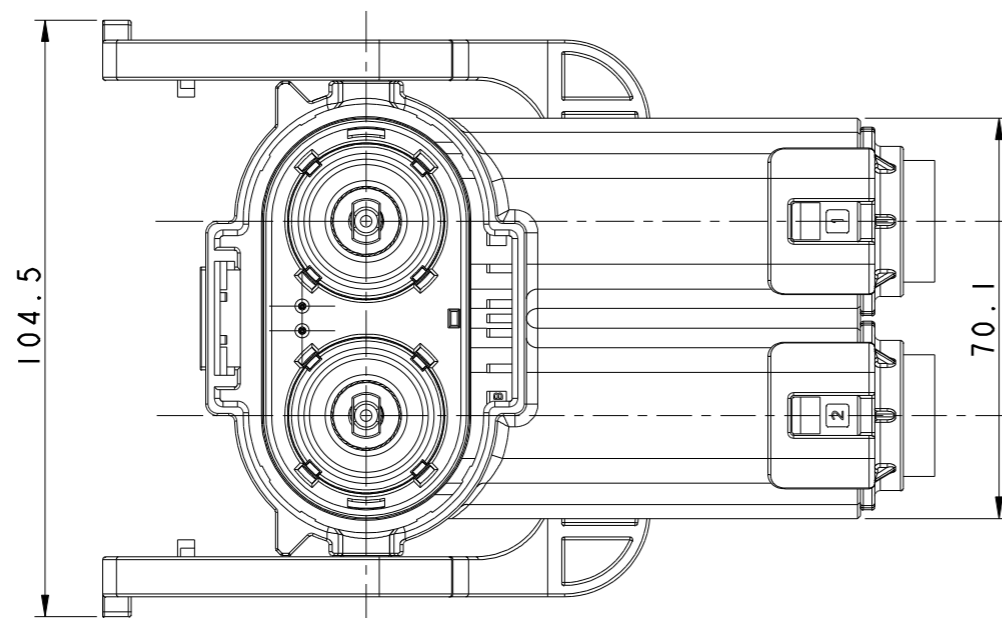
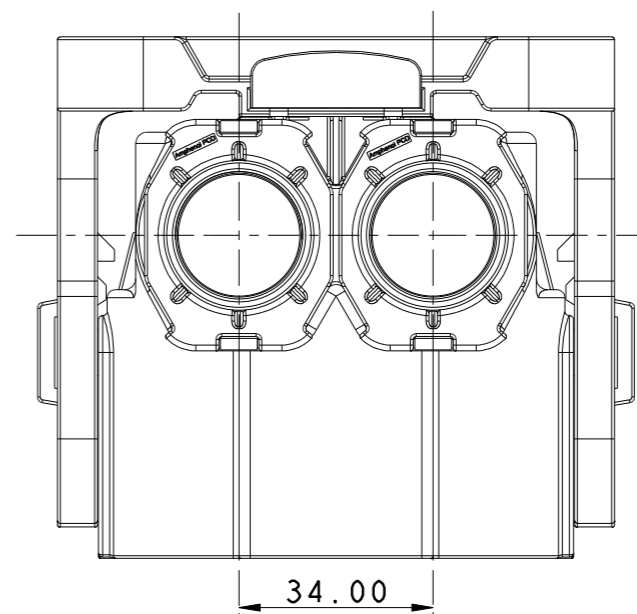
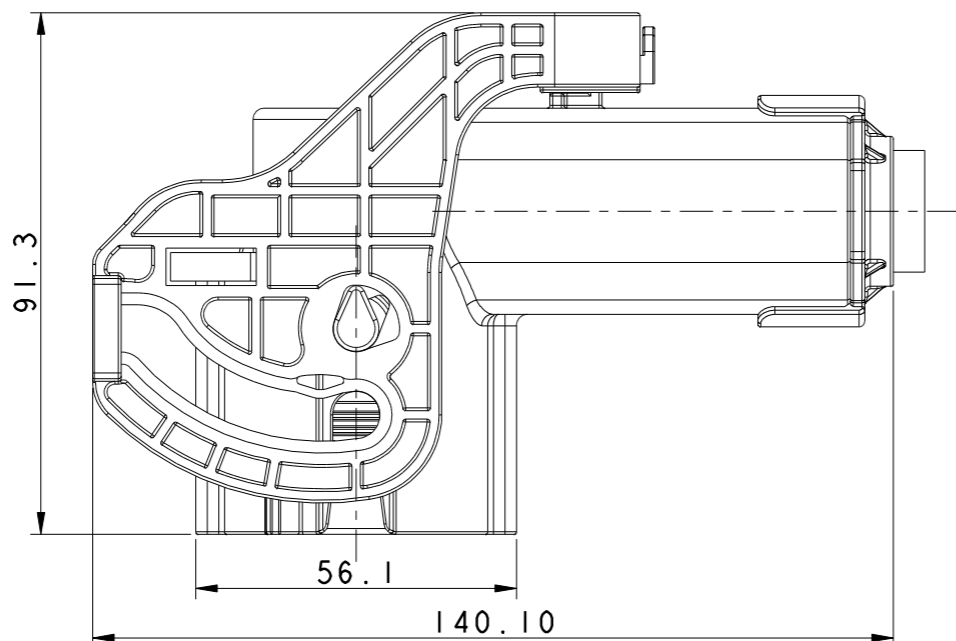


Amphenol PCDSZ
ORIGINAL
PDF Format
R&D

| REV | ECN | DESCRIPTION | DATE | MODIFIED |
|-----|-----|-----------------|-----------|----------|
| 1 | | PRE-RELEASE | May-03-17 | Tom Dai |
| 2 | | ADD KEY DRAWING | Sep-05-17 | Tom Dai |



| TECHNICAL DATA | |
|-----------------------------------------------|-----------------------|
| CURRENT RATE 95MM ² WIRE | 350A |
| CURRENT RATE 70MM ² WIRE | 250A |
| VOLTAGE RATE | 1000V DC |
| OPERRATING TEMPERATURE | -40-125°C |
| DIELECTRIC WITHSTANDING VOLTAGE | 3000V AC |
| INSULATION RESISTANCE | 2000M Ω |
| DURABILITY | 50 CYCLES |
| SHIELDING | YES |
| WATERPROOF(MATED CONDITION) | IP67 IP6K9K |
| CORROSION-PROFF GRADE(SALT FOG TEST) | 96 HOURS |
| AMBIENT TEMPERATURE | -40-70°C |
| 95mm ² CABLE SIZE(JACKET DIAMETER) | ϕ 21.3 \pm 0.6 |
| 70mm ² CABLE SIZE(JACKET DIAMETER) | ϕ 18.7 \pm 0.5 |

C-HVSL1200082X1XX

C-HVSL1200082X1XX

HVSL1200 08 2 X 1 XX

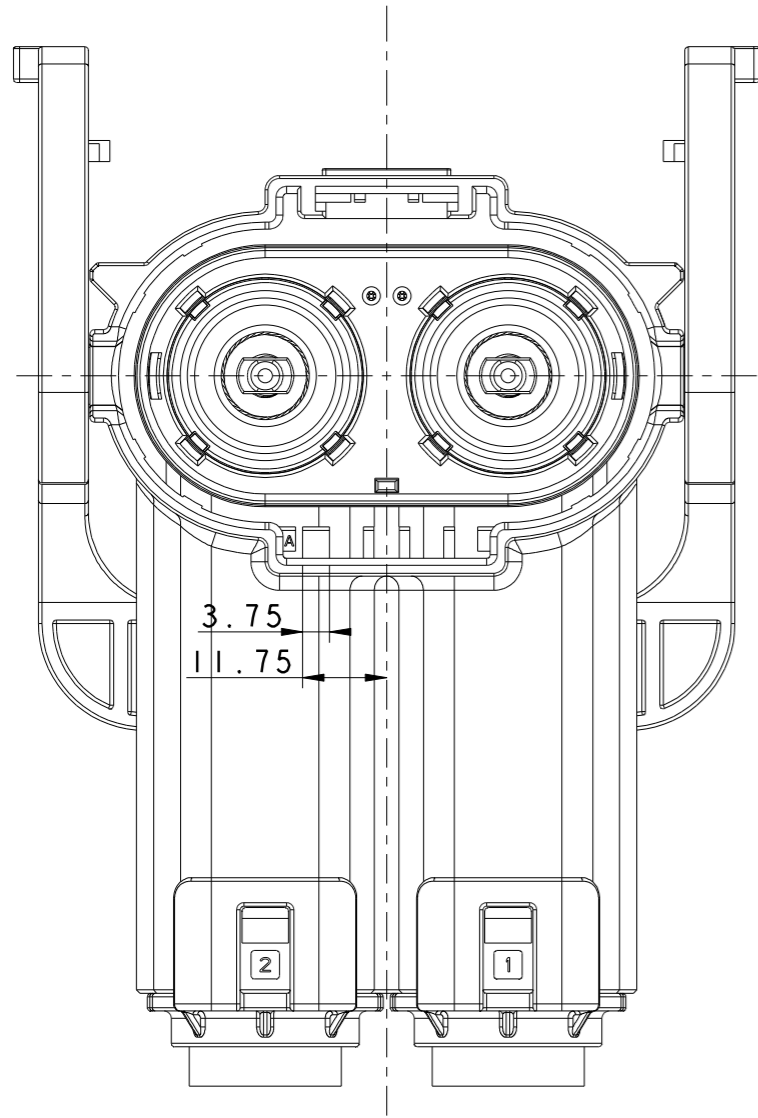
| | |
|----|-------------------------|
| 95 | 95mm ² Cable |
| 70 | 70mm ² Cable |

| | |
|---|-------|
| A | A Key |
| B | B Key |
| C | C Key |

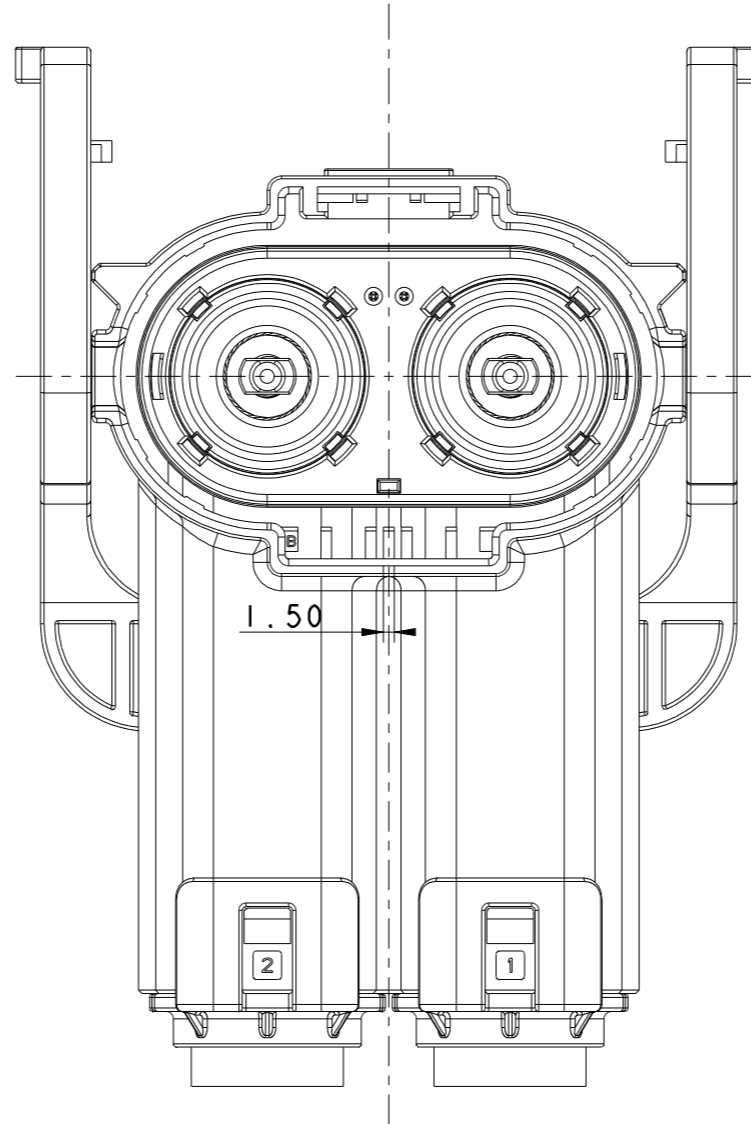
| | | | | | | | |
|-------------------------------------------------------------|-------------------------------------------------------------------------------|-----------------------|------------------------------------------------------------------------------------------------------------------------|----------------|----------------------------------|--------------|-------------|
| DIMENSIONS ANSI Y14.5M UNITS: MM Pro/E FILE | TOLERANCES .X \pm 0.5 .XX \pm 0.30 ANGLES \pm 2° | PROJECTION | Amphenol Pcd Shenzhen ENGR Tom Dai May-03-17 CHKD APPD <i>Derek</i> | | TITLE HVSL1200082X1XX | | |
| | | | ORIGINAL THIS DOCUMENT CONTAINS PROPRIETARY INFORMATION WHICH IS THE CONFIDENTIAL PROPERTY OF AMPHENOL PCD SHENZHEN | SIZE A3 | DWG NO. C-HVSL1200082X1XX | REV 2 | CODE: 58982 |

C-HVSL1200082X1XX

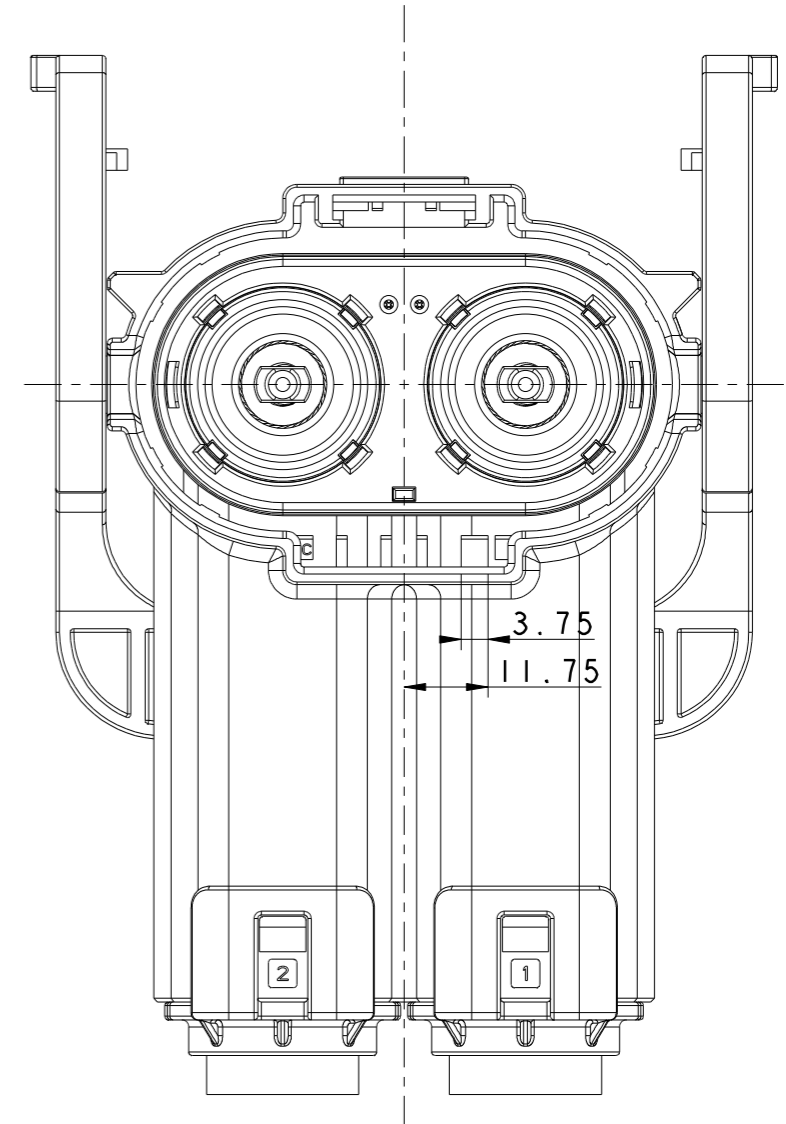
C-HVSL1200082X1XX



HVSL1200082A1XX



HVSL1200082B1XX



HVSL1200082C1XX

| | | |
|-------------|-------------------|--------------|
| SIZE | DWG NO. | REV |
| A3 | C-HVSL1200082X1XX | 2 |
| CODE: 58982 | SCALE: 4:5 | SHEET 2 OF 2 |