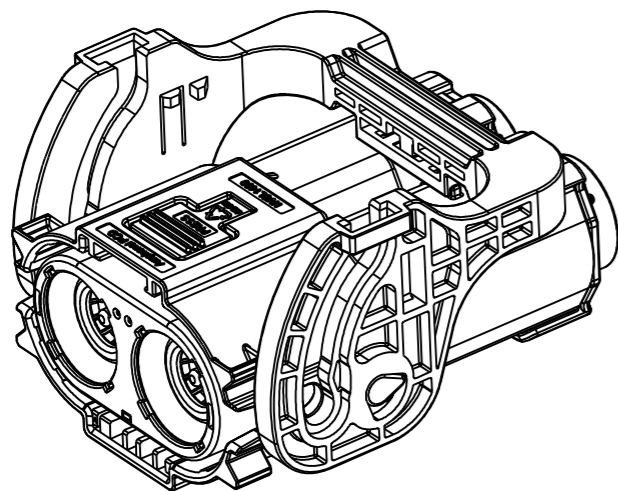


Amphenol PCD SZ
ORIGINAL
PDF Format
R&D



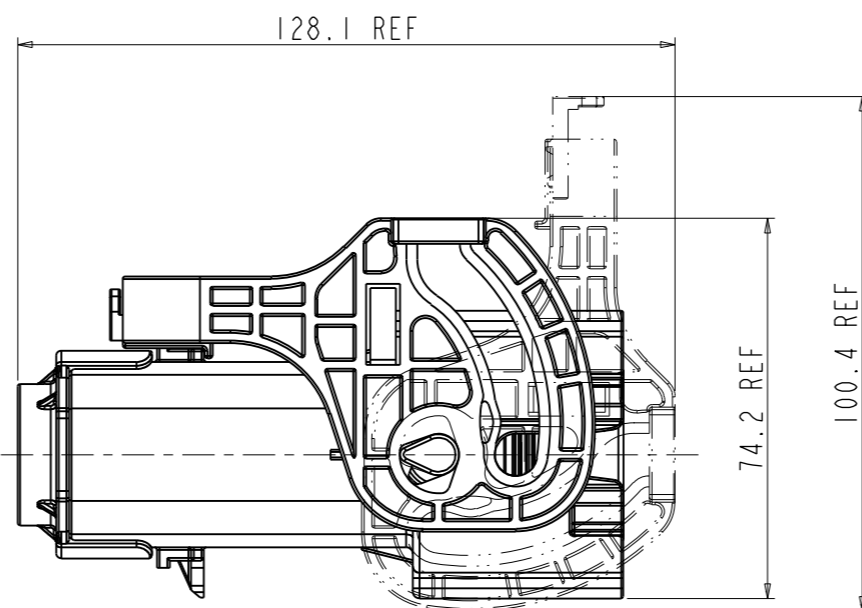
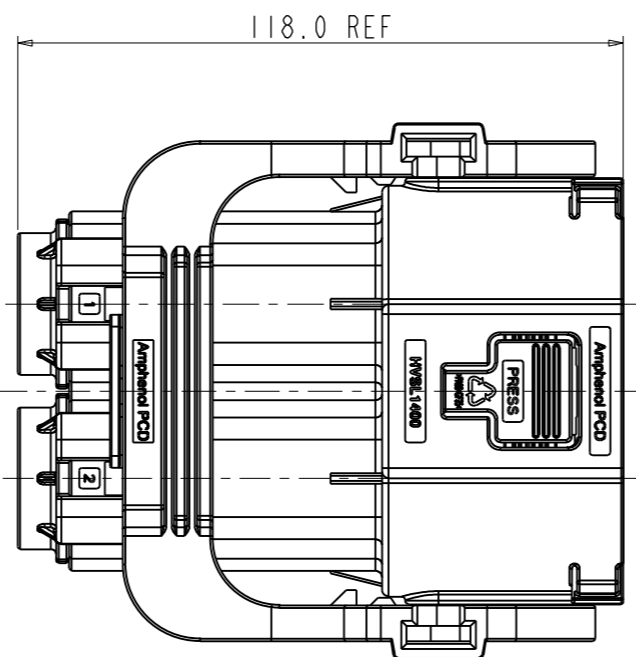
SCALE 3:5

APPLICATION:
POLLUTION DEGREE 2 / 污染等级 2
OVERVOLTAGE CATEGORY II / 过电压类别 II
INHOMOGENEOUS FIELD / 非均匀电场
ALTITUDE NO MORE THAN 2000M / 海拔不高于2000M

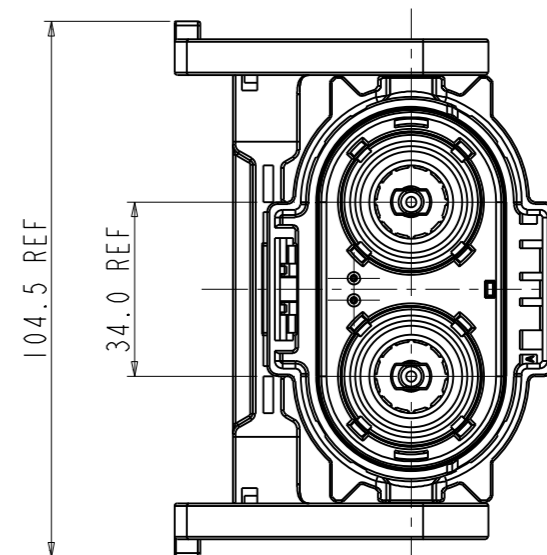
✦ IS CRITICAL CHARACTERISTIC SYMBOL
◎ IS IMPORTANT CHARACTERISTIC SYMBOL

C-HVSL1400062XXXX

TECHNICAL DATA		SPECIAL CHARACTERISTICS SYMBOL
CURRENT RATE 120mm ² WIRE	450A	✦
CURRENT RATE 95mm ² WIRE	400A	✦
CURRENT RATE 70mm ² WIRE	300A	✦
VOLTAGE RATE	1000V AC	✦
OPERRATING TEMPERATURE	-40-125°C	NA
DIELECTRIC WITHSTANDING VOLTAGE	POWER PIN:3000V AC	✦
	SIGNAL PIN:660V AC	✦
INSULATION RESISTANCE	>200M Ω (1000V DC)	✦
DURABILITY	50 CYCLES	◎
SHIELDING	YES	NA
WATERPROOF (MATED CONDITION)	IP67 IP6K9K	✦
CORROSION-PROOF GRADE(SALT FOG TEST)	96 HOURS	NA
AMBIENT TEMPERATURE	-40-70°C	NA
120mm ² CABLE SIZE(JACKET DIAMETER)	∅23.0+0/-0.8(LV216)	NA
95mm ² CABLE SIZE(JACKET DIAMETER)	∅20.9+0/-0.8(LV216)	NA
70mm ² CABLE SIZE(JACKET DIAMETER)	∅18.2+0/-0.8(LV216)	NA
SIGNAL PIN CURRENT	5A	NA



REV	ECN	DESCRIPTION	DATE	MODIFIED
1		PRE_RELEASE	Feb-16-22	E.Chen



HVSL1400 06 2 X X XX

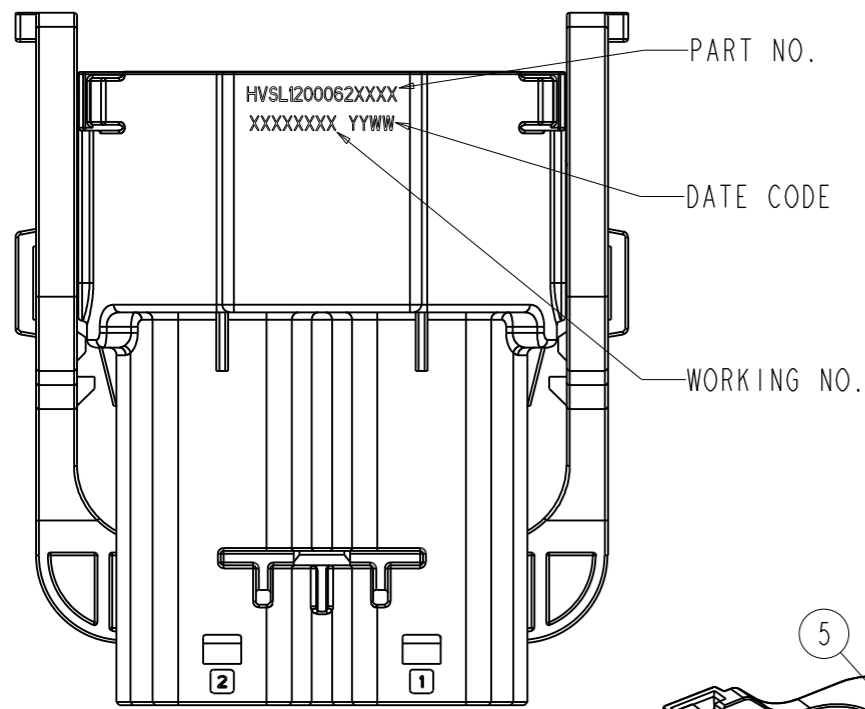
A	A Key
B	B Key
C	C Key

120	120mm ² Cable
95	95mm ² Cable
70	70mm ² Cable

0	WITHOUT HVIL
1	WITH HVIL

DIMENSIONS	TOLERANCES	PROJECTION	TITLE		
ANSI Y14.5M UNITS: MM Pro/E FILE	.X ±0.5 .XX ±0.05 ANGLES ±2°		Amphenol PCD Shenzhen		
ORIGINAL	THIS DOCUMENT CONTAINS PROPRIETARY INFORMATION WHICH IS THE CONFIDENTIAL PROPERTY OF Amphenol PCD Shenzhen Co. Ltd Amphenol PCD Shenzhen Co. Ltd RESERVES THE RIGHT TO CLARIFY THIS DRAWING		ENGR	E.Chen Feb-16-22	
			CHKD	Feb-16-22	
		APPD	SIZE	DWG NO.	REV
			A3	C-HVSL1400062XXXX	1
			CODE: 58982	SCALE: 7:10	SHEET 1 OF 3

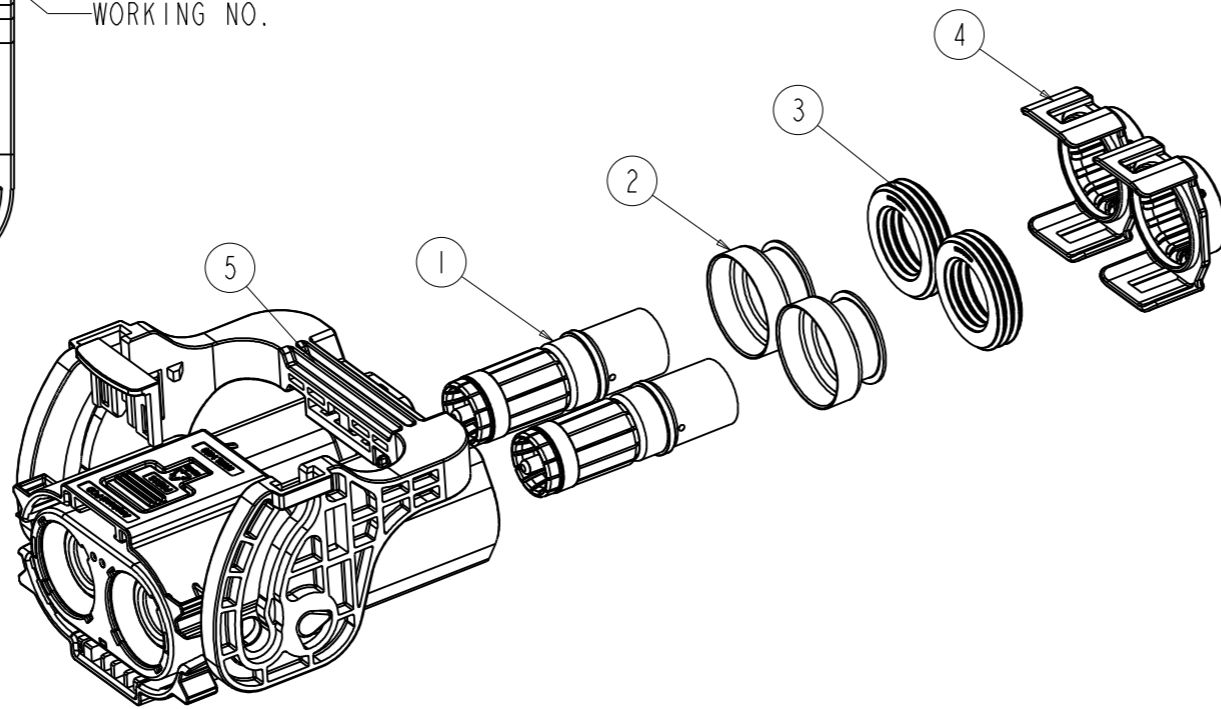
C-HVSL1400062XXXX



安费诺精密连接器(深圳)有限公司
Amphenol PCD Shenzhen

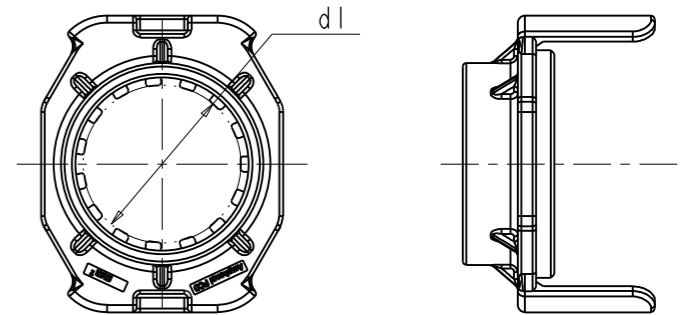
受 控 文 件

2022年2月18日



HVSL1400062XXXX				
INDEX	P/N	DESCRIPTION	QTY	REMARK
5	HVSL1400062XY (X=A,B,C;Y=0,1)	MAIN BODY	1	
4	SEE TABLE 4	PLUG END CAP	2	
3	SEE TABLE 3	CABLE SEAL	2	
2	SEE TABLE 2	SHIELD TUBE	2	
1	SEE TABLE 1	CONTACT	2	

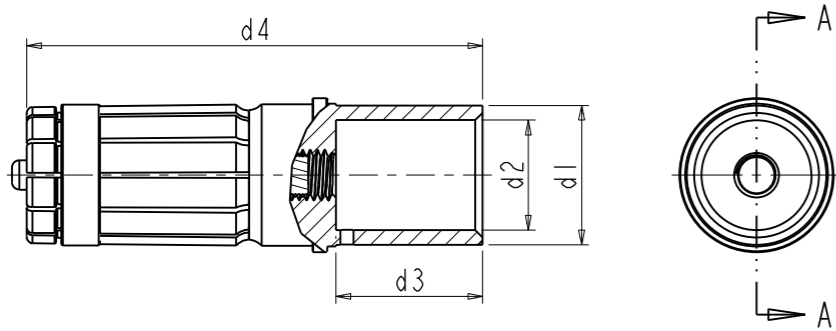
TABLE 4



P/N	WIRE SPEC	DIM d1
P01BP0036301	70mm ² Cable	∅18.8
P01BP0036302	95mm ² Cable	∅21.5
P01BP0036303	120mm ² Cable	∅23.6

C-HVSL1400062XXXX

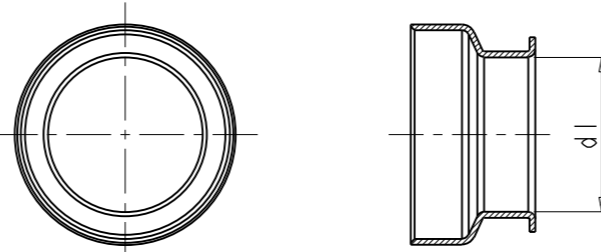
C-HVSL1400062XXXX



SECTION A-A

P/N	WIRE SPEC	DIM d1	DIM d2	DIM d3	DIM d4
P02B00015601	70mm ² Cable	∅16.0	∅12.5	18.0	59.7
P02B00015602	95mm ² Cable	∅19.0	∅15.0	20.0	61.7
P02B00015603	120mm ² Cable	∅20.5	∅16.5	22.0	63.7

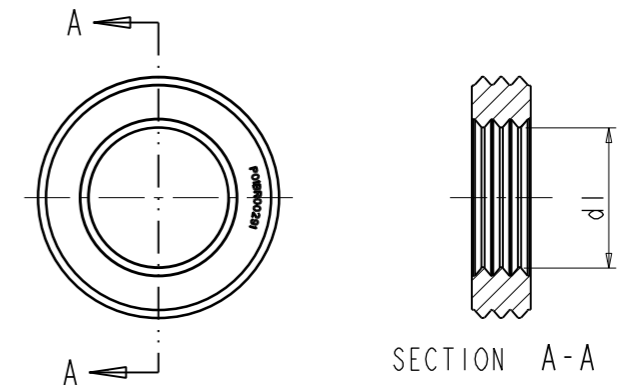
TABLE 1



SECTION A-A

P/N	WIRE SPEC	DIM d1
C31000516411	70mm ² Cable	∅19.2
C310005164	95mm ² Cable	∅21.8
P01BM00800	120mm ² Cable	∅24.0

TABLE 2



SECTION A-A

TABLE 3

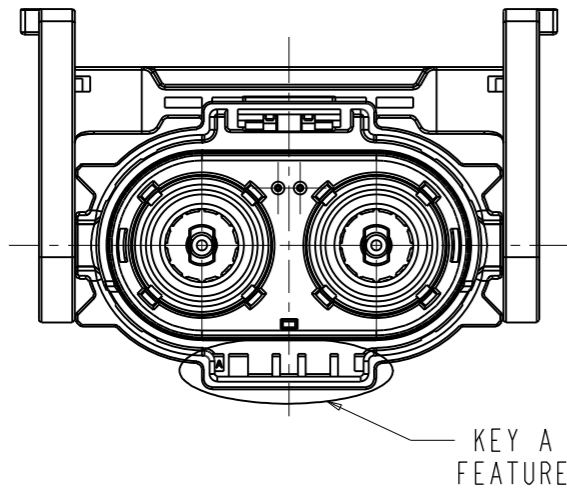
P/N	WIRE SPEC	DIM d1
P01BR00290	70mm ² Cable	∅16.3
P01BR00291	95mm ² Cable	∅19.0
P01BR00322	120mm ² Cable	∅22.1

SIZE A3	DWG NO. C-HVSL1400062XXXX	REV 1
CODE: 58982	SCALE: 9:10	SHEET 2 OF 3

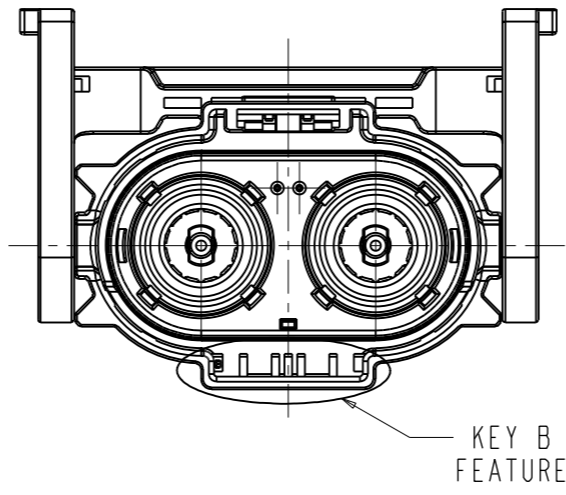
安费诺精密连接器(深圳)有限公司
Amphenol PCD Shenzhen

受控文件

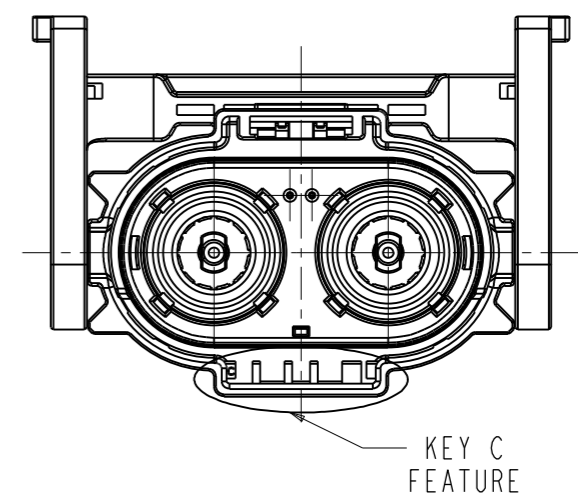
2022年2月18日



HVSL1400062AXXX



HVSL1400062BXXX



HVSL1400062CXXX

C-HVSL1400062XXXX

C-HVSL1400062XXXX

SIZE	DWG NO.	REV
A3	C-HVSL1400062XXXX	1
CODE: 58982	SCALE: 7:10	SHEET 3 OF 3